



103797341

File	696532-1	
Doc No		
Author/Action Officer		<input type="checkbox"/>

Application OWADV/6/2011

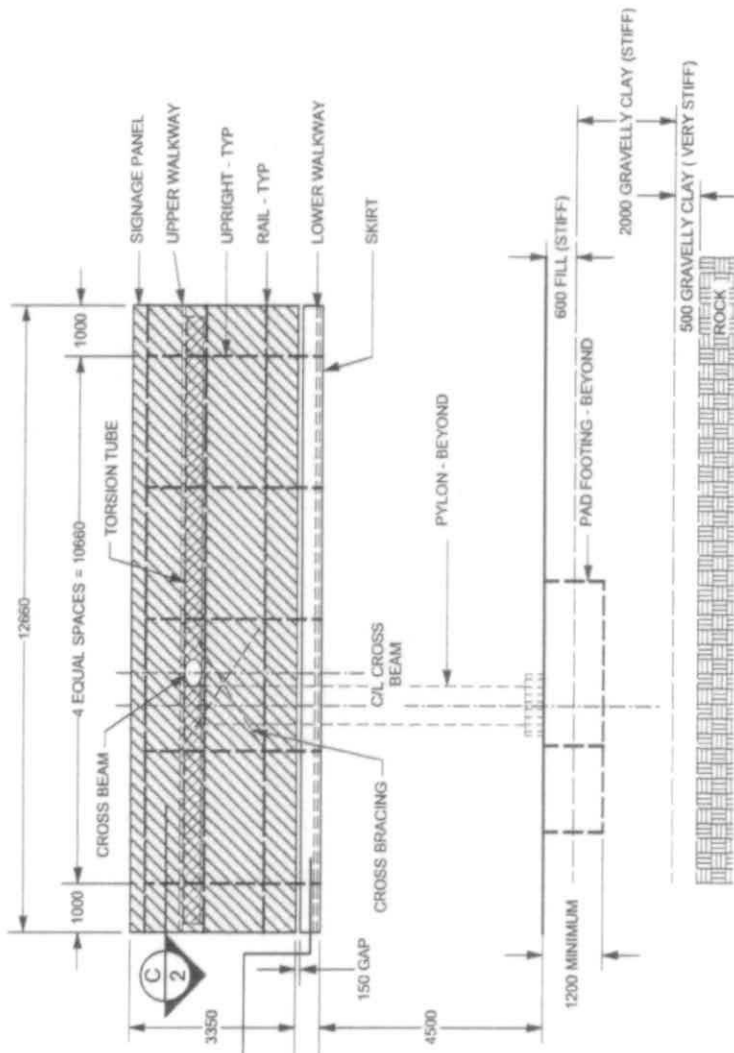
Description Proposed Plan of Development

DM File Name OWADV/6/2011 Operational Works - Illuminated Advertising Sign
BISHOPP OUTDOOR ADVERTISING

Proposal Address 22-26 Anders Street, JIMBOOMBA QLD 4280

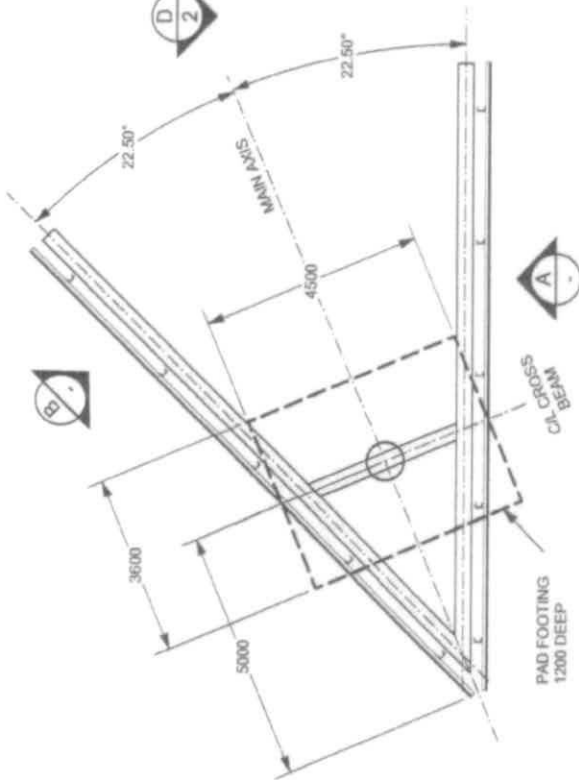
Internet Ready

Scanned Date	Received	
	Date	01-Apr-2011
	By	Tracey Baglin



ELEVATION
1:100

ELEVATION B OPPOSITE HAND



PLAN - FOOTING & OVERALL STRUCTURE LAYOUT
1:100

MEMBERS	SIZE
PYLON	762 OD X 10 THICK CHS C250
CROSS BEAM	356 OD X 9.5 THICK CHS C350
TORSION TUBES	356 OD X 9.5 THICK CHS C350
UPRIGHTS	150 X 75 PFC
RAILS	65 X 65 X 6 EA
CROSS BRACING	M16 RODS + TURNBUCKLES
SIGNAGE PANELS	TO PROPRIETARY DETAILS
SKIRTS	0.48 BMT SPANDEK OR SIMILAR
UPPER WALKWAY	GRIPSPAN 6512 OR SIMILAR
LOWER WALKWAY	GRIPSPAN 6512 OR SIMILAR

- NOTES (CONT)
- DESIGN WIND LOADINGS: REGION 8, IMPORTANCE LEVEL 2
 - REINFORCING DETAILS (SIGNAGE, CORROSION PROTECTION, WALKWAY LADDERS & ACCESS) TO BE IN ACCORDANCE WITH WIND REQUIREMENTS
 - FULLY WELD ALL CONNECTIONS WITH 8 mm OF WELDS U.K.D.
 - FOOTING IS DESIGNED TO FOUND IN STIFF GRAVELLY CLAY HAVING AN ALLOWABLE BEARING CAPACITY OF 150 kPa. DEEPEN FOOTING WITH MASS CONCRETE DOWN TO ADEQUATE MATERIALS AS REQUIRED.
- NOTES (CONT)
- CONCRETE: USE $F_y = 32$ MPa, $F_c = 25$ MPa
 - STEEL: USE A36
 - MINIMUM COVER: 75 mm
 - LAP JOINT BARS 600 MINIMUM
 - WELDS TO BE IN ACCORDANCE WITH WIND REQUIREMENTS
 - VIBRATE CONCRETE.

Project: Proposed Billboard

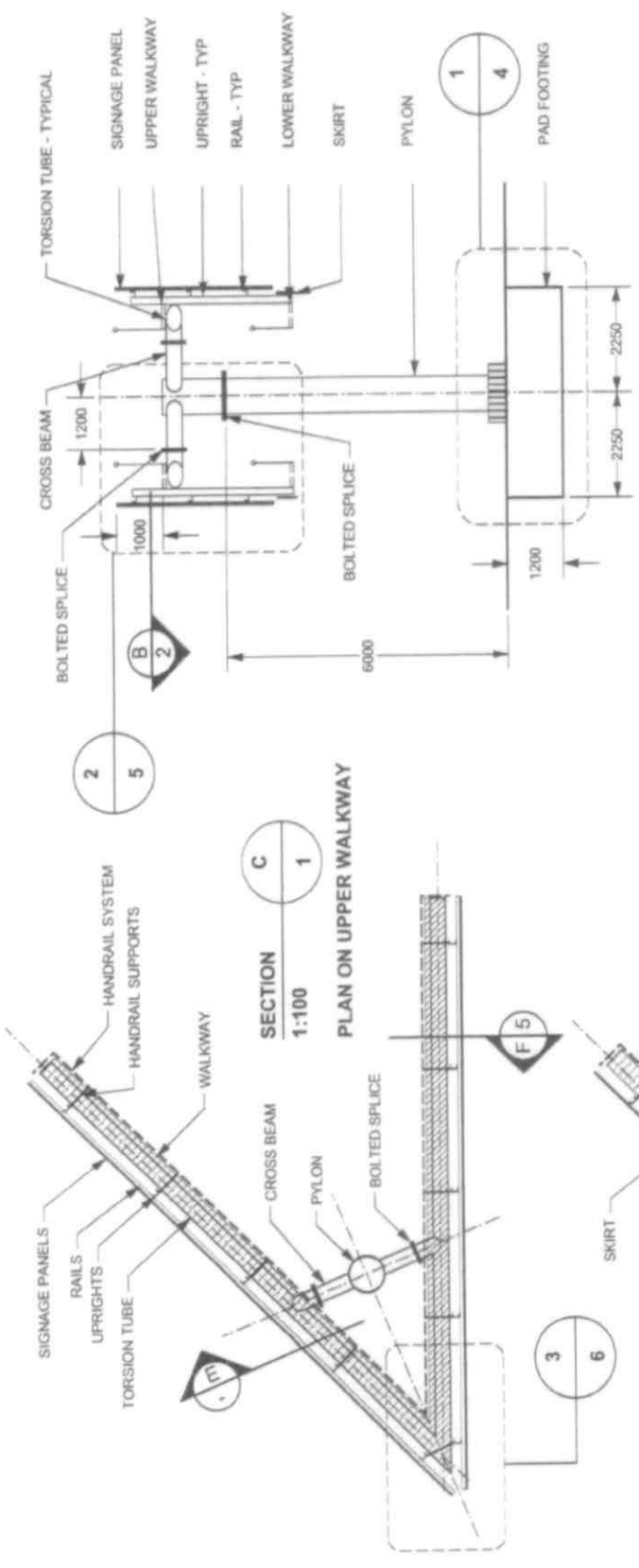
Drawing: Layout - Sheet 1

Client: Bishopp Billboard Constructions

Geoff Martin & Associates Pty Ltd - Structural Engineers
 37 Zetland Court, 100 Paddington QLD 4064
 T: (07) 3810 3600 F: (07) 3876 5811 E: gmartin@bigpond.net.au

Drawn: GM
 Date: Dec 2006
 Scale: As Noted
 Design: G. Martin
 Approved: [Signature]
 Drawing No: 6180-1
 1 of 6

PRELIMINARY 10.12.06



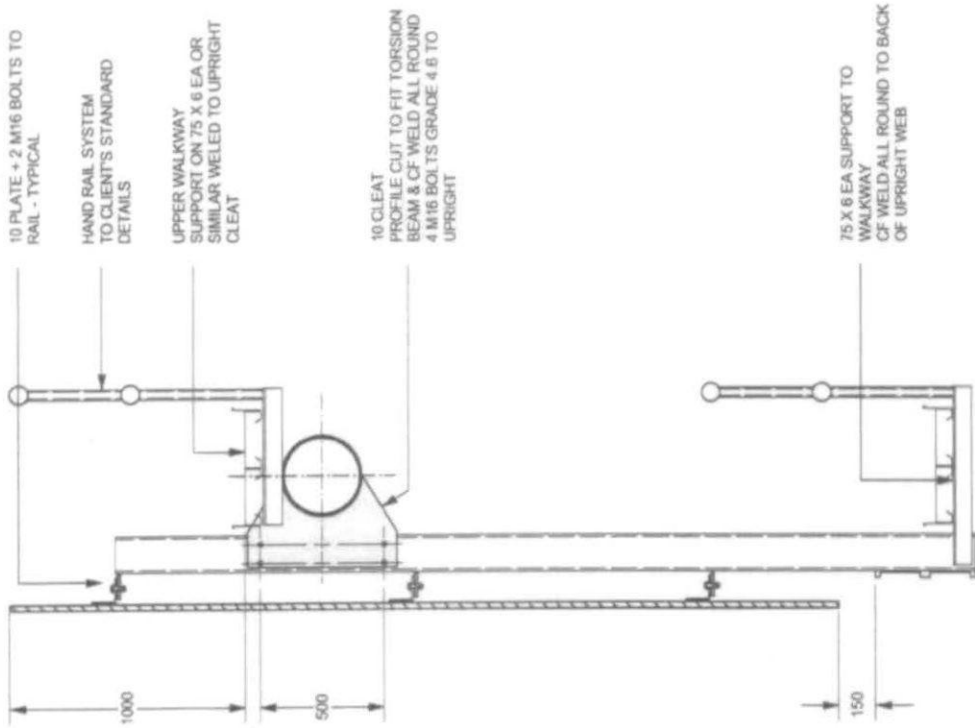
SECTION E
1:100
ELEVATION CROSS BEAM & PYLON

SECTION C
1:100
PLAN ON UPPER WALKWAY

SECTION D
1:100
PLAN ON LOWER WALKWAY

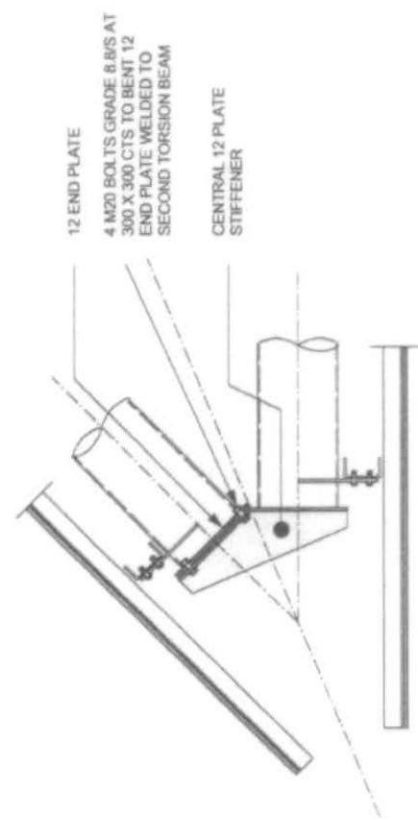
PRELIMINARY 10.12.06

Project		Proposed Billboard	
Drawn	GM	Drawing No.	6180-2
Date	Dec. 2006	Revision	A
Scale	As Shown		
Design	AS/NZS 1538 AS/NZS 1531		
Approved			
		Client	
		Bishopp Billboard Constructions	
		Geoff Martin & Associates Pty Ltd - Structural Engineers	
		13/261 Geelong Terrace, Paddington QLD 4064	
		T: (07) 3876 5900 F: (07) 3876 5911 E: gmassoc@bigpond.net.au	



SECTION F
1:20

ELEVATION - TYPICAL UPRIGHT DETAILS

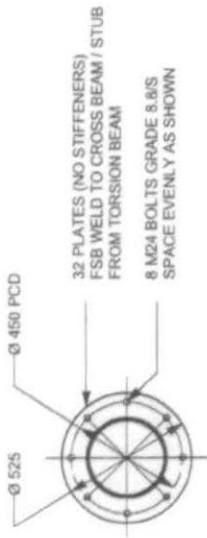


DETAIL 3
1:20

PLAN - TORSION BEAM TO TORSION BEAM

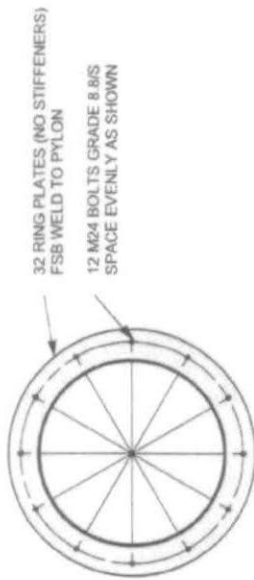
Project: Proposed Billboard		Drawn: DM	Date: Dec 2006
Drawing: Typical Torsion Beam Details		Scale: As Noted	As Noted
Client: Bishopp Billboard Constructions		Design: G. Martin	Approved: [Signature]
Geoff Martin & Associates Pty Ltd - Structural Engineers 12/261 Glenelg Terrace, Perth WA 6001 T: (08) 9479 5888 F: (08) 9476 9111 E: gmassoc@bigpond.net.au		Drawing No: 6180-6	Revision: A
Issue: A	Client: Details	Date: 08.12.06	

PRELIMINARY 10.12.06



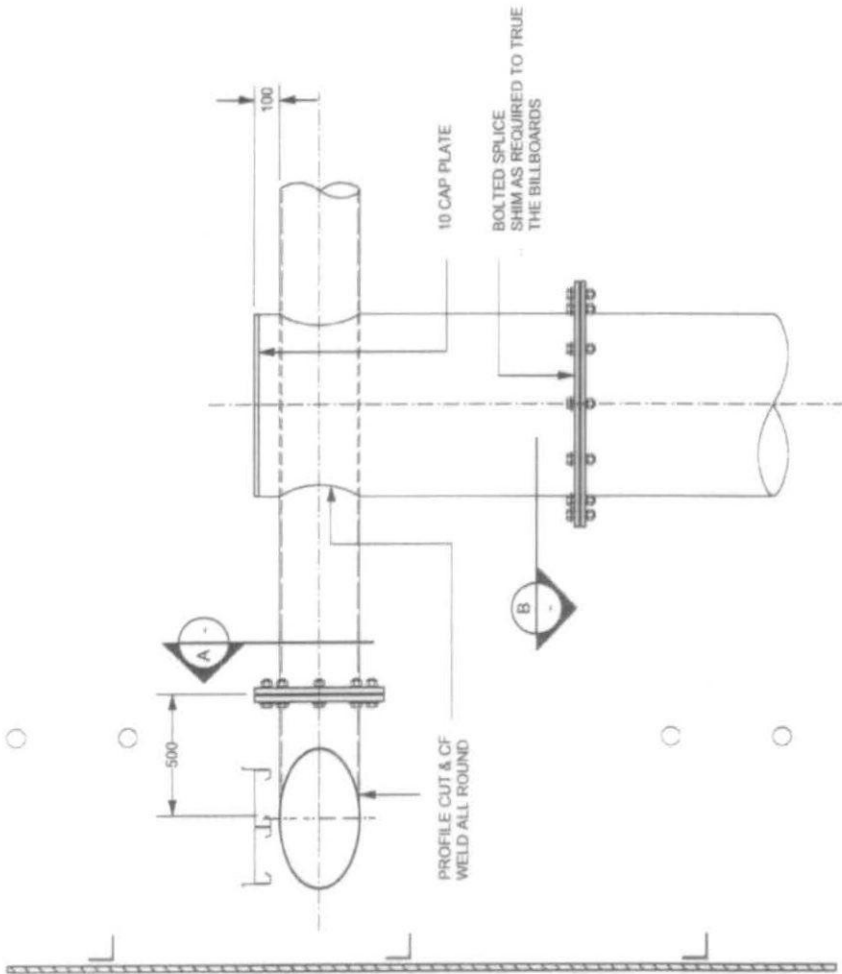
SECTION
1:20

ELEVATION - CROSS BEAM SPLICE PLATE



SECTION
1:20

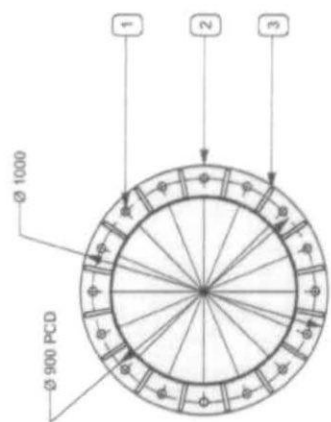
PLAN - PYLON SPLICE PLATE



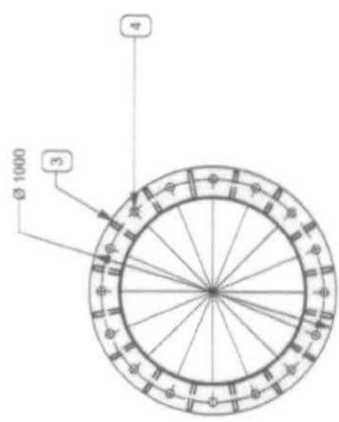
DETAIL
1:20

Project		Proposed Billboard		Drawn	UM
Client	Geoff Meritt & Associates Pty Ltd	Date	Dec 2006	Scale	
Drawn	13/10/06	Design		Approved	
Checked	A	Client		Drawing No.	6180-5
Date	06.12.06	Details		Revision	A
Title		Typical Cross Beam Details & Pylon Splice Bishopps Billboard Constructions Geoff Meritt & Associates Pty Ltd - Structural Engineers 13/10/06 T: (07) 3876 5000 F: (07) 3876 5011 E: gmaasoc@bigpond.net.au			

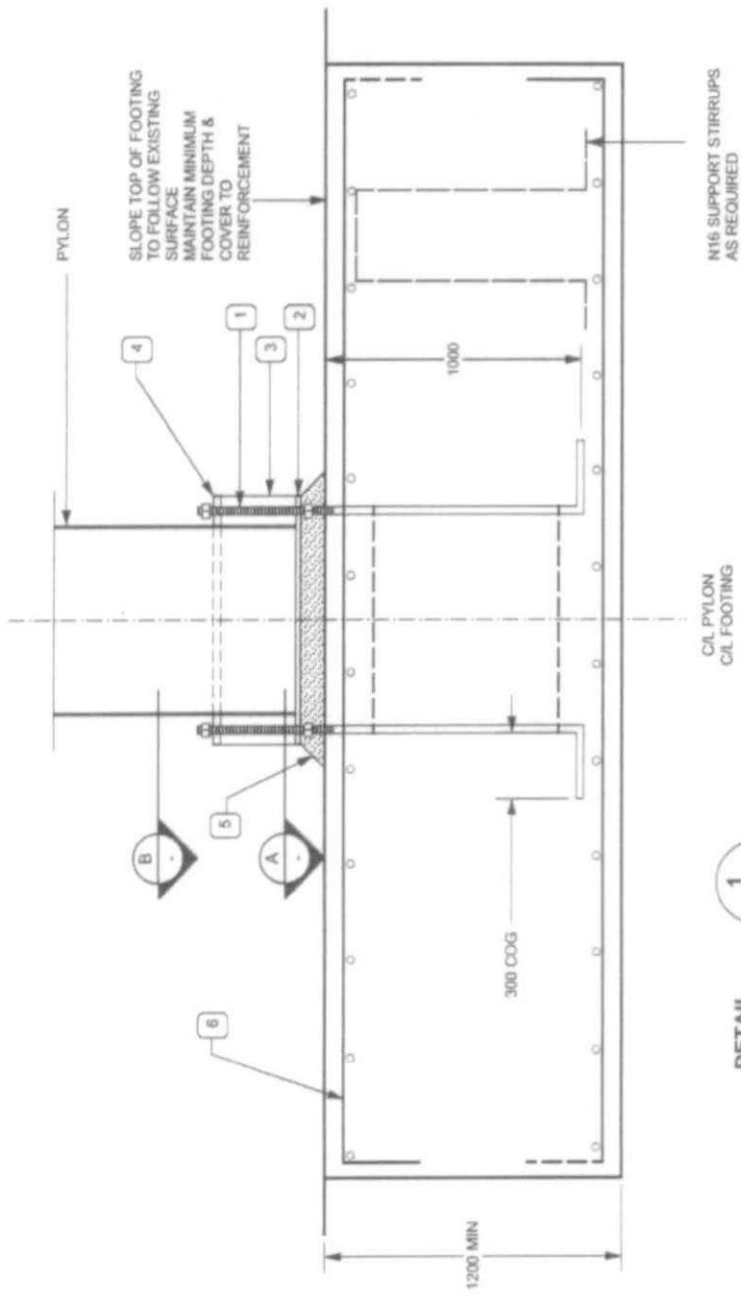
PRELIMINARY 10.12.06



SECTION A
1:20
PLAN ON BASE PLATE



SECTION B
1:20
PLAN ON RING PLATE



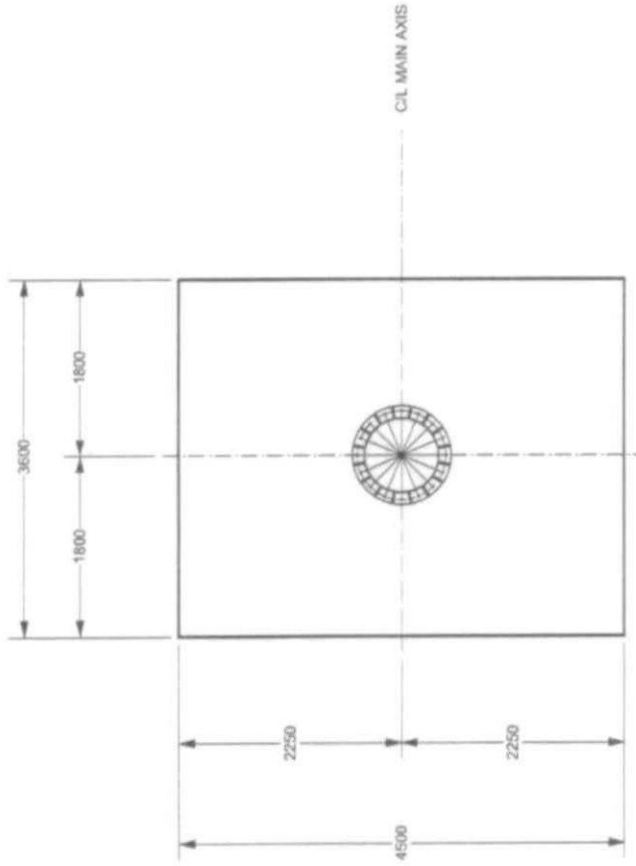
DETAIL 1
1:20

- MEMBERS**
1. HD BOLTS - 16 M20 GRADE 4.6
HD GALVANISED & CAGED
SPACED EVENLY AS SHOWN
 2. BASE PLATE - 20 THICK
 3. STIFFENER PLATES - EX 110 X 16 FLAT
SPACE EVENLY BETWEEN BOLTS AS SHOWN
 4. RING PLATE - 32 THICK
 5. NOMINAL 75 DRY PACKED GROUT
 6. N20 - 400 EACH WAY TOP & BOTTOM

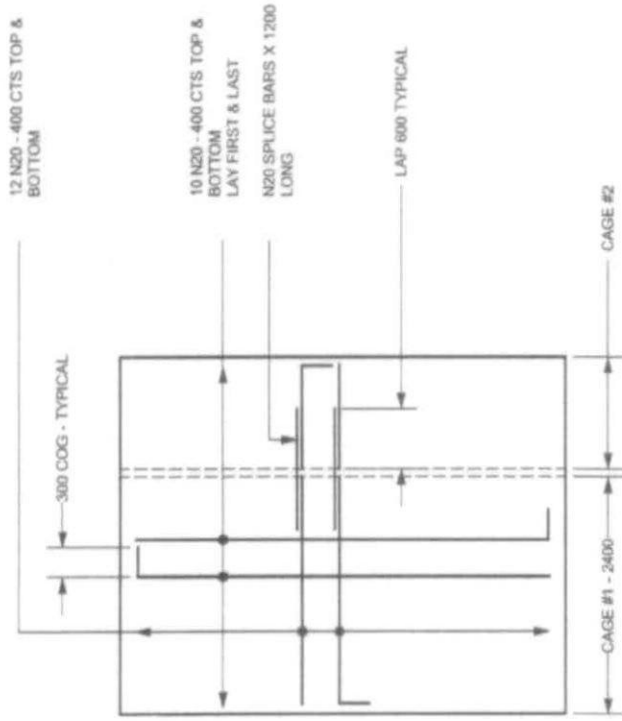
Drawn	GM
Date	Dec 2006
Scale	As Noted
Design	ES/MS/MS MPO/1201
Approved	 Geoff Martin
Drawing No.	6180-4
Sheet No.	4 of 6

Project	Proposed Billboard
Location	Pylon Base Details & Footing Section
Client	Bishopp Billboard Constructions
Engineer	Geoff Martin & Associates Pty Ltd 13 / 261 Glen Tce Priddlington Cld 4054 T: (07) 3876 5900 F: (07) 3876 5811 E: gmaasoc@bigpond.net.au
Date	10.12.06
Sheet	A
Details	

PRELIMINARY 10.12.06



PLAN - FOOTING LAYOUT
1 : 50



PLAN - FOOTING REINFORCEMENT
1 : 50

PRELIMINARY 10.12.06

Project		Proposed Billboard	
Drawing	Footing Layout & Reinforcement		
Client	Bishopp Billboard Constructions		
Geoff Martin & Associates Pty Ltd - Structural Engineers 13 / 201 Given Tce Paddington, Qld 4004 T: (07) 3876 5900 F: (07) 3876 5911 E: gma@geocad.com.au			
Scale	GM	Drawn	GM
Design	DA Unkled	Date	Dec 2006
Approved	AS Unkled	Scale	AS Unkled
Drawing No.	6180-3	Design	AS Unkled
Sheet No.	1 of 4	Approved	AS Unkled