

Client FRASERS
Project ROUND MOUNTAIN
Date 09/12/2025

Proposed 5x2m Billboard Site:
99 Pennine Drive,
South Maclean.

Issue 01
 Drawn CB
 Checked SH
 Page 1 OF 3

Revisions
Date **Description**
 09/12/2025 First Issue

Issue
 01

Drawing No.
 CB_091225a



©Copyright. Only to be used for manufacture once approval has been issued. May not be to scale. If in doubt consult an authorised representative of Sunset Signs for approval. Contractors shall verify all critical dimensions in factory prior to manufacture & onsite prior to installation. Unauthorised reproduction or disclosure of the whole or part of this document constitutes an infringement of copyright.



Client FRASERS
Project ROUND MOUNTAIN
Date 09/12/2025

Proposed 5x2m Billboard Site:
99 Pennine Drive,
South Maclean.

Issue 01
 Drawn CB
 Checked SH
 Page 2 OF 3

Revisions
Date 09/12/2025
Description First Issue

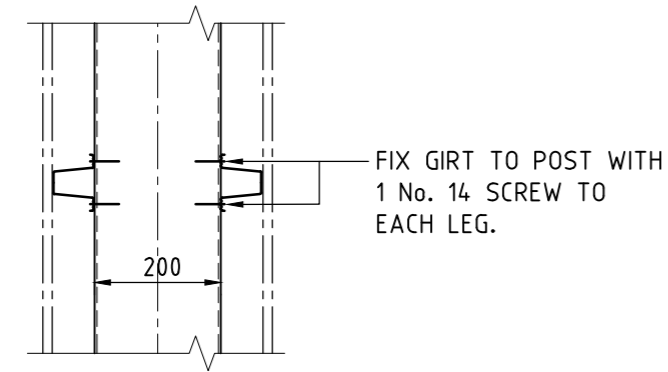
Issue
 01

Drawing No.
 CB_091225a

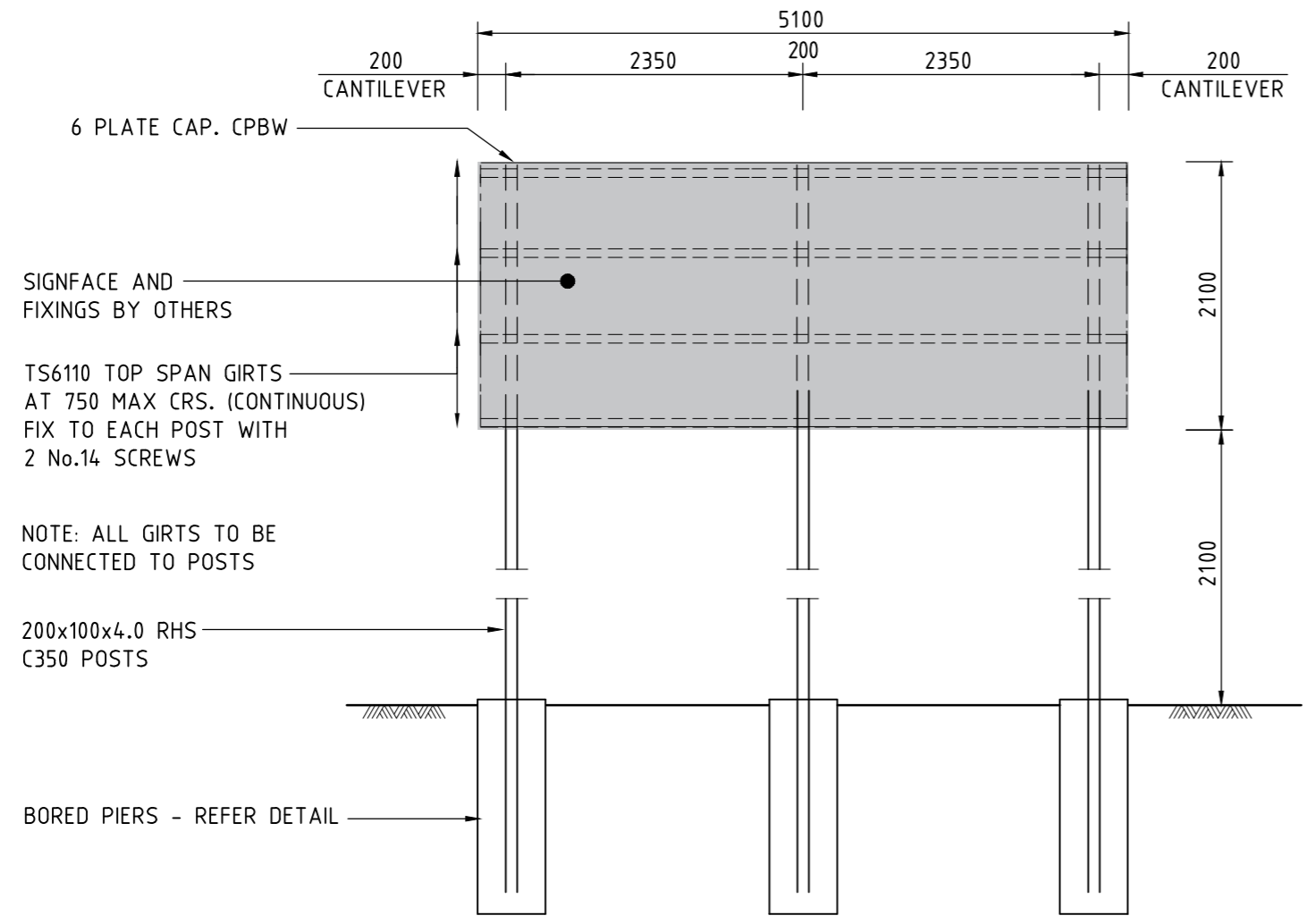


07 3801 2700
 sunsetsigns.com.au
 info@sunsetsigns.com.au
 10-12 Union Circuit, Yatala Q4207
 ABN 31 151 349 209

©Copyright. Only to be used for manufacture once approval has been issued.
 May not be to scale. If in doubt consult an authorised representative of Sunset Signs for approval.
 Contractors shall verify all critical dimensions in factory prior to manufacture
 & onsite prior to installation. Unauthorised reproduction or disclosure of the whole
 or part of this document constitutes an infringement of copyright.



TYPICAL GIRT FIXING
SCALE 1:10



SIGN FRONT ELEVATION
SCALE 1:50

STRUCTURAL STEELWORK

1. FABRICATE AND ERECT ALL STRUCTURAL STEELWORK IN ACCORDANCE WITH AS 1554, AS 4100 AND AS 1252.
2. VERIFY ALL SETTING OUT DIMENSIONS FROM THE ARCHITECTURAL DRAWINGS.
3. DO NOT OBTAIN DIMENSIONS BY SCALING THE STRUCTURAL ELEMENTS.
4. UNLESS OTHERWISE NOTED USE - 10 mm THICK GUSSET, FIN AND END PLATES. M16 8.8/S BOLTS, ALL HOT DIP GALV. BOLTS SO MARKED MAY BE 8.8/TF 6mm CONTINUOUS FILLET WELD MADE WITH E 48 xx MILD STEEL ELECTRODES.
5. CPBW DENOTES COMPLETE PENETRATING BUTT WELD CFW DENOTES CONTINUOUS FILLET WELD ALL WELDS CATEGORY STRUCTURAL PURPOSE (SP) UNLESS NOTED OTHERWISE.
6. PROVIDE TEMPORARY BRACING AS TO STABILISE THE STRUCTURE.
7. CORROSION PROTECTION AND SURFACE FINISH IS TO BE AS AGREED WITH OWNER. - TOUCH UP AFTER ERECTION TYPICAL.
8. IF IN DOUBT ASK.

COLD FORMED SECTIONS

1. COLD FORMED SECTIONS SHALL COMPLY WITH AS 1397, AS 4600, AS 1594 AND AS 1595
2. MILD STEEL YIELD STRESSES: PURLINS AND GIRTS - 450 MPa OTHER SECTIONS - 250MPa
3. ALL SECTIONS UP TO 250mm IN DEPTH SHALL HAVE A MINIMUM HOT DIPPED ZINC COATING THICKNESS OF 275gms/sq.m AND SECTIONS OF GREATER DEPTH A MINIMUM COATING THICKNESS OF 450gms/sq.m.
4. ALL LAPS AND BRIDGING TO PURLINS AND GIRTS SHALL BE IN ACCORDANCE WITH THE MANUFACTURERS INSTRUCTIONS.

NOTE:
FOOTINGS DESIGNED TO FOUND INTO SOUND NATURAL GROUND HAVING A MINIMUM ALLOWABLE BEARING CAPACITY OF 100kPa. CONFIRM ON SITE

DESIGN LOADS

WIND - REG. B - TC2
DESIGN WORKING LIFE - 5 YEARS
IMPORTANCE LEVEL 1

FOOTING DESIGN

FOOTING DESIGN TO FOUND INTO SOUND NATURAL MATERIAL HAVING A MINIMUM ALLOWABLE BEARING PRESSURE OF 100kPa. CONFIRM ON SITE.

GENERAL

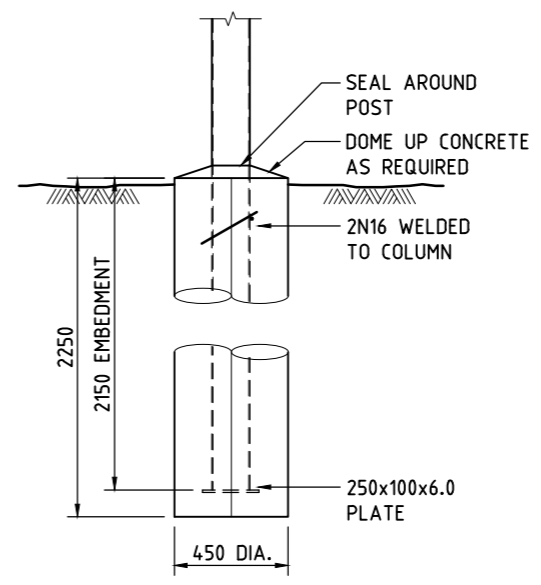
1. CARRY OUT ALL WORK IN ACCORDANCE WITH THE REQUIREMENTS OF THE RELEVANT SAA CODES.
2. VERIFY ALL SETTING OUT DIMENSIONS WITH THE ARCHITECT OR DESIGNER.
3. DO NOT OBTAIN DIMENSIONS BY SCALING THE STRUCTURAL ELEMENTS.
4. IN CASE OF DOUBT - ASK.

CONCRETE

1. ALL CONCRETE WORK IS TO BE IN ACCORDANCE WITH THE REQUIREMENTS OF AS 3600.
2. PARTICULAR ATTENTION IS TO BE PAID TO THE CURING OF EXPOSED CONCRETE.
3. ALL CONCRETE IS TO BE VIBRATED.
4. SAMPLE AND TEST CONCRETE IN ACCORDANCE WITH AS 3600.
5. CONCRETE STRENGTHS TO BE AS LISTED BELOW.- FOOTINGS - 25MPa
6. SLUMP 70mm - MAX. AGGREGATE 20 mm.

REINFORCEMENT

1. FIX REINFORCEMENT AS SHOWN ON DRAWINGS. THE TYPE AND GRADE ARE INDICATED BY SYMBOLS SHOW BELOW FOLLOWED BY A NUMBER DENOTING THE BAR DIAMETER IN mm - N - DENOTES 500N BAR TO AS 4671 S - DENOTES STRUCTURAL GRADE DEFORMED BAR R - DENOTES STRUCTURAL GRADE PLAIN ROUND BAR SL - DENOTES HARD DRAWN WIRE FABRIC.
2. LAPS IN REINFORCEMENT TO BE FULL TENSION LAPS EXCEPT AS OTHERWISE NOTED.
3. REINFORCEMENT TO BE ADEQUATELY CHAired TO MAINTAIN SPECIFIED COVERS - MAXIMUM CHAIR SPACING TO BE 800 mm. PROVIDE ADDITIONAL SUPPORT BARS IF NECESSARY TO MAINTAIN COVERS.
4. SUPPORT BARROR RUNS AND PUMP LINES CLEAR OF REINFORCEMENT.
5. UNLESS NOTED OTHERWISE ON DRAWINGS, CONCRETE COVER TO REINFORCEMENT TO BE AS LISTED BELOW: FOOTINGS - 50mm MIN. ALL ROUND



FOOTING DETAIL
SCALE 1:20

Rev.	-	-	-
Client	SUNSET SIGNS		
Project	99 PENNINE DRIVE, SOUTH MACLEAN.		
Subject	SIGN FRAME AND FOOTING DETAIL		
LAURIE OAR & ASSOCIATES PTY. LTD. CONSULTING CIVIL & STRUCTURAL ENGINEERS 22 MARTIN STREET A.B.N. 19 198 205 906 NERANG QLD 4211 PH. (07) 5527 2288 Admin@oarengineers.com.au FAX. (07) 5527 3388			
Date	Design	Drawn	Checked
May-23	L.O	K.K	LAURENCE OAR
Job No.	Scale	BEng (Hons) MIEAust CPEng NER IntPE (Aust)	
23-251	A3	<i>Laurence Oar</i>	
DRG. No.	Reg. No.	RPEQ 2011 QLD	
S01			

Client FRASERS
Project ROUND MOUNTAIN
Date 09/12/2025

Proposed 5x2m Billboard Site:
99 Pennine Drive,
South Maclean.

Issue 01
Drawn CB
Checked SH
Page 3 OF 3

Revisions
Date 09/12/2025 Description First Issue

Drawing No. CB_091225a
Issue 01

07 3901 2700
sunsetsigns.com.au
info@sunsetsigns.com.au
10-12 Union Circuit, Yatala Q4207
ABN 31 151 349 209

©Copyright. Only to be used for manufacture once approval has been issued. May not be to scale. If in doubt consult an authorised representative of Sunset Signs for approval. Contractors shall verify all critical dimensions in factory prior to manufacture & onsite prior to installation. Unauthorised reproduction or disclosure of the whole or part of this document constitutes an infringement of copyright.