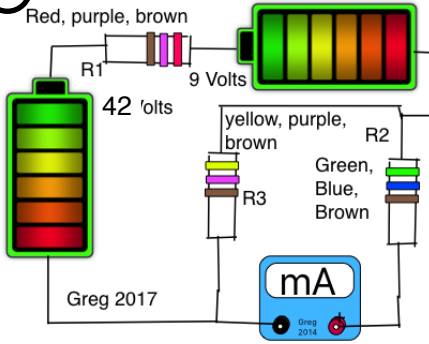


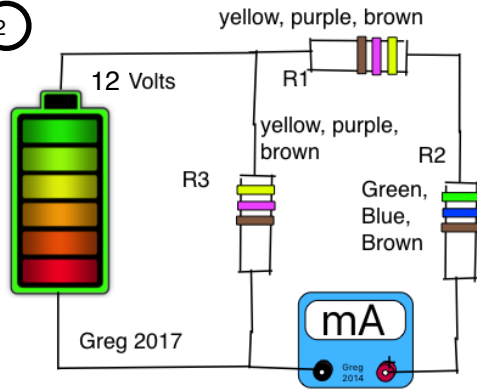
1 QUIZ 5 trial, Wk 6, 10 MARKS



The power dissipated by R1 in the above circuit is:

- A. 1.06W
- B. 330mW
- C. 1.43mW
- D. 932mW

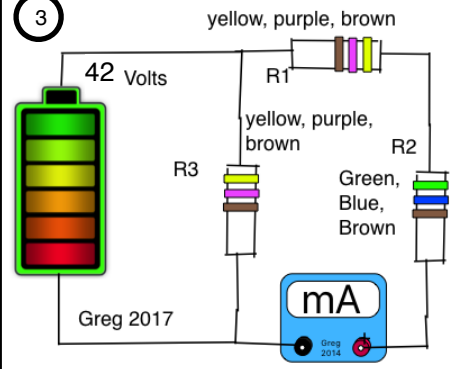
2



The Total resistance the battery sees is:

- A. 264Ω
- B. 323Ω
- C. 279Ω
- D. 379Ω

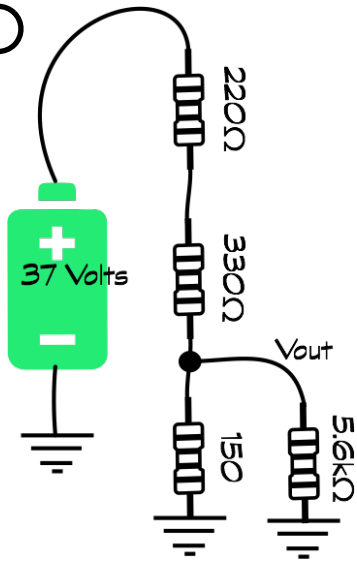
3



The current meter will read:

- A. 16mA
- B. 38mA
- C. 41mA
- D. 23mA

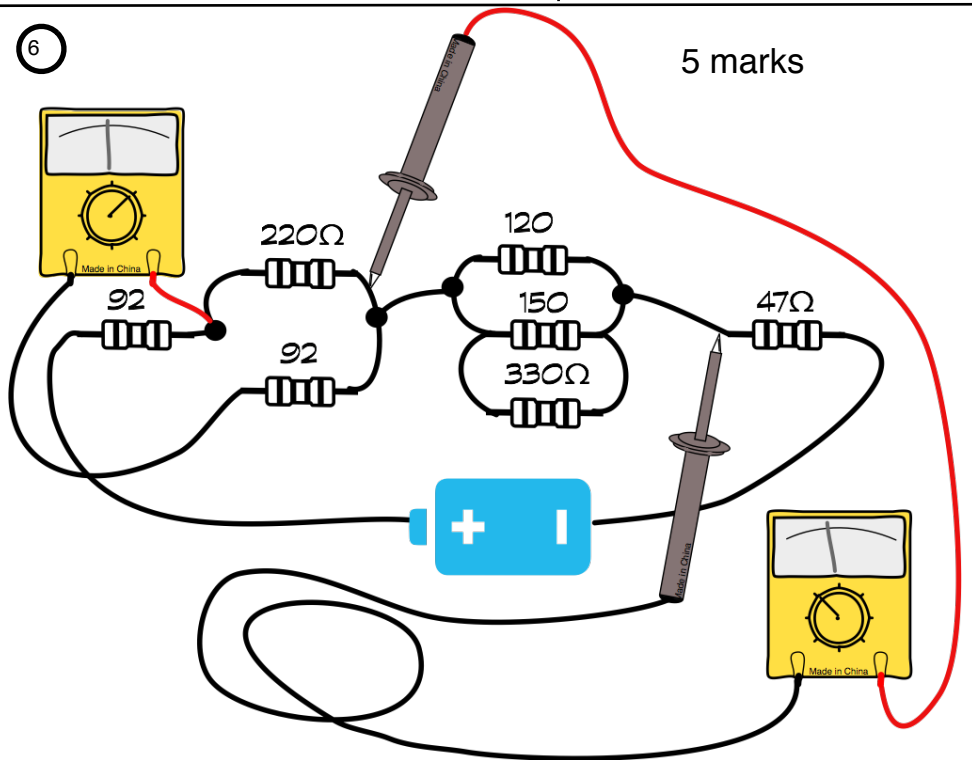
4



Vout =

6

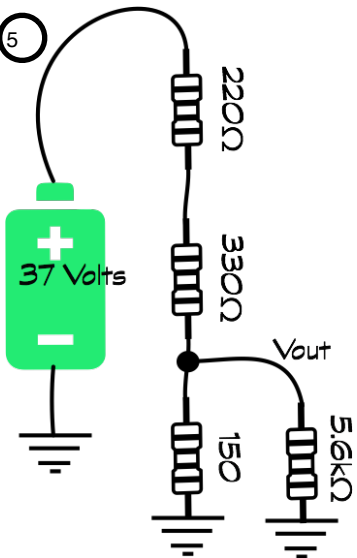
5 marks



The current meter is reading 140mA. The battery voltage is unknown, the other voltmeter appears to be not reading correctly.

- a) Find Battery voltage
- b) Fiind circuit current
- c) Find current in R330
- d) Find correct voltmeter reading
- e) Find power in R47

5



I out =