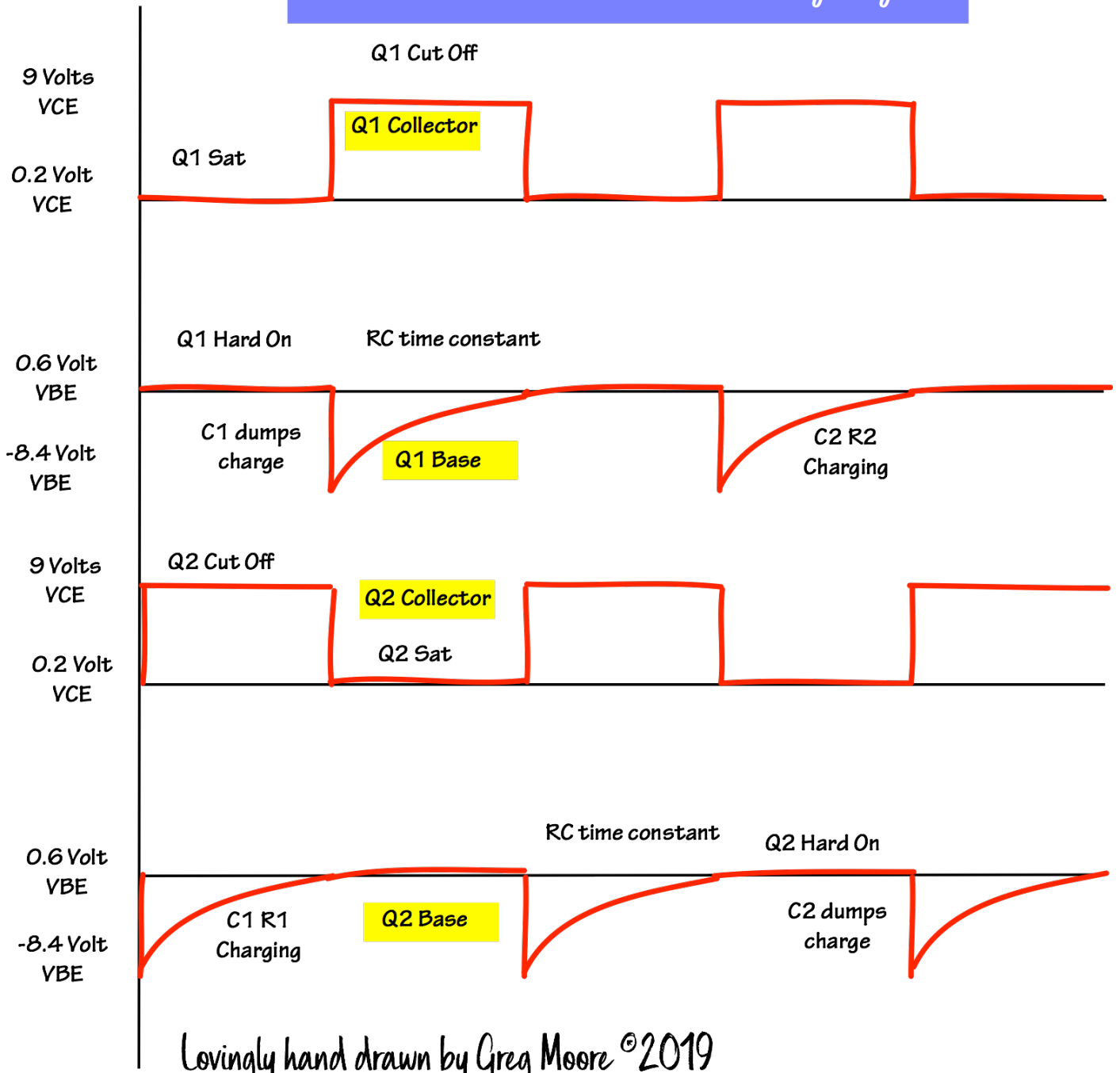
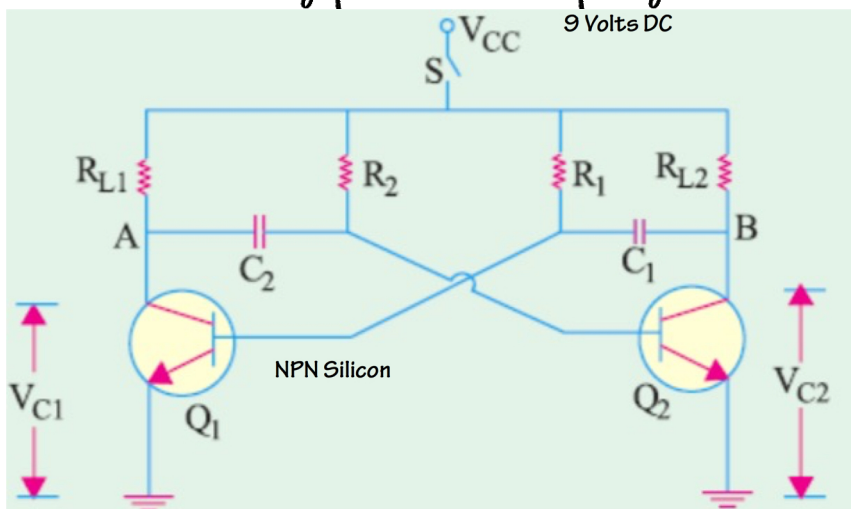


NPN Transistor Astable Multivibrator Timing Diagram



Lovingly hand drawn by Greg Moore ©2019



This circuit from the textbook shows a basic NPN variety of Multivibrator. The timing diagram shows which timing elements are doing the charging. PNP will be opposite voltages.