

Queens Adjustable

DOWNLIGHT

Product code MD55AR

mondolux.com.au

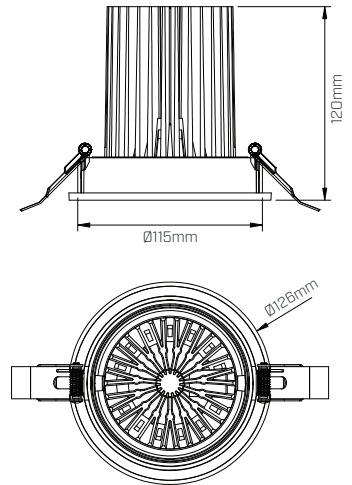
MONDOLUX™

Installation Manual



Notes

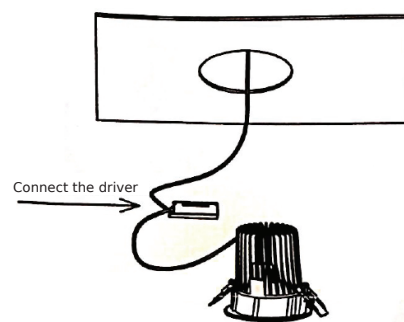
- This fitting requires 220-240V AC/50HZ power input to the driver.
- Do not interchange any parts of this fitting.
- A minimum distance of 75mm is required around the fitting to allow for air ventilation.
- Allow a minimum distance between fitting and illuminated subject of 800mm.
- Do not touch fitting when in use.
- Do not cover with any form of heat proof material.
- Do not install any inductive loads such as exhaust fans etc. within the same lighting circuit of the current fitting. Issues caused by such connections will not be covered under our warranty policy.
- If you have any questions about the installation of this product, please contact Mondolux.



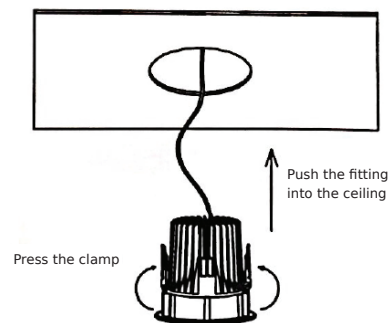
Installation Steps

1. Ensure the mains power is turned off.
2. Cut required holes in ceiling. Ensure minimum space requirements between fitting and driver. See picture 1.
3. Pass the driver power supply wires through the cutout and plug into mains socket.
4. Connect the driver to the light fitting using the quick connector. See picture 1.
5. Mount fixture into ceiling and secure using the spring loaded clamps. See picture 2.
6. Installation is complete. See picture 3.

Picture 1



Picture 2



Picture 3

