

Installation Manual



Prior to Installation

- The system is IEC 60570:2003+AMD1:2017 certified and Installation must be carried out by a licensed electrician according to local and national wiring regulations (e.g. AS/NZS 3000:2018).
- Only genuine Mondolux parts and accessories are to be used for this installation.
- Mondolux shall not responsible for the safety and functioning of the system if genuine Mondolux parts are not used and these installation instructions are not followed.
- It is the responsibility of the user to ensure that the electrical, mechanical and thermal requirements between the track system, mounting/suspending substrate and the lighting fixtures are met.

Notes

- System rating: 400V/16A 3-phase (11KW) or 1-phase 3 circuit 230V/16A (3x3.7 KW).
- FOR INDOOR USE ONLY, in a dry and dust free space. System is rated IP20.
- DO NOT electrically or physically overload the system. (Refer to *Load Capacity* section.)
- Use only products intended for operation on this track or compatible with it.
- Never force the adapter into a position or connection. Requiring excessive force normally indicates a problem.
- All electrical connections feeding power to the track must be carried out to comply with "Fixed Wiring Standards". (E.g. as defined in the AS/NZS 3000 Wiring Rules)
- NEVER SUPPLY POWER TO THE TRACK AT MORE THAN ONE POINT.
- Follow the prescribed fixing distances. Refer to Suspension Points and Surface Mounted Fixing Points section.
- Always terminate the track with a suitable component (eg. End Cap) to ensure that the system is properly insulated.
- If you have any questions about the installation of this product, please contact your Mondolux distributor.

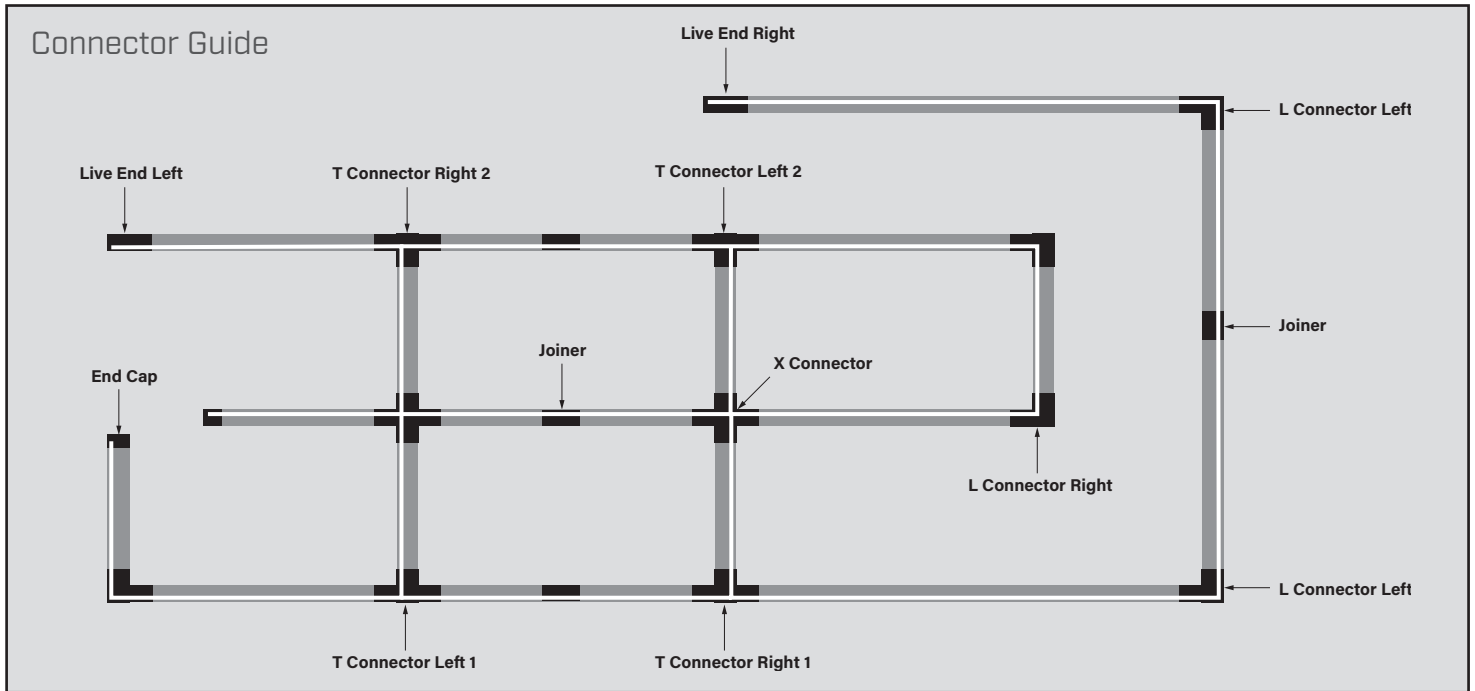
Recessed



Installation Steps

1. Ensure the power to the circuit you are working on is turned off before proceeding with any electrical work.
2. Before unwrapping, layout all the components in a clean area to ensure that no parts are missing. Contact your Mondolux distributor if there is an issue.
3. On a clean, flat surface, construct the track layout as per the lighting designer's Reflected Ceiling Plan, using the necessary L Connectors, T Connectors, X Connectors, Joiners, Flexible Connectors, End Caps and Live Ends and respective Covers.
 - Match the ridgeline key for left and right wiring, by referring to the WHITE line on the *Connector Guide* diagram.
 - Do not leave any ends uncovered.
 - NEVER SUPPLY POWER TO THE TRACK AT MORE THAN ONE POINT.

Installation Steps Continued



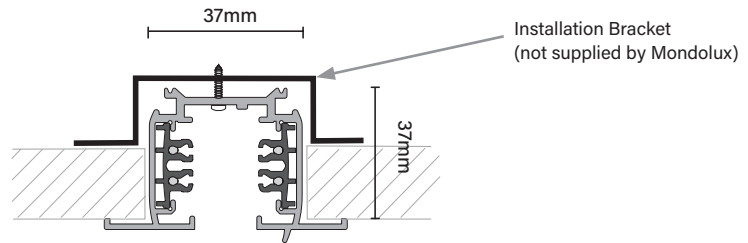
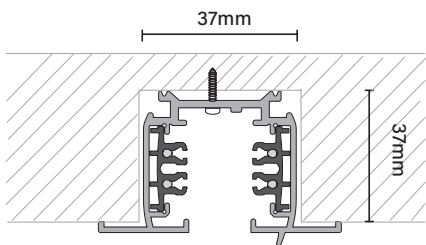
4. Recess the track:

4.1. Cut grooves in ceiling to suit track layout design.

4.2. Affix each length of track at the base. Installation brackets (not supplied by Mondolux) may be required. Use fasteners that are suitable for the substrate and capable of handling a load up to 10kg/m. (Refer to *Recessed Fixing Points* section.)

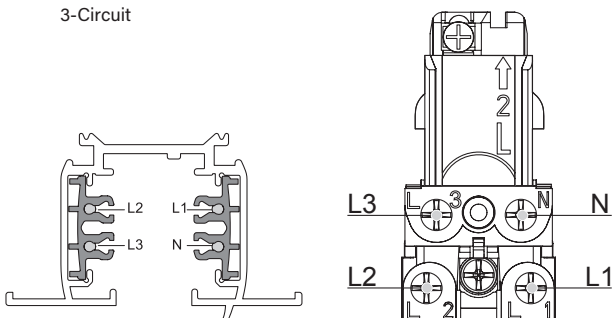
NOTE:

Mondolux shall not be responsible for any issues arising from the incorrect selection of suitable fasteners.

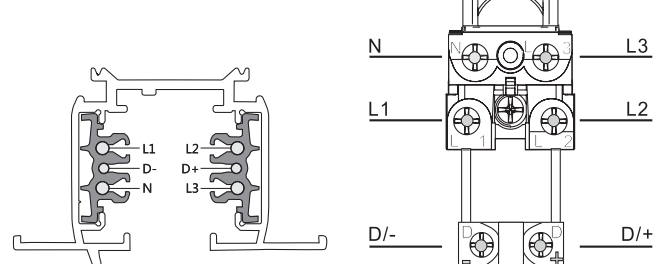


Live End Wiring

3-Circuit



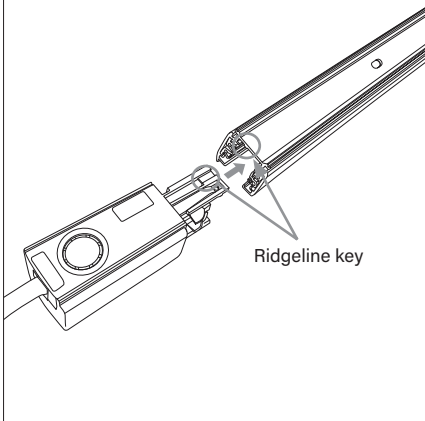
DALI



5.1. Wire the Live End(s) to the main power.

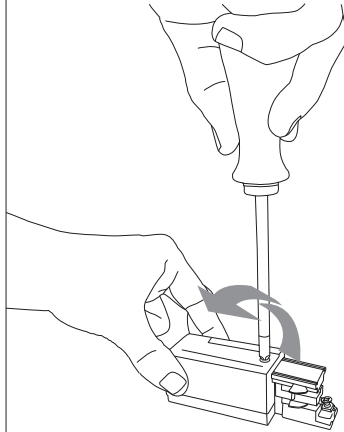
5.2.

The Live End and Connector pieces come in LEFT and RIGHT live wire versions. To determine which component to use, match the ridgeline key on each piece with the track



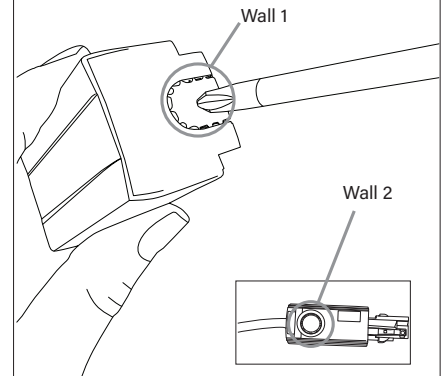
5.3.

Detach the Live End cover by removing the screw and prying it open.



5.4.

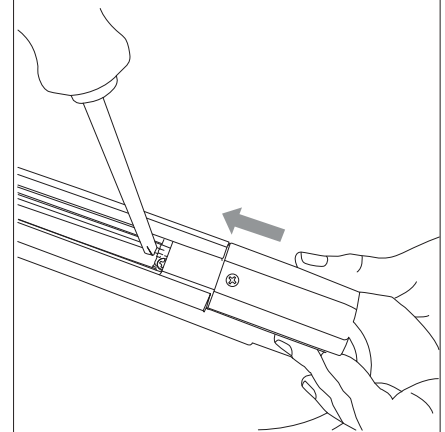
Knockout either detachable wall 1 (end), or 2 (rear) to make a hole.



- 5.5. Pass the power supply cable through the hole. If using hole 1, secure the cable with the strain relief within the Live End. If using hole 2, use a plastic cord grip (not included).
- 5.6. Strip approximately 80mm of the insulated covering, then strip 10mm of the wires.
- 5.7. Connect the wires to the respective circuits. Refer to Wiring Diagram.
- 5.8. Secure the Live End cover back on.

5.9.

Slide the Live End into the end of the track (matching the ridgeline key) and tighten the ground screw to secure it.

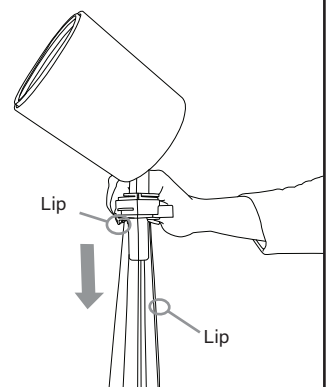


- 6.1. Click the required track lights (with included track adapters) into the track, noting the position of the lip on the track adaptor and the lip on the opposite side of the track.

- 6.2. Slide the track adaptor into the required position and lock it by swivelling the adapter lock. Rotate the adapter switch to select which circuit to run it on.

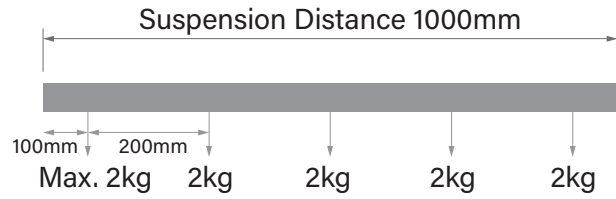
Do not use excessive force on the lock or switch.

- 6.3. To remove the track light, swivel the adaptor lock, then, rather than pulling the fitting out at right angles to the track, pivot it 90° anticlockwise so that the track adaptor side with the lock is released first, then the other end.



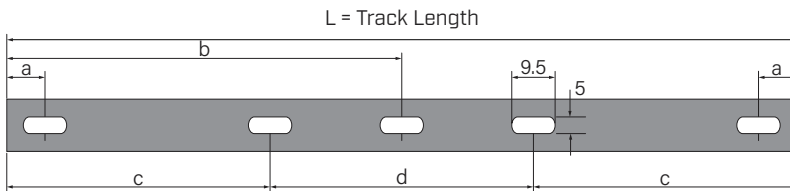
Load Capacity

The Power Track maximum load capacity is 10kg per metre, or 2kg every 200mm.



Recessed Fixing Points

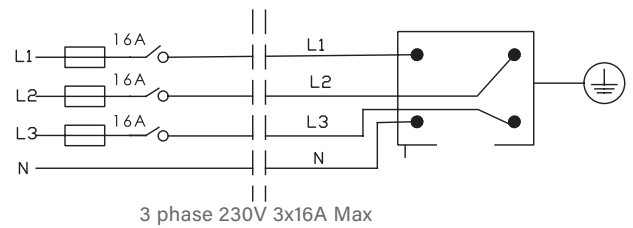
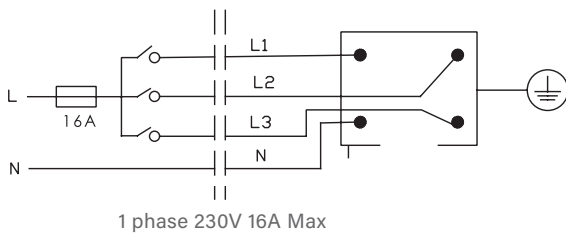
The 1, 2, 3 and 4 metre lengths of track are supplied with pre-drilled mounting point holes at the measurements shown in the table below. Secure a fastener at every pre-drilled hole.



L/mm	a/mm	b/mm	c/mm	d/mm
1000	125			
2000	125	998		
3000	125		914	1167
4000	125		1247	1501

Wiring Diagrams

Power Track 3 Circuit



Power Track DALI

