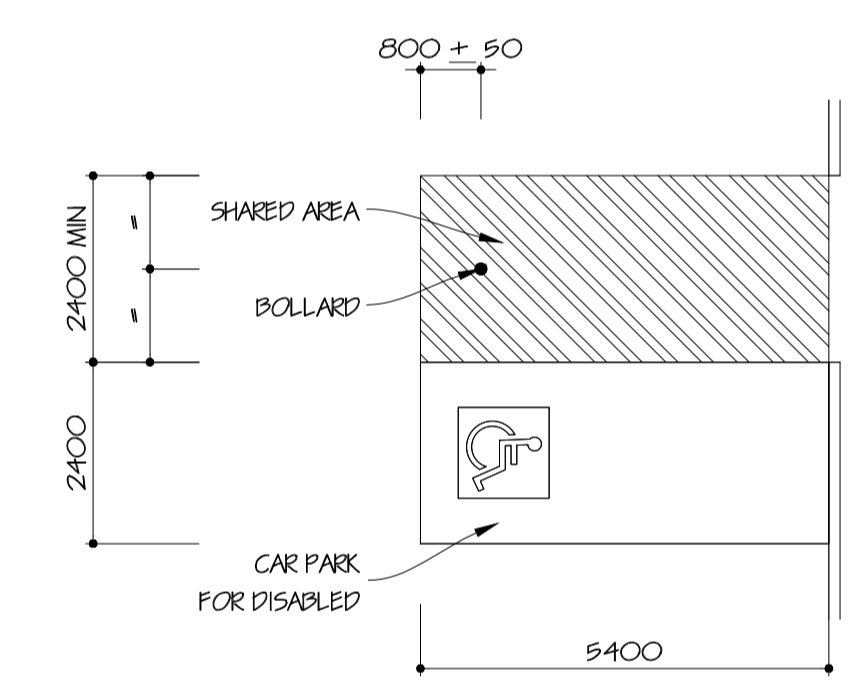
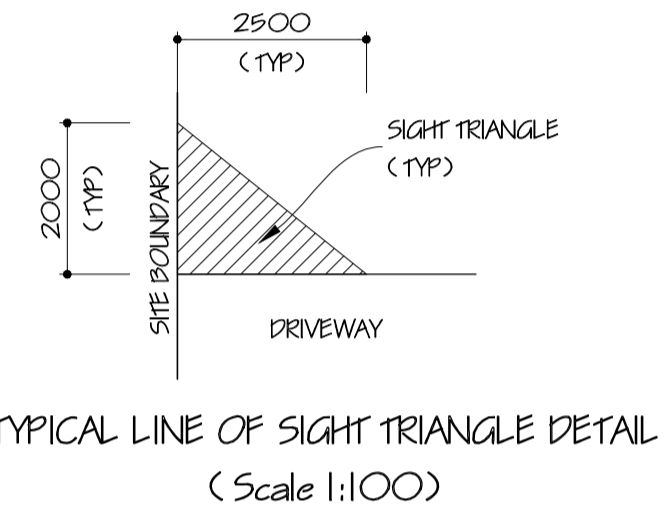


SITE DEVELOPMENT PLAN

- DISABLED SIGNAGE TO COMPLY WITH BCA D3.6 AND AS 2890.6-2009
- EXTENT OF PATHWAY, SHARED AREA AND CIRCULATION SPACE FOR DISABLED
- 150 WATT METAL HALIDE FLOOD LIGHT TO BE BAFFLED TO LIMIT LIGHT SPILL BEYOND SITE BOUNDARIES

**NOTE:**  
 EXTENT OF 2000 x 2500 SIGHT TRIANGLE TO BE IN ACCORDANCE WITH AS 2890.2 2002, FIGURE 3.4  
 SITE TRIANGLE TO BE KEPT CLEAR OF VISUAL OBSTRUCTIONS.  
 ANY LANDSCAPING WITHIN SITE TRIANGLES TO BE MAXIMUM OF 900mm IN HEIGHT AT MATURE GROWTH LEVEL



**MARKETING AREAS:**

SITE AREA:	2228 m <sup>2</sup>
WAREHOUSE:	1257 m <sup>2</sup>
OFFICE:	116 m <sup>2</sup>
<b>TOTAL:</b>	<b>1373 m<sup>2</sup></b>
CARPARKS:	21 OFF

- ALL CARPARKS TO BE 2600 W x 4900 L MIN DIMENSIONS AND GRADIENTS TO BE IN ACCORDANCE WITH CLAUSE 52.06 OF THE GREATER DANDENONG PLANNING SCHEME AND AS/ NZS 2890.1 - 2009.
- CARPARKS FOR DISABLED TO BE 2400 W x 5400 L MIN WITH 2400 W SHARED PATHWAY
- ALL LOADING BAYS TO BE MINIMUM 5000 W x 6000 H x 13000 L
- ALL DRIVEWAYS & CARPARKS TO HAVE 150mm THICK REINFORCED CONCRETE
- PATHWAYS TO BE CONCRETE PAVED UNLESS OTHERWISE NOTED
- RAMPS FOR DISABLED TO COMPLY WITH AS 1428.1 - 2009
- ALL LEVELS TO AHD

**PRELIMINARY ISSUE  
NOT FOR CONSTRUCTION**

NO.	DESCRIPTION	DATE

REVISION

All levels and dimensions to be checked and verified by the client prior to commencement of construction. This Document is Copyright and is supplied on the express condition that it is not to be used for any other purpose or copied or communicated to any other person without the prior permission of Stephen D'Andrea Pty. Ltd.

**STEPHEN D'ANDREA** PTY. LTD.  
 A.C.N. 005 676 568  
 SUITE 9 / 84 - 90 LAKEWOOD BOULEVARD  
 BRAESIDE 3195

TELEPHONE 9587 5000  
 FAX 9588 2020  
 MOBILE (0418) 314 021

EMAIL design@stephendandrea.com.au  
 WEB SITE www.stephendandrea.com.au

**PROJECT**  
 PROPOSED WAREHOUSE AND OFFICE  
 AT LOT 4 RIDGE WAY,  
 DANDENONG SOUTH.

**CLIENT**

DATE	NOV '19	SCALE	1:200
DRAWN	1N	SHEET	1 OF
DRG No	6088/19	AI	ISSUE

