

# KuMax

## HIGH EFFICIENCY POLY MODULE

CS3U-350 | 355 | 360P (IEC1000V)

CS3U-350 | 355 | 360P (IEC1500V)

### MORE POWER



Low power loss in cell connection



Low NMOT:  $42 \pm 3 \text{ }^\circ\text{C}$   
Low temperature coefficient (Pmax):  $-0.37 \text{ } \%/ \text{ }^\circ\text{C}$



Better shading tolerance



High PTC rating of up to: 92.64 %

### MORE RELIABLE



Minimizes micro-cracks



Lower hot spot temperature



Heavy snow load up to 5400 Pa,  
wind load up to 3600 Pa\*



linear power output warranty



product warranty on materials  
and workmanship

### MANAGEMENT SYSTEM CERTIFICATES

ISO 9001:2015 / Quality management system  
ISO 14001:2015 / Standards for environmental management system  
OHSAS 18001:2007 / International standards for occupational health & safety

### PRODUCT CERTIFICATES\*

IEC 61215 / IEC 61730: VDE / CE / MCS / CEC AU  
UL 1703 / IEC 61215 performance: CEC listed (US) / FSEC (US Florida)  
UL 1703: CSA / IEC61701 ED2: VDE / IEC62716: VDE / IEC60068-2-68: SGS  
Take-e-way



\*We can provide this product with special BOM specifically certified with salt mist, ammonia and sand blowing tests. Please talk to our local technical sales representatives to get your customized solutions.

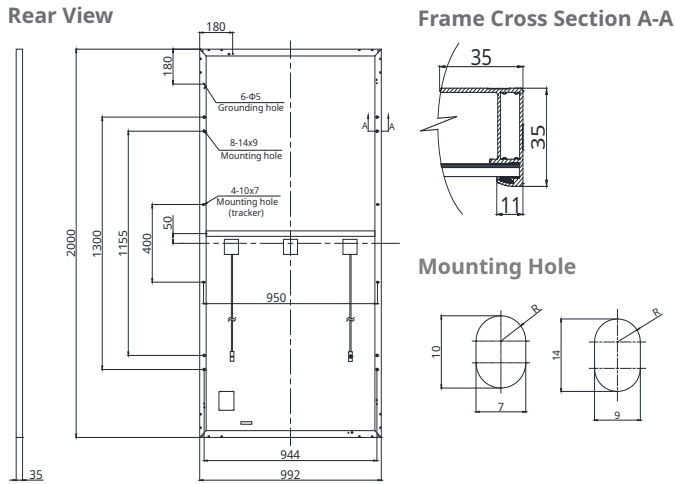
**CANADIAN SOLAR INC.** is committed to providing high quality solar products, solar system solutions and services to customers around the world. No. 1 module supplier for quality and performance/price ratio in IHS Module Customer Insight Survey. As a leading PV project developer and manufacturer of solar modules with over 30 GW deployed around the world since 2001.

\* For detailed information, please refer to the Installation Manual.

### CANADIAN SOLAR INC.

Canadian Solar MSS (Australia) Pty Ltd., 44 Stephenson St, Cremorne VIC 3121, Australia  
support@canadiansolar.com, www.canadiansolar.com/au

## ENGINEERING DRAWING (mm)



## ELECTRICAL DATA | STC\*

CS3U	350P	355P	360P
Nominal Max. Power (Pmax)	350 W	355 W	360 W
Opt. Operating Voltage (Vmp)	39.2 V	39.4 V	39.6 V
Opt. Operating Current (Imp)	8.94 A	9.02 A	9.10 A
Open Circuit Voltage (Voc)	46.6 V	46.8 V	47.0 V
Short Circuit Current (Isc)	9.51 A	9.59 A	9.67 A
Module Efficiency	17.64%	17.89%	18.15%
Operating Temperature	-40°C ~ +85°C		
Max. System Voltage	1500V (IEC/UL) or 1000V (IEC/UL)		
Module Fire Performance	TYPE 3 / Type 13 (UL 1703) or CLASS A (IEC61730)		
Max. Series Fuse Rating	30 A		
Application Classification	Class A		
Power Tolerance	0 ~ + 5 W		

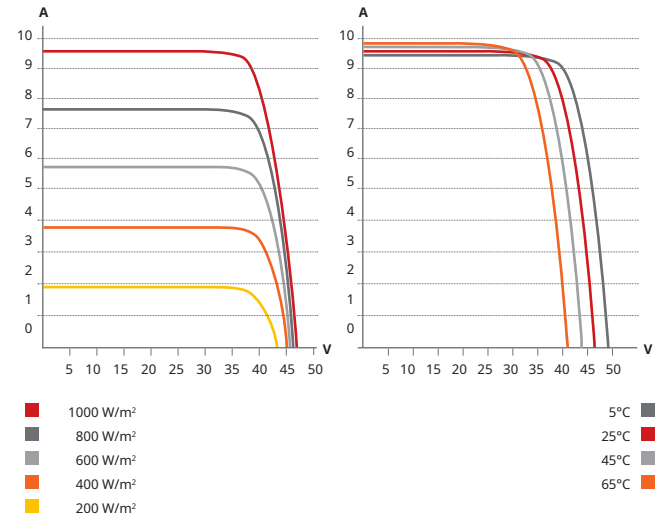
\* Under Standard Test Conditions (STC) of irradiance of 1000 W/m<sup>2</sup>, spectrum AM 1.5 and cell temperature of 25°C. Measurement uncertainty: ±3 % (Pmax).

## ELECTRICAL DATA | NMOT\*

CS3U	350P	355P	360P
Nominal Max. Power (Pmax)	260 W	264 W	268 W
Opt. Operating Voltage (Vmp)	36.2 V	36.4 V	36.6 V
Opt. Operating Current (Imp)	7.18 A	7.25 A	7.31 A
Open Circuit Voltage (Voc)	43.7 V	43.9 V	44.1 V
Short Circuit Current (Isc)	7.67 A	7.74 A	7.80 A

\* Under Nominal Module Operating Temperature (NMOT), irradiance of 800 W/m<sup>2</sup>, spectrum AM 1.5, ambient temperature 20°C, wind speed 1 m/s.

## CS3U-355P / I-V CURVES



## MECHANICAL DATA

Specification	Data
Cell Type	Poly-crystalline
Cell Arrangement	144 [2 X (12 X 6)]
Dimensions	2000 X 992 X 35 mm (78.7 X 39.1 X 1.38 in)
Weight	22.5 kg (49.6 lbs)
Front Cover	3.2 mm tempered glass
Frame	Anodized aluminium alloy, crossbar enhanced
J-Box	IP68, 3 diodes
Cable	4 mm <sup>2</sup> (IEC), 12 AWG (UL)
Cable Length (Including Connector)	Portrait: 400 mm (15.7 in) (+) / 280 mm (11.0 in) (-); landscape: 1250 mm (49.2 in); leap-frog connection: 1670 mm (65.7 in)*
Connector	T4 series (MC4 series is available)
Per Pallet	30 pieces
Per Container (40' HQ)	660 pieces

\* For detailed information, please contact your local Canadian Solar sales and technical representatives.

## TEMPERATURE CHARACTERISTICS

Specification	Data
Temperature Coefficient (Pmax)	-0.37 % / °C
Temperature Coefficient (Voc)	-0.29 % / °C
Temperature Coefficient (Isc)	0.05 % / °C
Nominal Module Operating Temperature	42 ± 3°C

## PARTNER SECTION



## CANADIAN SOLAR INC.

Canadian Solar MSS (Australia) Pty Ltd., 44 Stephenson St, Cremorne VIC 3121, Australia  
support@canadiansolar.com, www.canadiansolar.com/au

Jun. 2019. All rights reserved, PV Module Product Datasheet V5.583\_AU

Manufacture in China, Thailand and Vietnam.