

# Goodwe Export Control and Consumption Monitoring solution

## Background:

With the increasing solar penetration nationwide, export limit is becoming more commonly requested by each DNSP. In addition to export limiting, consumers are now seeking a greater understanding of their solar systems. Load consumption monitoring is a good method for end users to track their electricity usage behaviour.

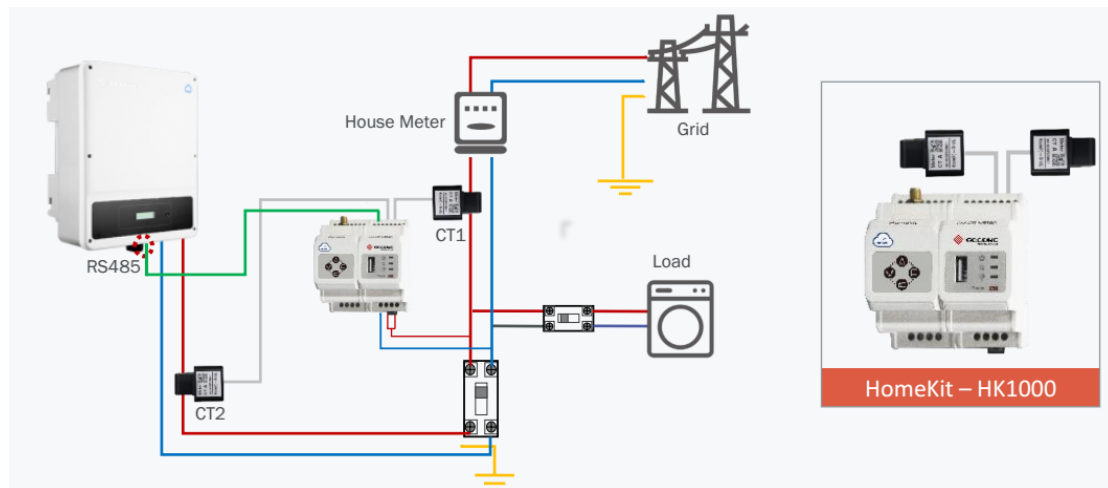
## Goodwe Action:

Previously Goodwe has separated solutions for load consumption monitoring and export control. Load consumption has required using the HomeKit and export limit required using CT90.

Now, the HomeKit 1000 can do both export control and load consumption monitoring simultaneously on Goodwe single phase inverters.

## Technical Bulletin:

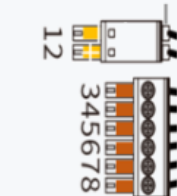
Referring to the wiring diagram below:



## NS/DNS/MS/SDT G1/DT



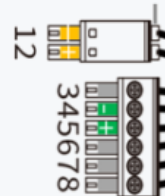
With ARC



Export Power Limit

DRED Function (Australia Version)

MS Com Port



Export Power Limit

Remote Shutdown (EU Version)

Where the sun shines there is GoodWe

- This solution is only for Goodwe single phase inverter (NS, DNS, MS).
- Link Homekit 485 port to inverter export control port referring to the photo above.
- Homekit coming with 2@CTs 2meters length each allow max 120A pass through.
- Homekit can work with any brand of inverter for consumption monitoring however will only work with Goodwe single phase inverters for export limit.
- To achieve consumption monitoring, Homekit is required to be connected to the internet following the Wi-Fi manual on the HomeKit .
- To achieve export limit via HomeKit, the same procedure is required as per using CT90 by pressing the button on inverter to configure.

Signed by: *Mike Zhang*

Date: 27<sup>th</sup> of Oct, 2020  
Goodwe Australia Pty Ltd  
Jiangsu GoodWe Power Supply Technology Co., Ltd