

Single Phase Energy Hub Inverter with Prism Technology

for Australia

SE3000H-AUS / SE4000H-AUS / SE5000H-AUS /
SE6000H-AUS / SE8250H-AUS / SE10000H-AUS



Optimized battery storage with HD-Wave technology

- / Single string design for inverters up to 5kW AC
- / Record-breaking 99% weighted efficiency with 200% DC oversizing, for higher energy yield
- / Modular design, future ready with optional upgrades to:
 - / DC-coupled storage for full or partial home backup
 - / Built-in consumption monitoring
- / Multi-inverter, scalable StorEdge® solution
- / Advanced safety features including SafeDC™ and integrated arc fault protection
- / Built-in panel-level monitoring
- / Rapid inverter commissioning via smartphone using SetApp
- / Small, lightweight, and easy to install
- / IP65-rated, for indoor and outdoor installations

/ Single Phase Energy Hub Inverter with Prism Technology

for Australia

SE3000H-AUS / SE4000H-AUS / SE5000H-AUS / SE6000H-AUS /
SE8250H-AUS / SE10000H-AUS⁽¹⁾

	SE3000H-AUS	SE4000H-AUS	SE5000H-AUS	SE6000H-AUS	SE8250H-AUS	SE10000H-AUS	UNITS
OUTPUT - AC ON GRID							
Rated AC Power	3000	4000	5000	6000	8250	10000	VA
Maximum AC Power Output	3000	4000	5000	6000	8250	10000	VA
AC Output Voltage (Nominal)	220 / 230						Vac
AC Output Voltage Range	184 - 264.5						Vac
AC Frequency Range (nominal)	50/60 ± 5						Hz
Maximum Continuous Output Current	14	19	23	28	38	46	A
Total Harmonic Distortion (THD)	<3						%
Power Factor	1, adjustable -0.8 to 0.8						
Utility Monitoring, Islanding Protection, Country Configurable Thresholds	Yes						
Charge Battery from AC (if Allowed)	Yes						
Typical Nighttime Power Consumption	<2.5						W
OUTPUT - AC BACKUP⁽²⁾							
Rated AC Power in Backup Operation ⁽³⁾	3000	4000	5000	6000	8250	10000	W
AC Output Voltage (Nominal)	220 / 230						Vac
AC Output Voltage Range	184-264.5						Vac
AC Frequency	50/60 ± 5						Hz
Maximum Continuous Output Current in Backup Operation ⁽⁴⁾	14	19	23	28	38	46	A
INPUT - DC (PV AND BATTERY)							
Transformer-less, Ungrounded	Yes						
Max Input Voltage	480						Vdc
Nom DC Input Voltage	380			400			Vdc
Reverse-Polarity Protection	Yes						
Ground-Fault Isolation Detection	600kΩ Sensitivity						
Maximum DC PV Power	6000	8000	10000	12000	16500	20000	W
Maximum Input Current ⁽⁵⁾	8.5	11	14	16.5	22.5	27.5	Adc
Maximum Inverter Efficiency	99.2						%
European Weighted Efficiency	98.8			99			%
2-pole Disconnection	Yes						
BATTERY STORAGE							
Supported Battery Types	SolarEdge Battery, LG RESU10H Prime, LG RESU16H Prime						
Number of Batteries per Inverter	Up to 3 SolarEdge Batteries or up to 2 LG Prime batteries ⁽⁶⁾						
Continuous Power	Up to inverter rated power						
SMART ENERGY CAPABILITIES							
Consumption Metering	Built-in ⁽⁷⁾						
Battery Storage	In backup: Up to 3 inverters, 88.2kWh backup capacity						

(1) These specifications apply to inverters with part numbers SExxxxH-AUS3xxxxx and connection unit model number DCD-1PH-AU-PxH-F-x

(2) Not designed for standalone applications and requires AC for commissioning

(3) Rated AC power in Backup Operation are valid for installations with multiple inverters. For a single backup inverter operation, rated AC power in Backup is 90% of the value stated

(4) Rated current in backup operation are valid for installations with multiple inverters. For a single backup inverter operation, rated current in Backup is 90% of the value stated

(5) A higher current source may be used; the inverter will limit its input current to the values stated

(6) Support for 2 LG Prime batteries with supported inverter firmware

(7) For consumption metering current transformers should be ordered separately: SE-CTML-0350-070 or SE-ACT-0750-100 or SE-ACT-0750-250-C6.

/ Single Phase Energy Hub Inverter with Prism Technology

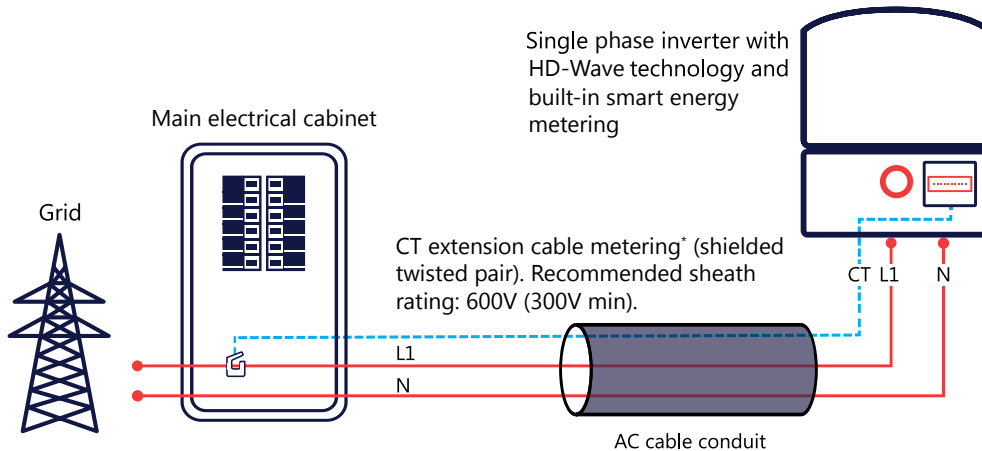
for Australia

SE3000H-AUS / SE4000H-AUS / SE5000H-AUS / SE6000H-AUS / SE8250H-AUS / SE10000H-AUS⁽¹⁾

	SE3000H-AUS	SE4000H-AUS	SE5000H-AUS	SE6000H-AUS	SE8250H-AUS	SE10000H-AUS	UNITS
ADDITIONAL FEATURES							
Supported Communication Interfaces	RS485 - modbus devices, RS485 - SE protocol, Ethernet, Wi Fi, EnergyNet						
Integrated AC, DC and Communication Connection Unit	yes						
Inverter Commissioning	with the SetApp mobile application using built-in Wi-Fi Access Point for local connection						
STANDARD COMPLIANCE							
Safety	IEC-62103 (EN50178), IEC-62109, AS/NZS3100						
Grid Connection Standards	AS/NZS4777						
Emissions	IEC61000-6-2, IEC61000-6-3, IEC61000-3-11, IEC61000-3-12						
INSTALLATION SPECIFICATIONS							
AC Output Conduit Size / Wire Cross Section	32mm Maximum / 1-16 mm ²						
EV AC Output Conduit Size / Wire Cross Section	32mm Maximum / 1-16 mm ²						
DC Input Conduit Size / Wire Cross Section	32mm Maximum / 1-16 mm ²						
Dimensions with Connection Unit (HxWxD)	450 X 370 X 174				540 x 370 x 185		
Weight with Connection Unit	<15				<20		
Communication Glands	2						
Noise	<25						
	<50						
Cooling	Natural Convection						
Operating Temperature Range	-40 to +60 ⁽⁸⁾						
Protection Rating	IP65 - Outdoor and Indoor						

- (1) These specifications apply to inverters with part numbers SExxxxH-AUS3xxxxx and connection unit model number DCD-1PH-AU-PxH-F-x
- (2) Not designed for standalone applications and requires AC for commissioning
- (3) Rated AC power in Backup Operation are valid for installations with multiple inverters. For a single backup inverter operation, rated AC power in Backup is 90% of the value stated
- (4) Rated current in backup operation are valid for installations with multiple inverters. For a single backup inverter operation, rated current in Backup is 90% of the value stated
- (5) A higher current source may be used; the inverter will limit its input current to the values stated
- (6) Support for 2 LG Prime batteries with supported inverter firmware
- (7) For consumption metering current transformers should be ordered separately: SE-CTML-0350-070 or SE-ACT-0750-100 or SE-ACT-0750-250-C6.
- (8) Full power up to at least 50°C / 122°F; for power de-rating information refer to: <https://www.solaredge.com/sites/default/files/se-temperature-derating-note-na.pdf>

Connecting CTs to the Revenue Grade and Consumption Meter



* One CT for import/export or consumption metering