

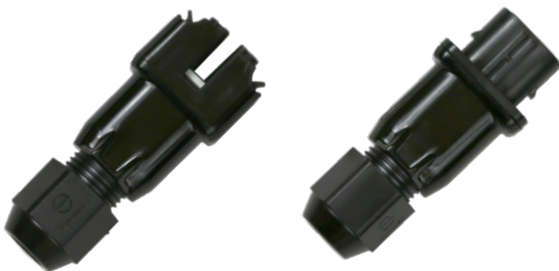
Enphase Q Cable and Accessories

The **Enphase Q Cable™** and accessories are part of the sixth generation Enphase IQ System™. These products provide simplicity, reliability, and faster installation times.



Enphase Q Cable

- Two-wire, double-insulated Enphase Q Cable is 50% lighter than the previous generation Enphase cable
- Four-wire (three-phase) option also available
- New cable numbering and plug and play connectors speed up installation and simplify wire management
- Link connectors eliminate cable waste



Field-Wireable Connectors



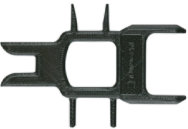
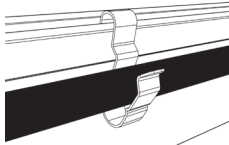
- Easily connect Q cables on the roof without complex wiring
- Make connections from any open connector and center feed any section of cable within branch limits
- Available in male and female connector types

Enphase Q Cable Accessories

Q CABLE SPECIFICATIONS	
Voltage rating	600V (connector rating up to 250 V)
Cable temperature rating	90° C wet/dry
UV exposure rating	EN ISO 492-2
Environmental protection rating	IEC 60529 IP67
Compliance	RoHS, OIL RES I, CE, UV resistant
Cable insulator rating	H07BQ-F
Flame rating	IEC 60332-1-2

Q CABLE TYPES / ORDERING OPTIONS					
Model Number	Max Nominal Voltage	Ampacity Rating	Connector Spacing	PV Module Orientation	Connector Count per Box
Q-25-10-240 (single-phase)	250 VAC	25 A	1.3 m	Portrait	240
Q-25-17-240 (single-phase)	250 VAC	25 A	2.0 m	Landscape (60-cell)	240
Q-25-20-200 (single-phase)	250 VAC	25 A	2.3 m	Landscape (72-cell)	200
Q-25-10-3P-200 (three-phase)	250 VAC	25 A	1.3 m	Portrait	200
Q-25-17-3P-160 (three-phase)	250 VAC	25 A	2.0 m	Landscape (60-cell)	160
Q-25-20-3P-160 (three-phase)	250 VAC	25 A	2.3 m	Landscape (72-cell)	160

ENPHASE Q CABLE ACCESSORIES		
Name	Model Number	Description
Raw Q Cable (single-phase)	Q-25-RAW-300	300 meters cable with no connectors
Raw Q Cable (three-phase)	Q-25-RAW-3P-300	300 meters cable with no connectors
Field-wireable connector (male)	Q-CONN-R-10M	Make connections using single-phase cable
Field-wireable connector (male)	Q-CONN-3P-10M	Make connections using three-phase cable
Field-wireable connector (female)	Q-CONN-R-10F	Make connections from any Q Cable (single-phase) open connector
Field-wireable connector (female)	Q-CONN-3P-10F	Make connections from any Q Cable (three-phase) open connector
Cable Clip	ET-CLIP-100	Used to fasten cabling to the racking or to secure looped cabling
Disconnect tool	Q-DISC-10	Disconnect tool for Q Cable connectors, DC connectors, and AC module mount
Disconnect tool	Q-DISC-3P-10	Disconnect tool for three-phase Field wireable connectors
Q Cable sealing caps (female)	Q-SEAL-10	One needed to cover each unused connector on the cabling
Terminator (single-phase)	Q-TERM-R-10	Terminator cap for unused single-phase cable ends
Terminator (three-phase)	Q-TERM-3P-10	Terminator cap for unused three-phase cable ends
Replacement DC Adaptor (MC4)	Q-DCC-2-INT	DC adaptor to MC4 (max voltage 100 VDC)

	<p>TERMINATOR</p> <p>Terminator cap for unused cable ends, sold in packs of ten (Q-TERM-R-10 / Q-TERM-3P-10))</p>		<p>SEALING CAPS</p> <p>Sealing caps for unused cable connections, sold in packs of ten (Q-SEAL-10)</p>
	<p>DISCONNECT TOOL</p> <p>Plan to use at least one per installation, sold in packs of ten (Q-DISC-10) Three-phase model (Q-DISC-3P-10)</p>		<p>CABLE CLIP</p> <p>Used to fasten cabling to the racking or to secure looped cabling, sold in packs of one hundred (ET-CLIP-100)</p>

To learn more about Enphase offerings, visit enphase.com/au