

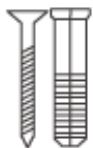
QUICK INSTALLATION MANUAL

**BATTERY MODULE
SMILE-BAT-10.3P**

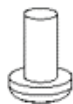


Packing List

SMILE5-BAT



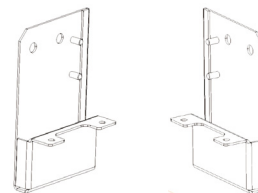
6 x M8*60



6 x M5*10



6 x M4*10



2 x Hanging hook



8 x M6 washer



2 x power cord
(1 black, 1 red)

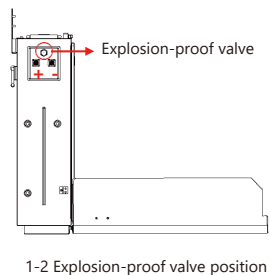
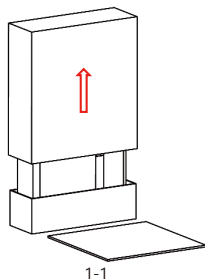


1 x manual

Disassemble the battery packaging and battery installation

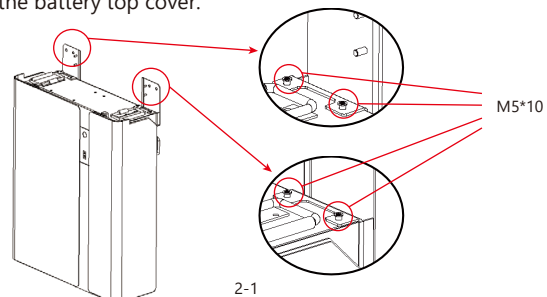
Step1

Open the battery pack.



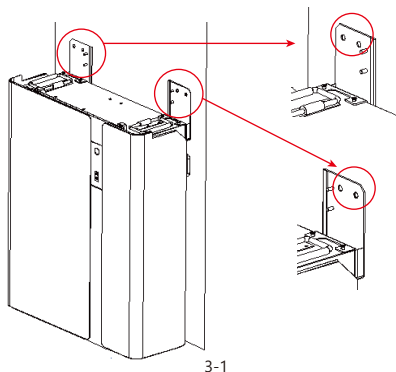
Step2

Use a Phillips screwdriver to attach the battery mounting hooks to the battery top cover.



Step3

Place the battery close to the wall perpendicular to the floor and drill holes in the wall using the impact drill corresponding to the M8*60.

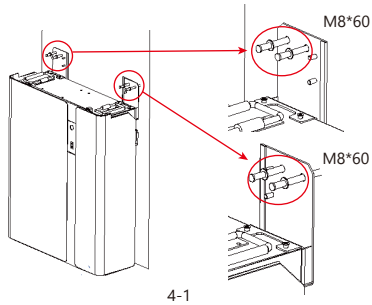


Note: Please place a protective layer on the battery when drilling to prevent dust from falling into the battery.

Battery fixing and wiring

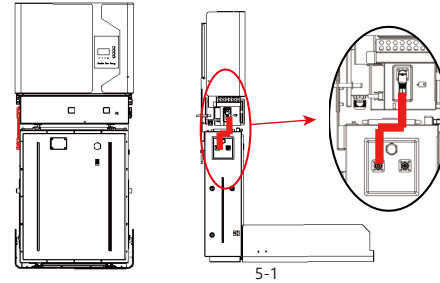
Step4

Remove the debris shutter and secure the battery to the wall with the screws.



Step5

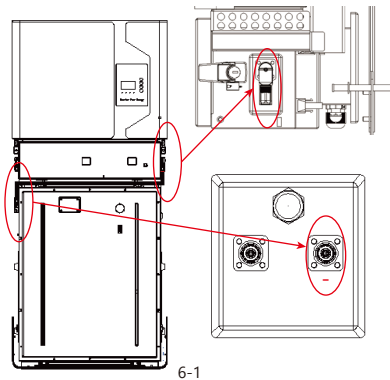
Connect the battery and inverter using the power cord (red) in the parts list.



Wiring

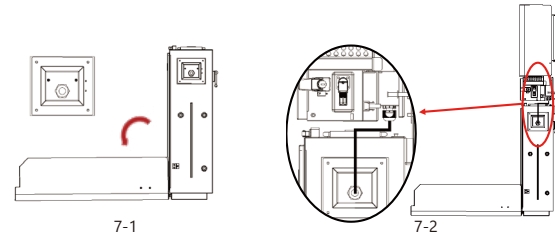
Step6

Connect the battery and inverter using the power cord (black) in the parts list.



Step7

Take off the battery decorating panel and remove the communication wiring barrier on the left side. Use the inverter's own communication cable to connect to the battery communication port. Lock all covers after all the above connections are completed.



Headquarter: Alpha ESS Co., Ltd.

☎ +86 513 806 068 91
✉ info@alpha-ess.com
🌐 www.alpha-ess.com
🏢 JiuHua Road 888, Nantong High-Tech Industrial Development Zone, Nantong City, 226300

Germany: Alpha ESS Europe GmbH

☎ +49 610 3459 1601
✉ europe@alpha-ess.de
🌐 www.alpha-ess.de
🏢 Paul-Ehrlich-Straße 1a, 63225 Langen, Hessen

Suzhou: Alpha ESS Suzhou Co., Ltd.

☎ +86 512 6828 7609
✉ info@alpha-ess.com
🌐 www.alpha-ess.com
🏢 Level 15,SIPC 158 Wangdun Road SIP Suzhou, 215028

Italy: Alpha ESS Italy S.r.l.

☎ +39 599 239 50
✉ info@alpha-ess.it
🌐 www.alpha-ess.it
🏢 Via Loda,17-41013 Castelfranco Emilia (MO)

Australia: Alpha ESS Australia Pty. Ltd.

☎ +61 402 500 520 (Sales)
+61 1300 968 933 (Technical Support)
✉ australia@alpha-ess.com
🌐 www.alpha-ess.com.au
🏢 Suite 1, Level 1, 530 Botany Road, Alexandria, NSW, 2015

Korea: Alpha ESS Korea Co., Ltd

☎ +39 599 239 50
✉ info@alpha-ess.it
🌐 www.alpha-ess.it
🏢 Via Loda,17-41013 Castelfranco Emilia (MO)

UK: Alpha ESS UK Co., Ltd

✉ uk@alpha-ess.com
🏢 Drake House, Long Street, Dursley, gl11 4hh