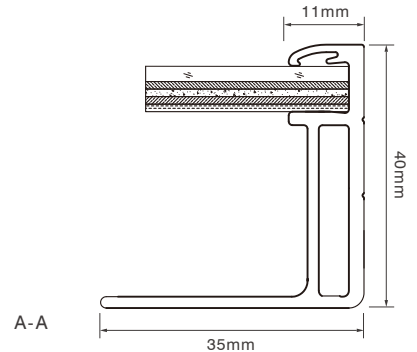
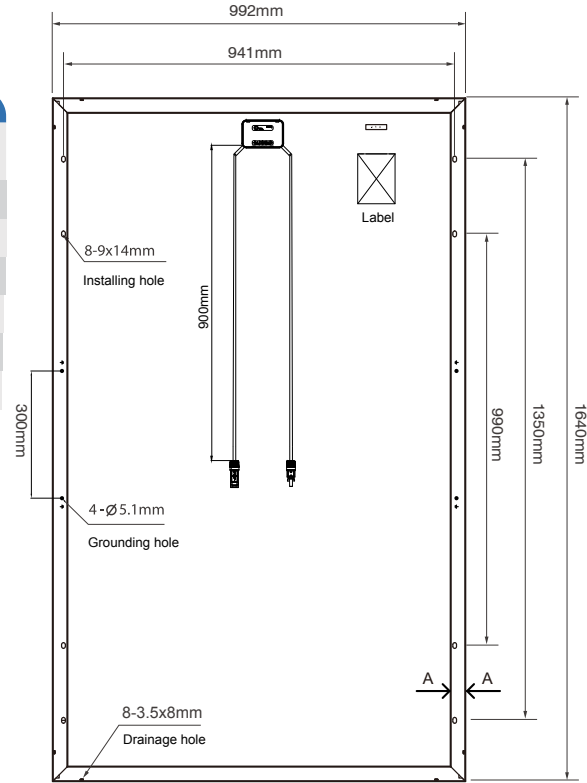


GCL-M6/60xxx

HIGH EFFICIENCY MONOCRYSTALLINE MODULE

MODULE DIMENSION



ELECTRICAL SPECIFICATION (STC)

TYPE (STC)	GCL-M6/60 270	GCL-M6/60 275	GCL-M6/60 280	GCL-M6/60 285	GCL-M6/60 290	GCL-M6/60 295	GCL-M6/60 300
Maximum Power P _{max} (W)	270(±3%)	275(±3%)	280(±3%)	285(±3%)	290(±3%)	295(±3%)	300(±3%)
Maximum Power Voltage V _m (V)	31.2	31.4	31.6	31.8	32.0	32.2	32.4
Maximum Power Current I _m (A)	8.65	8.76	8.86	8.96	9.06	9.16	9.26
Open Circuit Voltage V _{oc} (V)	38.3(±3%)	38.5(±3%)	38.7(±3%)	38.9(±3%)	39.1(±3%)	39.3(±3%)	39.5(±3%)
Short Circuit Current I _{sc} (A)	9.29(±4%)	9.38(±4%)	9.46(±4%)	9.54(±4%)	9.63(±4%)	9.69(±4%)	9.78(±4%)
Module Efficiency (%)	16.6	16.9	17.2	17.5	17.8	18.1	18.4

Values at Standard Test Conditions STC (Air Mass AM1.5, Irradiance 1000W/m², Cell Temperature 25°C).

ELECTRICAL DATA (NOCT)

Maximum Power P _{max} (W)	199.91	203.33	207.48	210.96	214.76	218.00	221.86
Maximum Power Voltage V _m (V)	28.6	28.8	29.1	29.3	29.5	29.7	29.9
Maximum Power Current I _m (A)	6.99	7.06	7.13	7.20	7.28	7.34	7.42
Open Circuit Voltage V _{oc} (V)	35.4	35.6	35.8	36.0	36.2	36.3	36.5
Short Circuit Current I _{sc} (A)	7.51	7.58	7.65	7.71	7.78	7.83	7.91

NOCT: Irradiance at 800W/m², Ambient Temperature 20°C, Wind Speed 1m/s.

MECHANICAL DATA

Solar Cells	Mono 156.75x156.75mm (6 inches)
Cell Orientation	60 Cells (6x10)
Module Dimensions	1640x992x40mm (64.56 x 39.05 x 1.57 inches)
Weight	18.5kg
Glass	High transparency solar glass 3.2mm (0.13 inches)
Backsheet	White
Frame	Silver, anodized aluminium alloy
J-Box	IP68 Rated
Cables	4.0mm ² (0.006 inches ²), 900mm (35.4 inches)
Connector	QC4.10-ab(a=1 or 2,b=2 or 3)
Static mechanical load	Design load: 3600Pa (downward) / 1600Pa (upward). γ _m =1.5

TEMPERATURE RATINGS

Nominal Operating Cell Temperature (NOCT)	45 ± 2°C
Temperature Coefficient of P _{MAX}	-0.41%/°C
Temperature Coefficient of V _{oc}	-0.31%/°C
Temperature Coefficient of I _{sc}	+0.055%/°C

MAXIMUM RATINGS

Operational Temperature	-40 ~ +85°C
Maximum System Voltage	1000V DC (IEC)
Max Series Fuse Rating	15A

WARRANTY

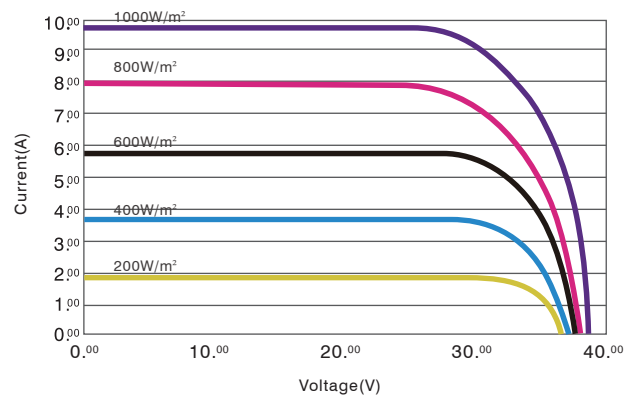
- 10 years Product Workmanship Warranty
- 25 years Linear Power Warranty

(Please refer to GCL standard warranty for details)

PACKAGING CONFIGURATION

- Modules per box: 30 pieces
- Modules per 40'HD container: 840 pieces

I-V CURVES OF MODULE(290W)



Excellent performance under weak light conditions: at an irradiance intensity of 200W/m² W/m(AM 1.5, 25 °C), 96.5% or higher of the STC efficiency (1000 W/m²) is achieved

Modules are assembled in China and Vietnam.

Factory1: Jianguo Ds Photovoltaic Technology Co., Ltd.
Address: No.6 Konggang New District, Guozhuang Town, Jurong, 212434 Jiangsu Province, P. R. China

Factory2: Zhangjiagang GCL System Integration Technology Co., Ltd.
Address: 288# Chenfeng Road, Yangshe Town, Zhangjiagang City, 215600 Jiangsu Province, P. R. China

Factory3: VINA SOLAR TECHNOLOGY CO., LTD
Address: lot CN-03 Factory E12, Van Trung Industrial Park Bac Giang Province, Viet Nam

Factory4: Jinzhai GCL System Integration Technology Development Co., Ltd.
Address: East of Baimafeng Road, Modern Industrial Park, Jinzhai county, Anhui Province, P.R.China

Factory5: Funing GCL System Integration Technology Co., Ltd.
Address: No. 888(A) Hong Kong Road, Funing Economic Development Zone, Yangcheng City, Jiangsu Province P.R. China



Bringing Green Power to Life

<http://en.gclsi.com>

GCL-EN-M6/60-2017-V3.1

CAUTION: READ INSTALLATION MANUAL BEFORE USING THE PRODUCT

©2016 GCL System Integration Technology Co., Ltd. All rights reserved. Specifications included in this datasheet are subject to change without notice.