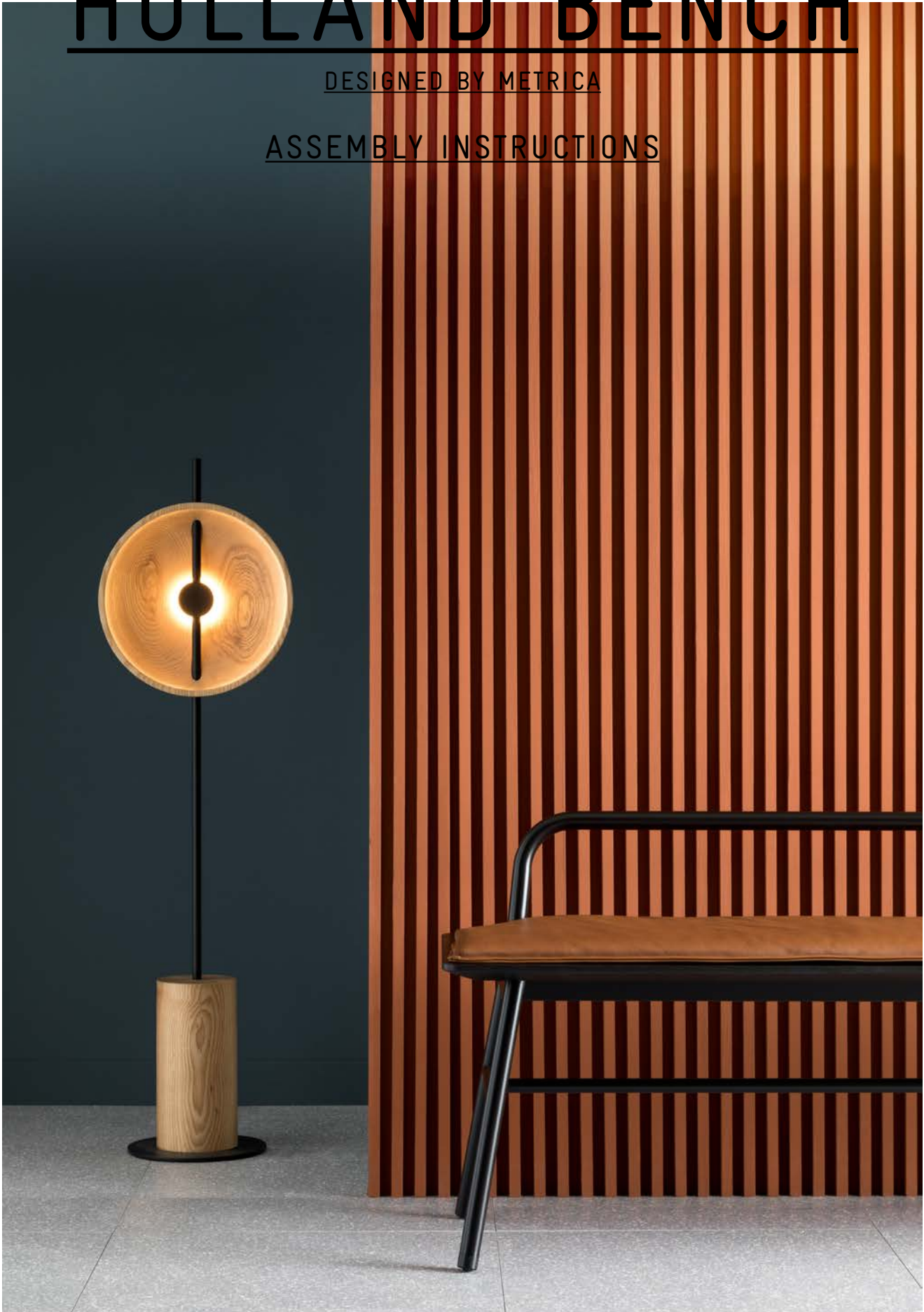


# HOLLAND BENCH

---

DESIGNED BY METRICA

ASSEMBLY INSTRUCTIONS





## DISCLAIMER

---

ENSURE THAT ALL STEPS ARE FOLLOWED IN THE CORRECT ORDER AND  
THAT NO STEP IS LEFT OUT.  
A MINIMUM OF TWO PEOPLE ARE REQUIRED FOR ASSEMBLY.

---

TO PREVENT ANY DAMAGE OF THE PRODUCT, DO NOT USE A BOX CUTTER,  
KNIFE OR SHARP OBJECT TO OPEN THE BOXES.

---

DO NOT LIFT THE BENCH BY ITS TOP. IF YOU HAVE TO LIFT THE BENCH,  
LIFT IT BY HOLDING ONTO THE METAL STRUCTURE.

SPØ1

# ASSEMBLY INSTRUCTIONS

---

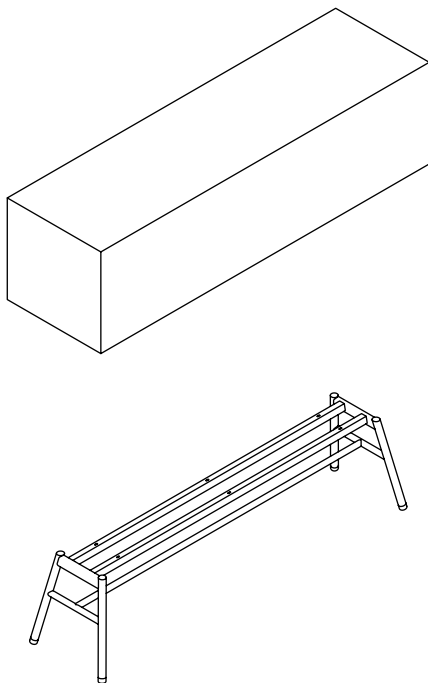
## HOLLAND BENCH WITH BACKREST

SPØ1DESIGN.COM  
HOLLAND BENCH  
WITH BACKREST

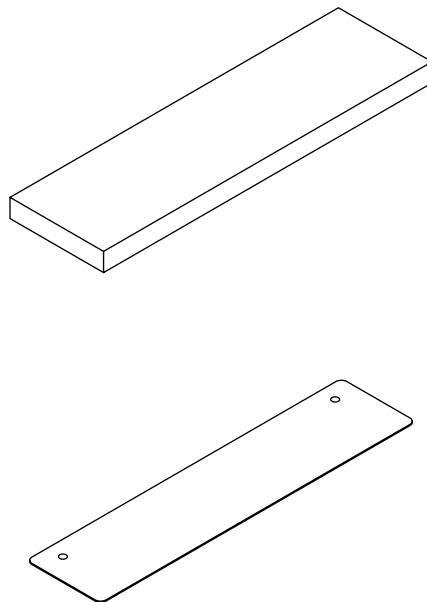
---

PACKAGING

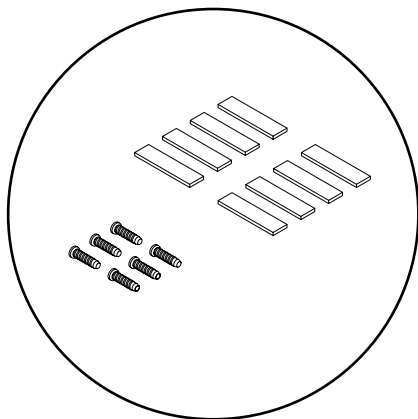
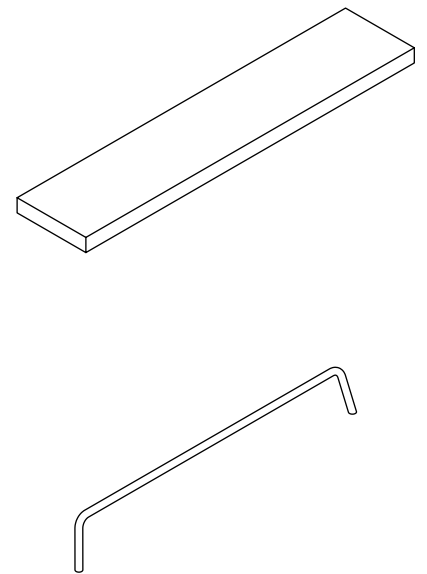
BOX WITH METAL STRUCTURE  
AND HARDWARE



BOX WITH WOODEN TOP

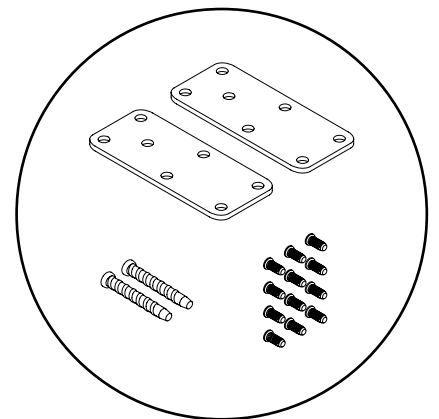


BOX WITH METAL BACKREST  
AND HARDWARE



8 FELT PADS,  
6 SCREWS

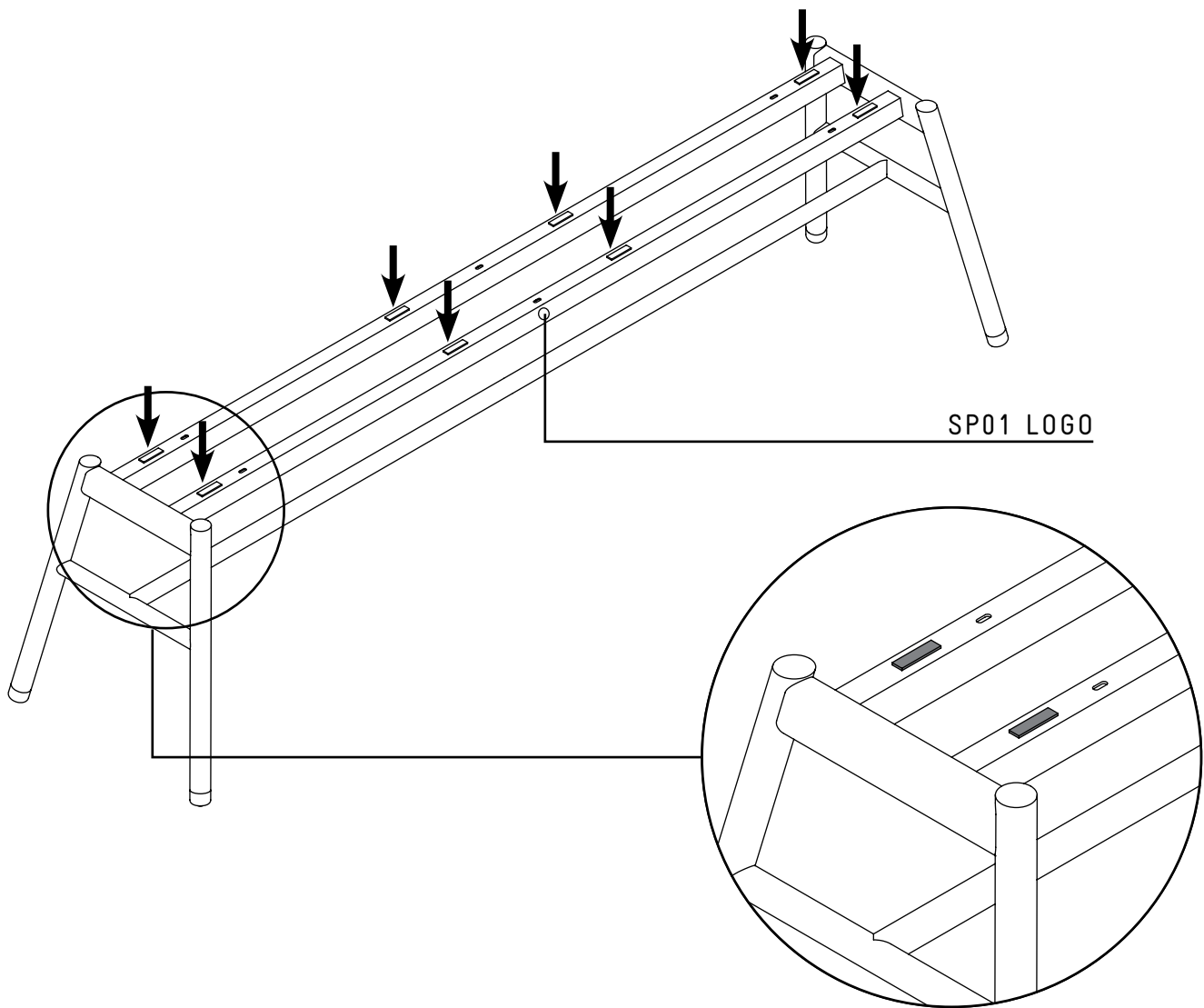
WOODEN TOP WITH CUT-OUTS FOR  
BACKREST TUBE



2 METAL PLATES,  
2 LONG SCREWS,  
12 SHORT SCREWS

SPØ1DESIGN.COM  
HOLLAND BENCH  
WITH BACKREST

BENCH ASSEMBLY

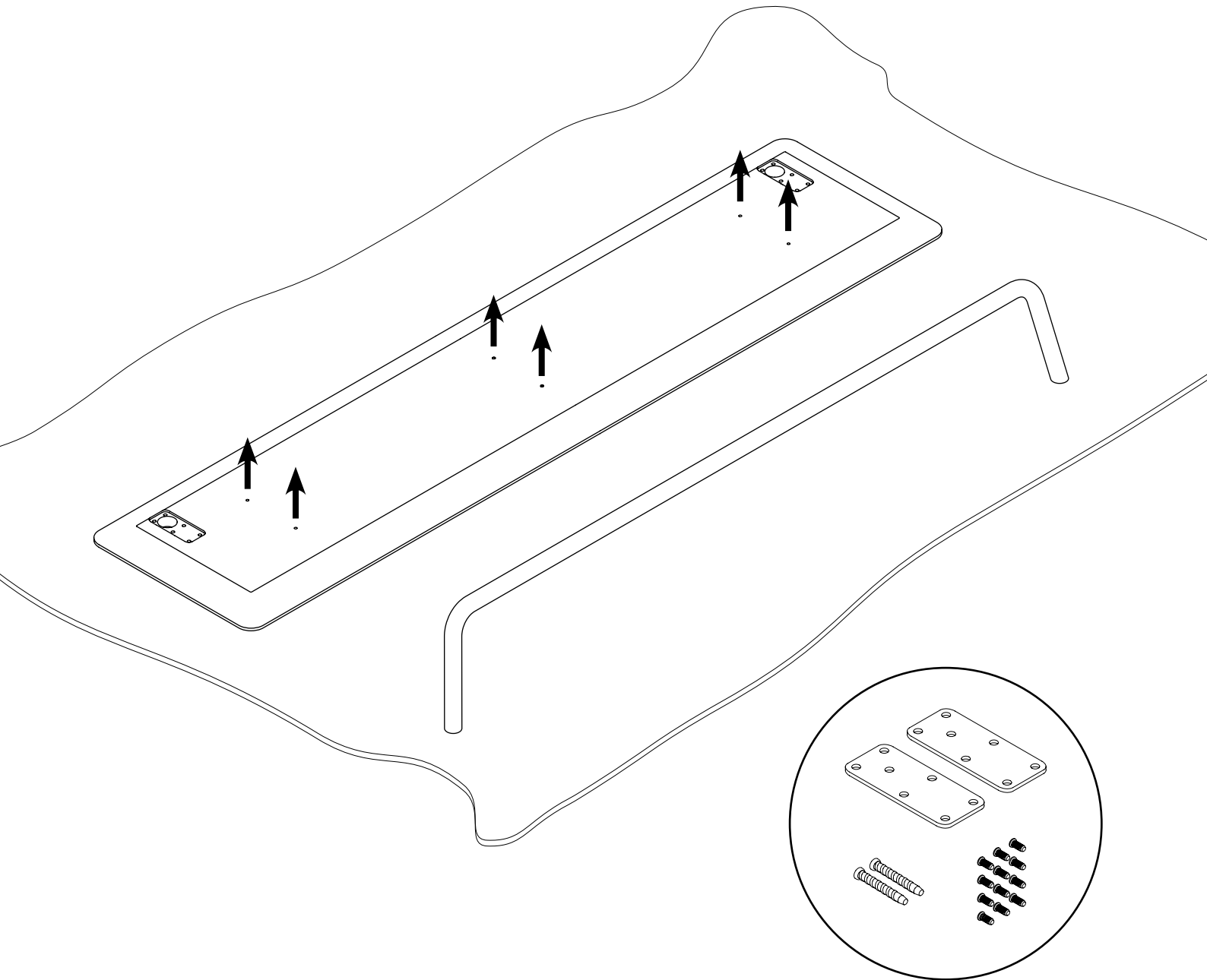


REMOVE THE BASE FROM ITS PACKAGING.  
POSITION THE FELT PADS AS SHOWN ABOVE ONTO THE METAL FRAME. MAKE SURE THAT NO FELT PAD  
COVERS ANY OF THE HOLES.  
KEEP THE SCREWS IN A SECURE PLACE, YOU WILL NEED THEM FOR THE FINAL ASSEMBLY STEP.  
IN THE MIDDLE OF ONE OF THE LONG RAILS YOU FIND THE SPØ1 LOGO. THIS WILL BE YOUR BACK SIDE  
OF THE BENCH LATER.

SPØ1DESIGN.COM  
HOLLAND BENCH  
WITH BACKREST

---

BENCH ASSEMBLY

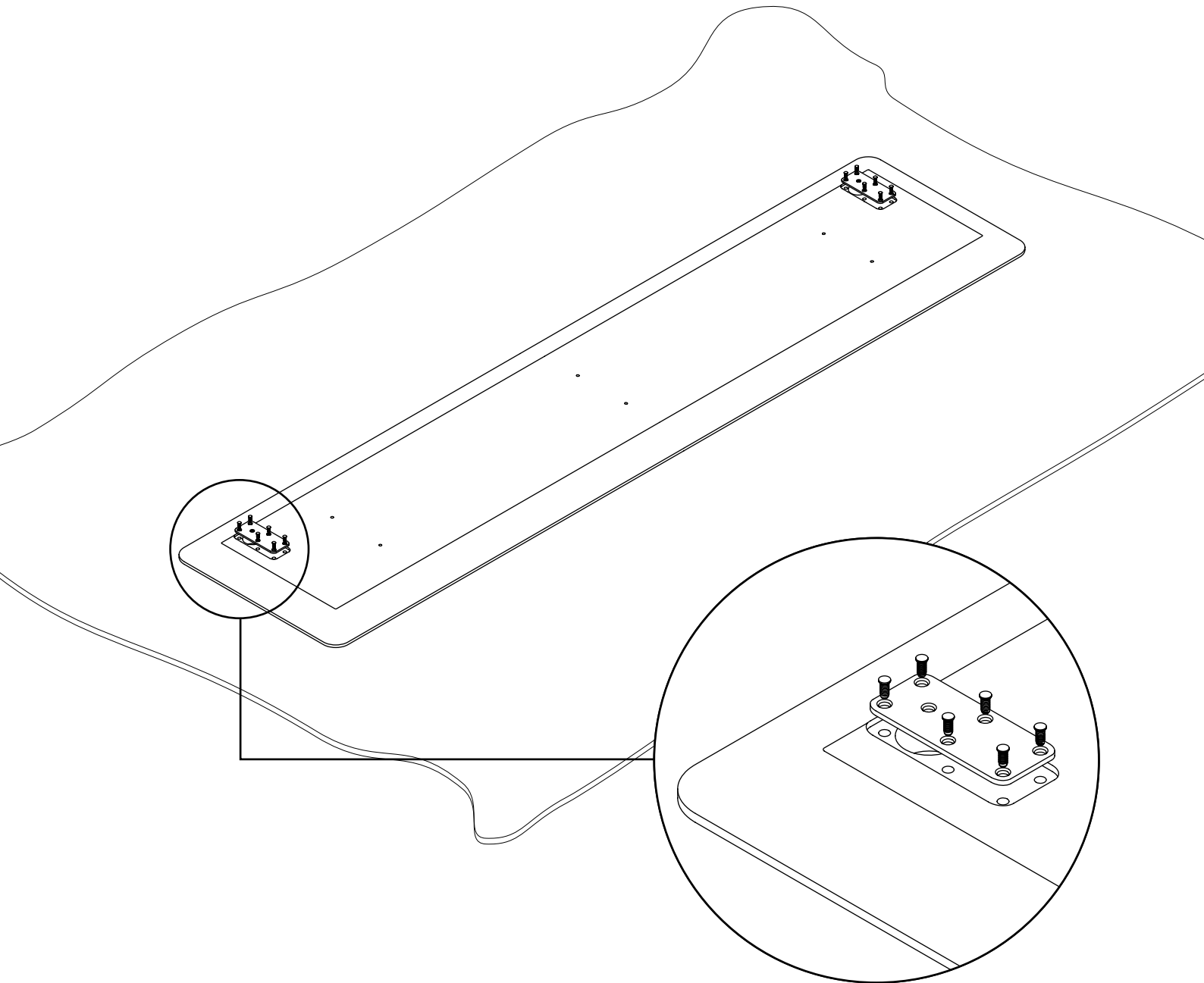


REMOVE THE WOODEN TOP FROM ITS PACKAGING AND PLACE IT UPSIDE DOWN ONTO A SOFT AND CLEAN SURFACE SUCH AS A BLANKET. THE SCREW HOLES SHOULD BE FACING UP. THEN REMOVE THE BACKREST TUBE WITH HARDWARE FROM ITS PACKAGING.

SPØ1DESIGN.COM  
HOLLAND BENCH  
WITH BACKREST

---

BENCH ASSEMBLY

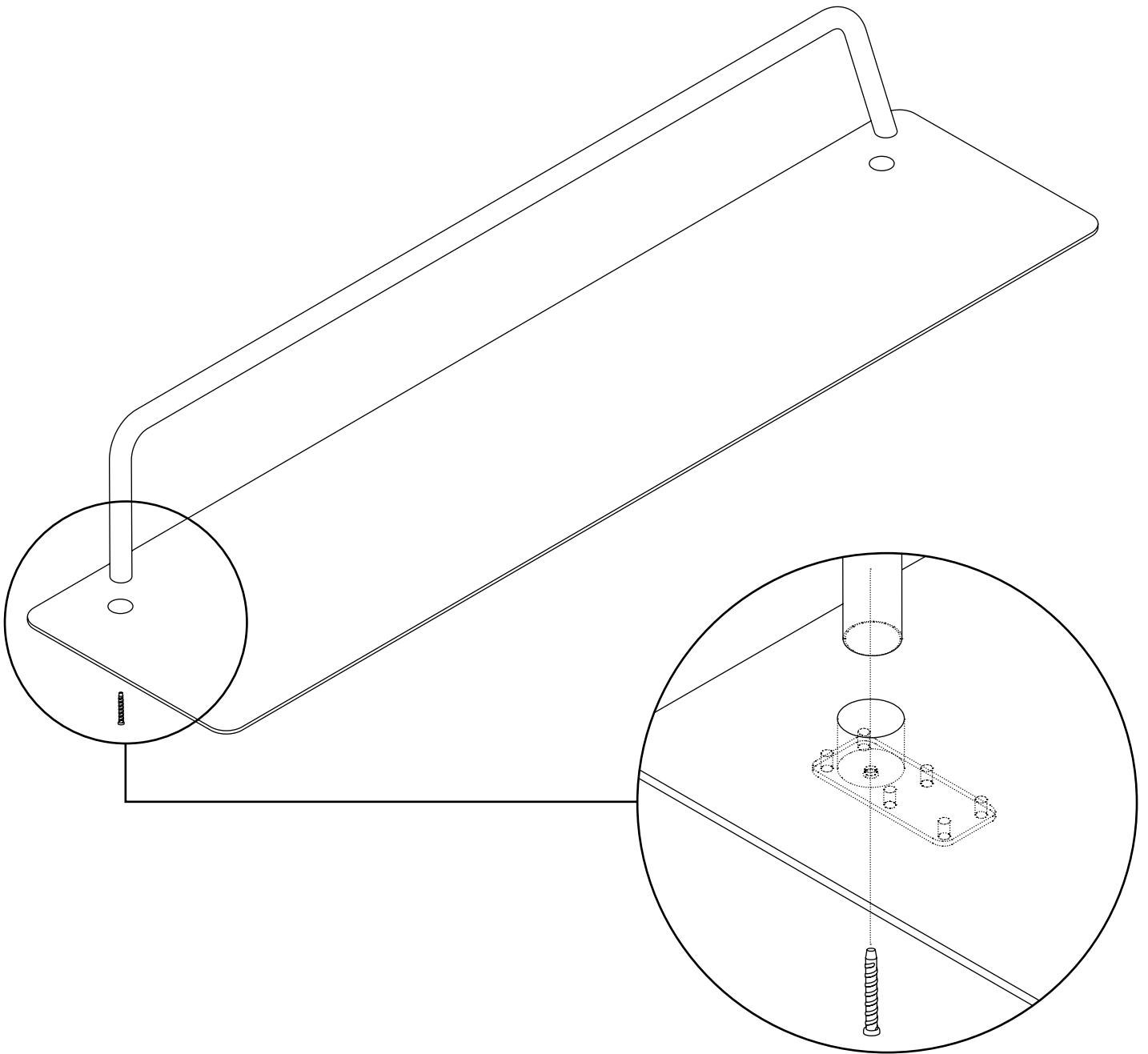


POSITION THE METAL PLATE INTO THE CUT-OUTS OF THE WOODEN TOP ENSURING THAT ALL HOLES MATCH. FIX THE METAL PLATE USING THE SHORT SCREWS PROVIDED WITHOUT TIGHTENING TOO MUCH.

SPØ1DESIGN.COM  
HOLLAND BENCH  
WITH BACKREST

---

BENCH ASSEMBLY



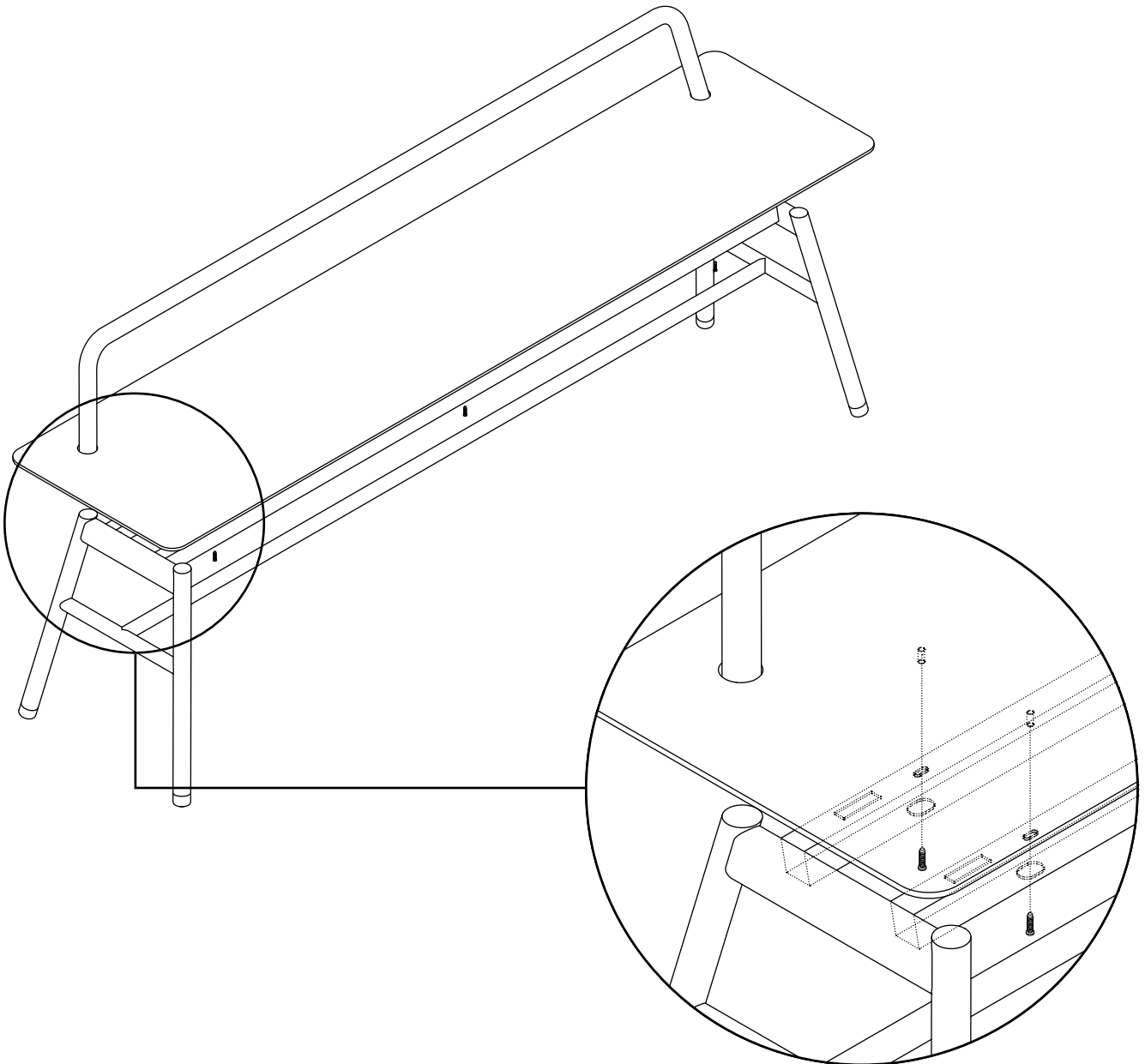
TURN THE WOODEN TOP AROUND AND INSERT THE BACKREST TUBE CAREFULLY, ENSURING THAT THE ANGLE OF THE BACKREST TUBE FACES THE BACK OF THE BENCH. FROM BELOW, INSERT THE LONG CENTRAL SCREW WHICH FIXES THE BACKREST TUBE ONTO THE WOODEN SEAT. ONCE ALL SCREWS ARE INSERTED, GRADUALLY TIGHTEN ALL SCREWS.



SPØ1DESIGN.COM  
HOLLAND BENCH  
WITH BACKREST

---

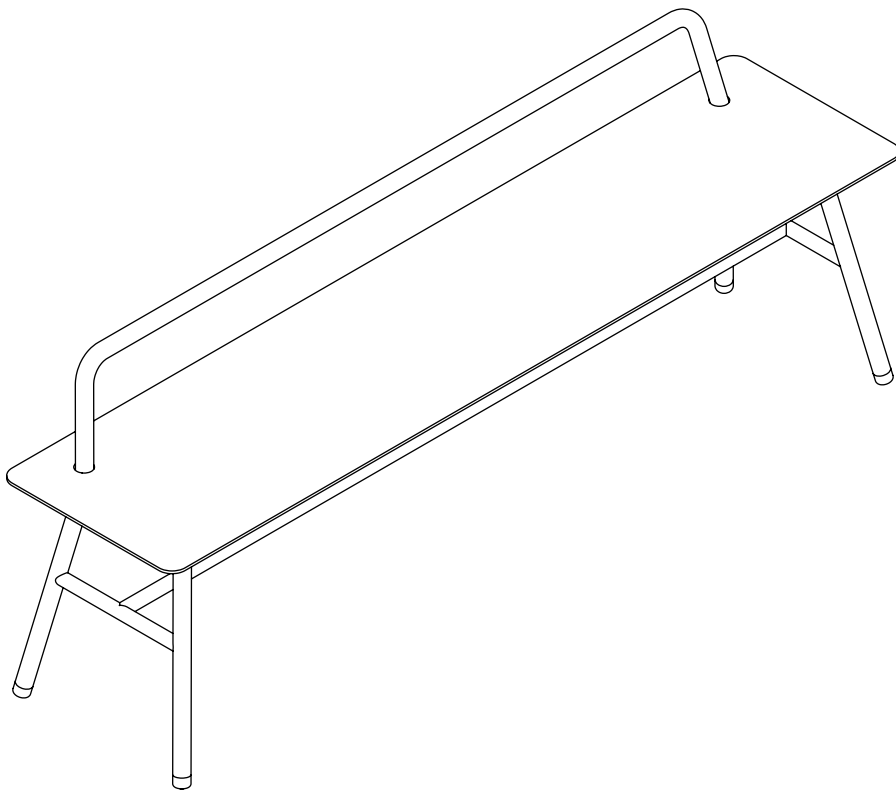
BENCH ASSEMBLY



PLACE THE ASSEMBLED SEAT ONTO THE STRUCTURE.  
MAKE SURE THAT THE BACKREST TUBE IS ALIGNED WITH THE BASE FRAME.  
NOW INSERT THE HARDWARE PROVIDED AND FIX THE TOP ONTO THE METAL STRUCTURE.  
GRADUALLY TIGHTEN ALL THE SCREWS.

SPØ1DESIGN.COM  
HOLLAND BENCH  
WITH BACKREST

---



SPØ1

# ASSEMBLY INSTRUCTIONS

---

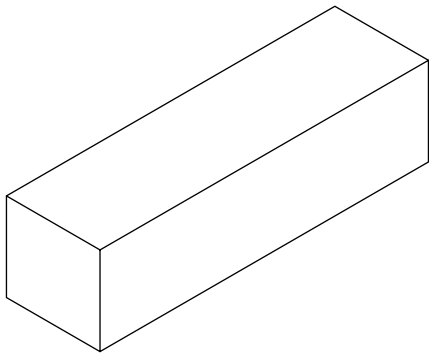
## HOLLAND BENCH WITHOUT BACKREST

HOLLAND BENCH  
WITHOUT BACKREST

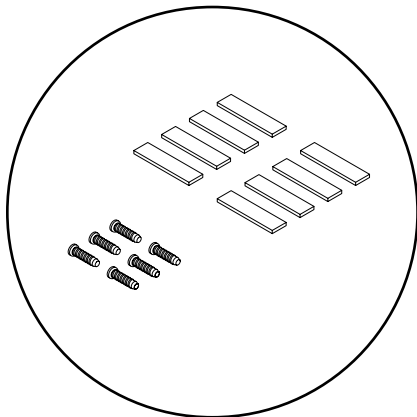
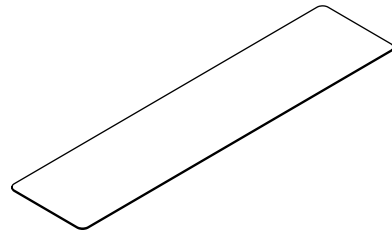
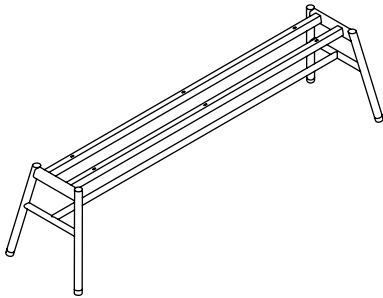
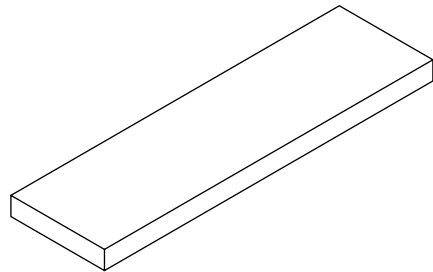
---

PACKAGING

BOX WITH METAL STRUCTURE  
AND HARDWARE



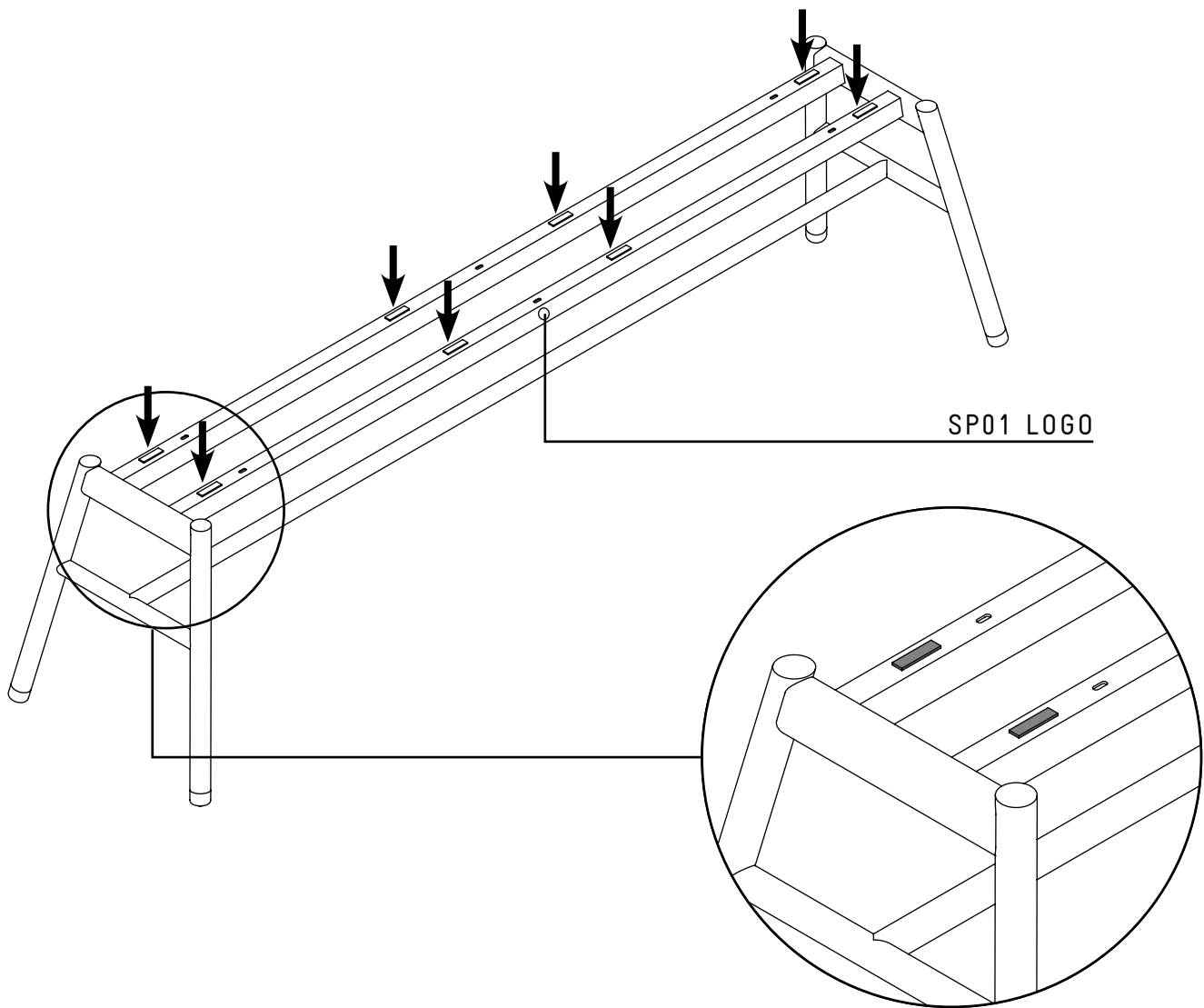
BOX WITH WOODEN TOP



8 FELT PADS,  
6 SCREWS

HOLLAND BENCH  
WITHOUT BACKREST

BENCH ASSEMBLY



REMOVE THE BASE FROM ITS PACKAGING.

POSITION THE FELT PADS AS SHOWN ABOVE ONTO THE METAL FRAME. MAKE SURE THAT NO FELT PAD COVERS ANY OF THE HOLES.

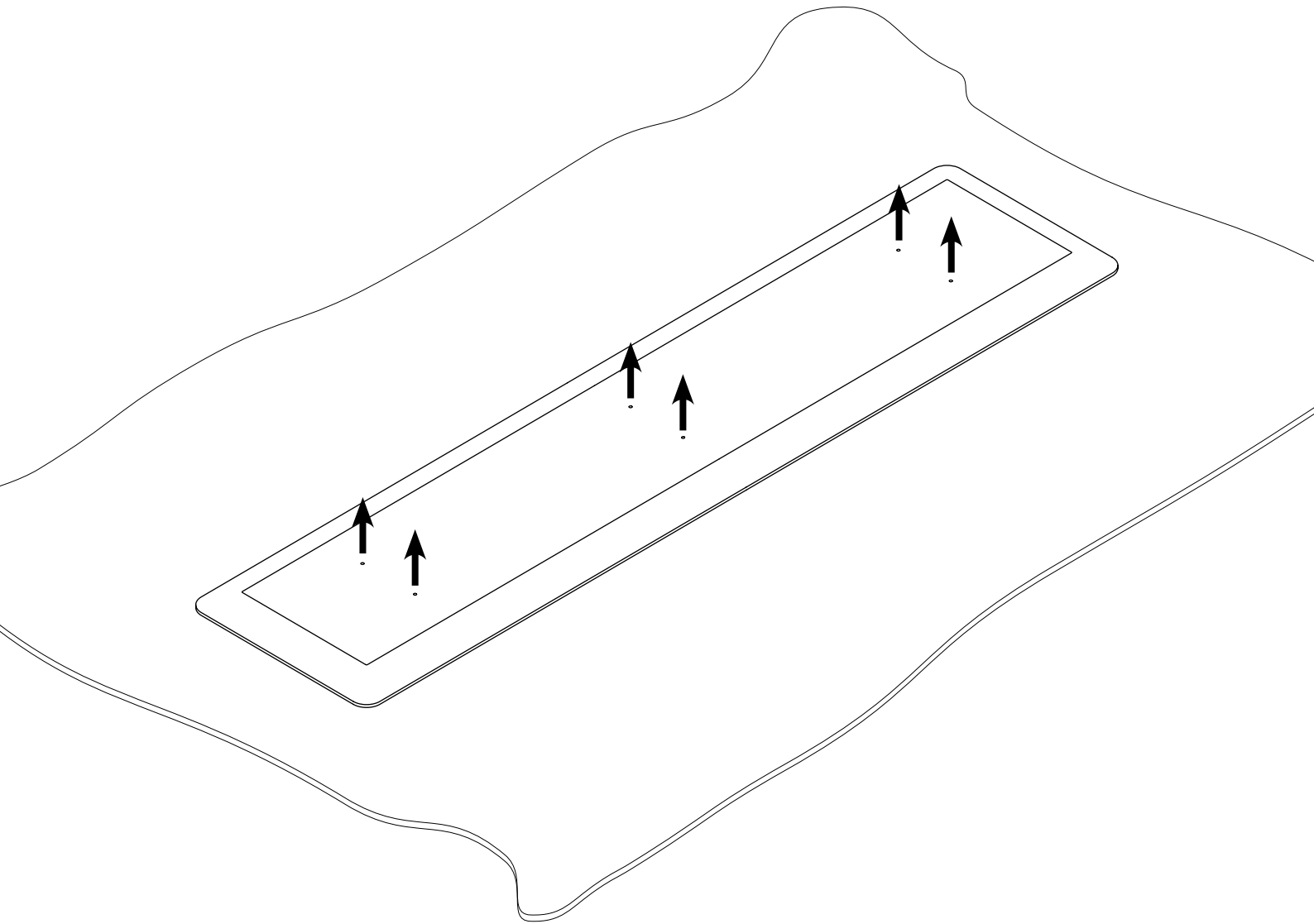
KEEP THE SCREWS IN A SECURE PLACE, YOU WILL NEED THEM FOR THE FINAL ASSEMBLY STEP.

IN THE MIDDLE OF ONE OF THE LONG RAILS YOU FIND THE SPØ1 LOGO. THIS WILL BE YOUR BACK SIDE OF THE BENCH LATER.

HOLLAND BENCH  
WITHOUT BACKREST

---

BENCH ASSEMBLY

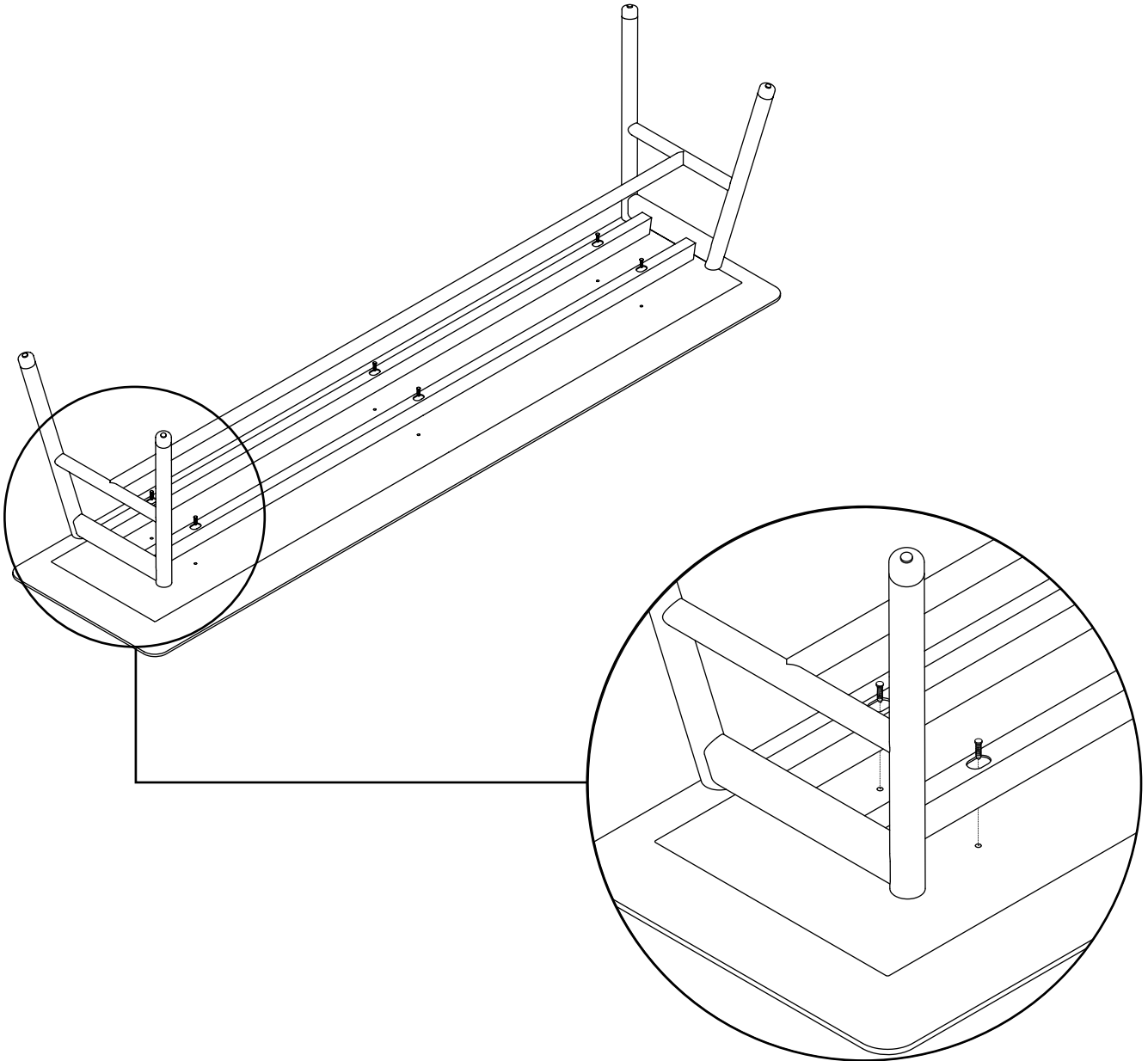


REMOVE THE WOODEN TOP FROM ITS PACKAGING AND PLACE IT UPSIDE DOWN ONTO A SOFT AND CLEAN SURFACE SUCH AS A BLANKET. THE SCREW HOLES SHOULD BE FACING UP.

HOLLAND BENCH  
WITHOUT BACKREST

---

BENCH ASSEMBLY



NOW PLACE THE METAL BASE UPSIDE DOWN ONTO THE WOODEN TOP AND FIX IT USING THE HARDWARE PROVIDED. GRADUALLY TIGHTEN ALL SCREWS.  
FINALLY TURN THE BENCH AROUND PLACING IT ONTO ITS LEGS.

SPØ1DESIGN.COM  
HOLLAND BENCH  
WITH BACKREST

---

