

HOLLAND DESK

DESIGNED BY METRICA

ASSEMBLY INSTRUCTIONS





DISCLAIMER

ENSURE THAT ALL STEPS ARE FOLLOWED IN THE CORRECT ORDER AND THAT NO STEP IS LEFT OUT.
A MINIMUM OF TWO PEOPLE ARE REQUIRED FOR ASSEMBLY.

TO PREVENT ANY DAMAGE OF THE PRODUCT, DO NOT USE A BOX CUTTER, KNIFE OR SHARP OBJECT TO OPEN THE BOXES.

DO NOT LIFT THE TABLE BY ITS TOP. IF YOU HAVE TO LIFT THE TABLE, LIFT IT BY HOLDING ONTO THE METAL STRUCTURE.

IF YOU HAVE ANY OPTIONAL SUCH AS DRAWER AND/OR SCREEN, PLEASE READ THE INSTRUCTIONS FOR YOUR OPTIONAL FIRST.

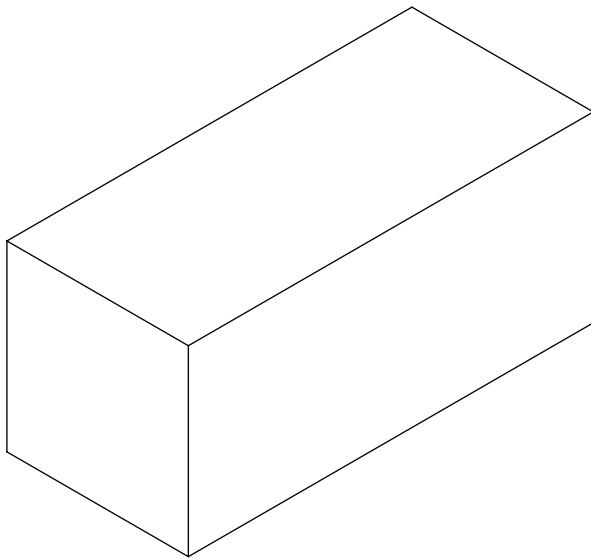
SPØ1

ASSEMBLY INSTRUCTIONS

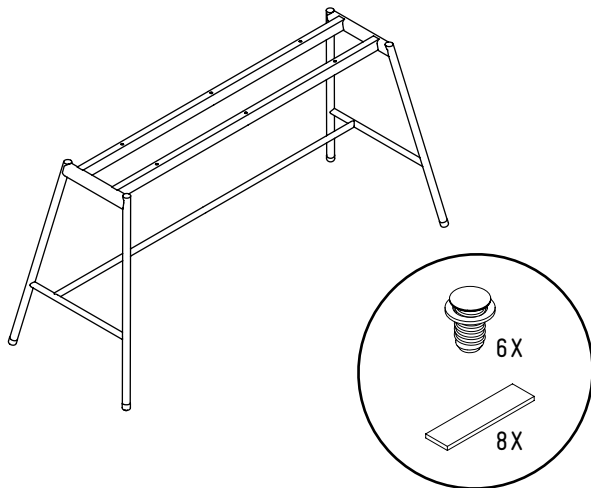
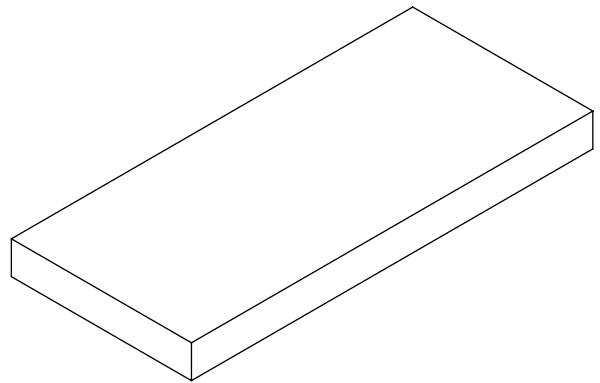
HOLLAND DESK

PACKAGING
PARTS

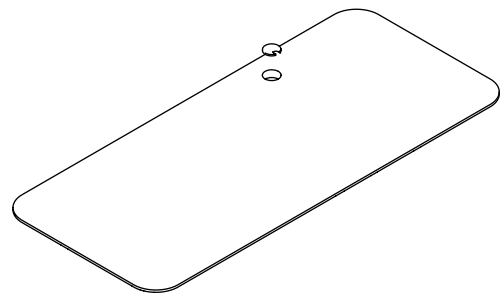
BOX WITH METAL BASE



BOX WITH TOP

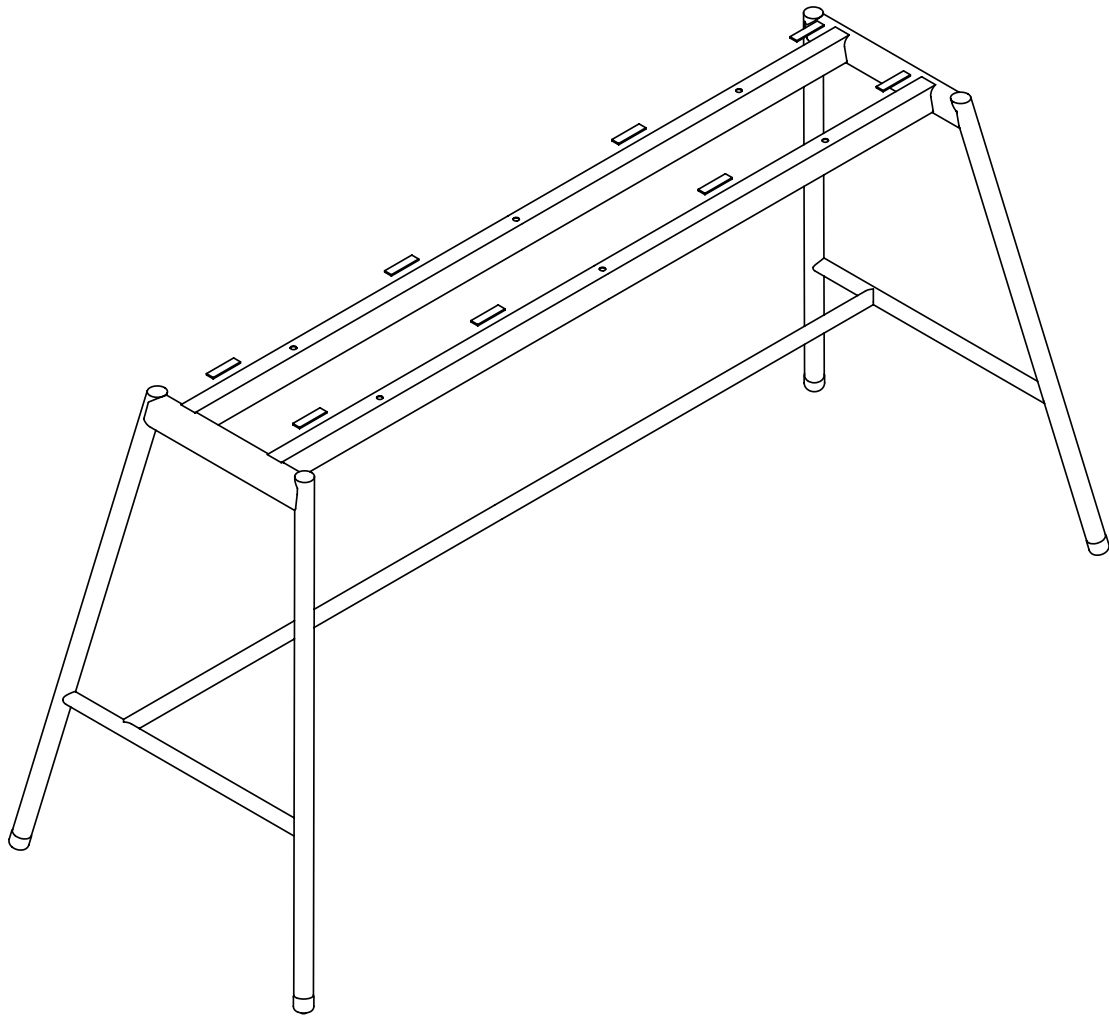


METAL BASE WITH ALREADY
ASSEMBLED FEET, 6 SCREWS AND
WASHERS AND 8 FELT PADS



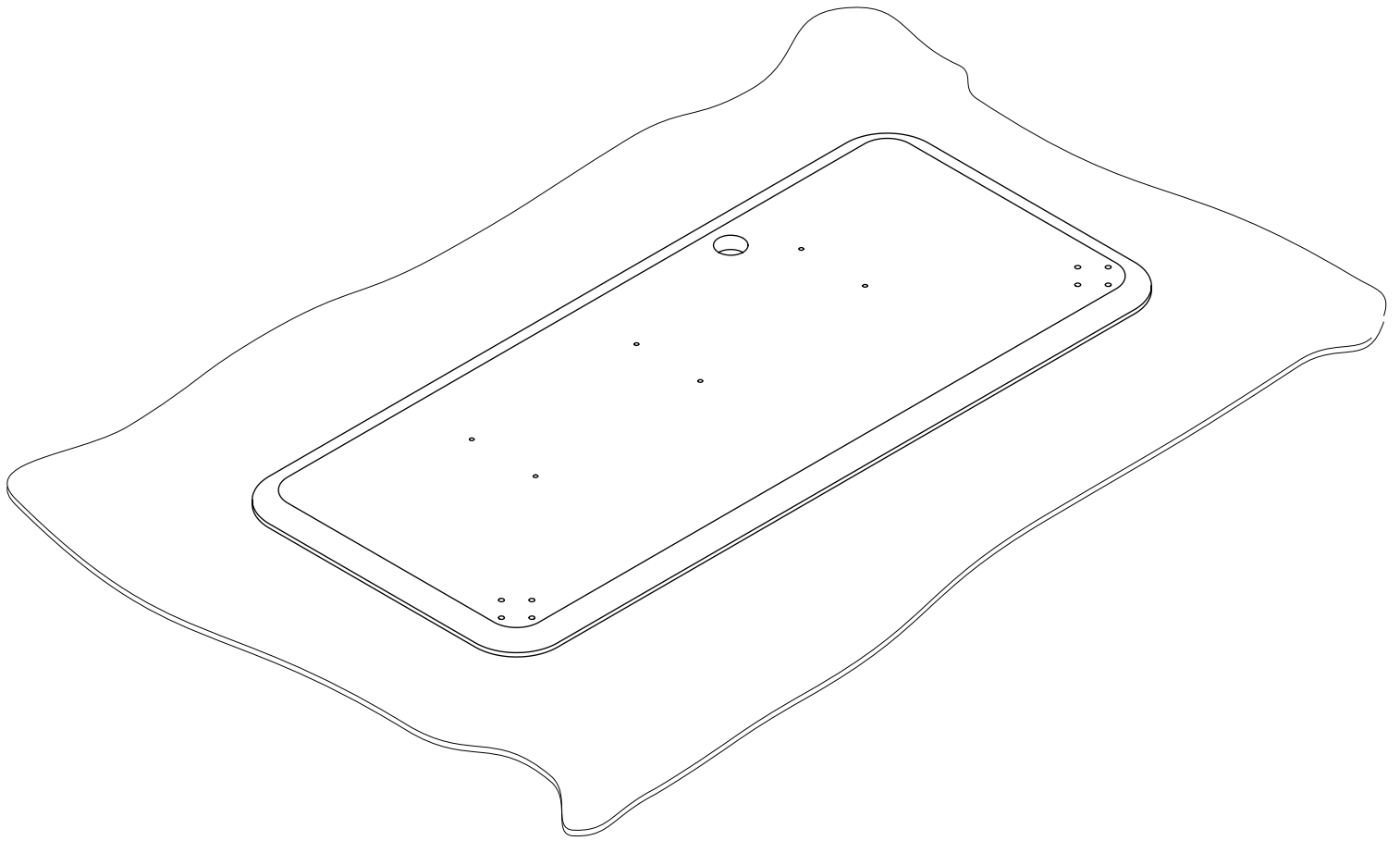
WOODEN TOP WITH CABLE
MANAGEMENT HOLE AND
COVER

TOP ASSEMBLY



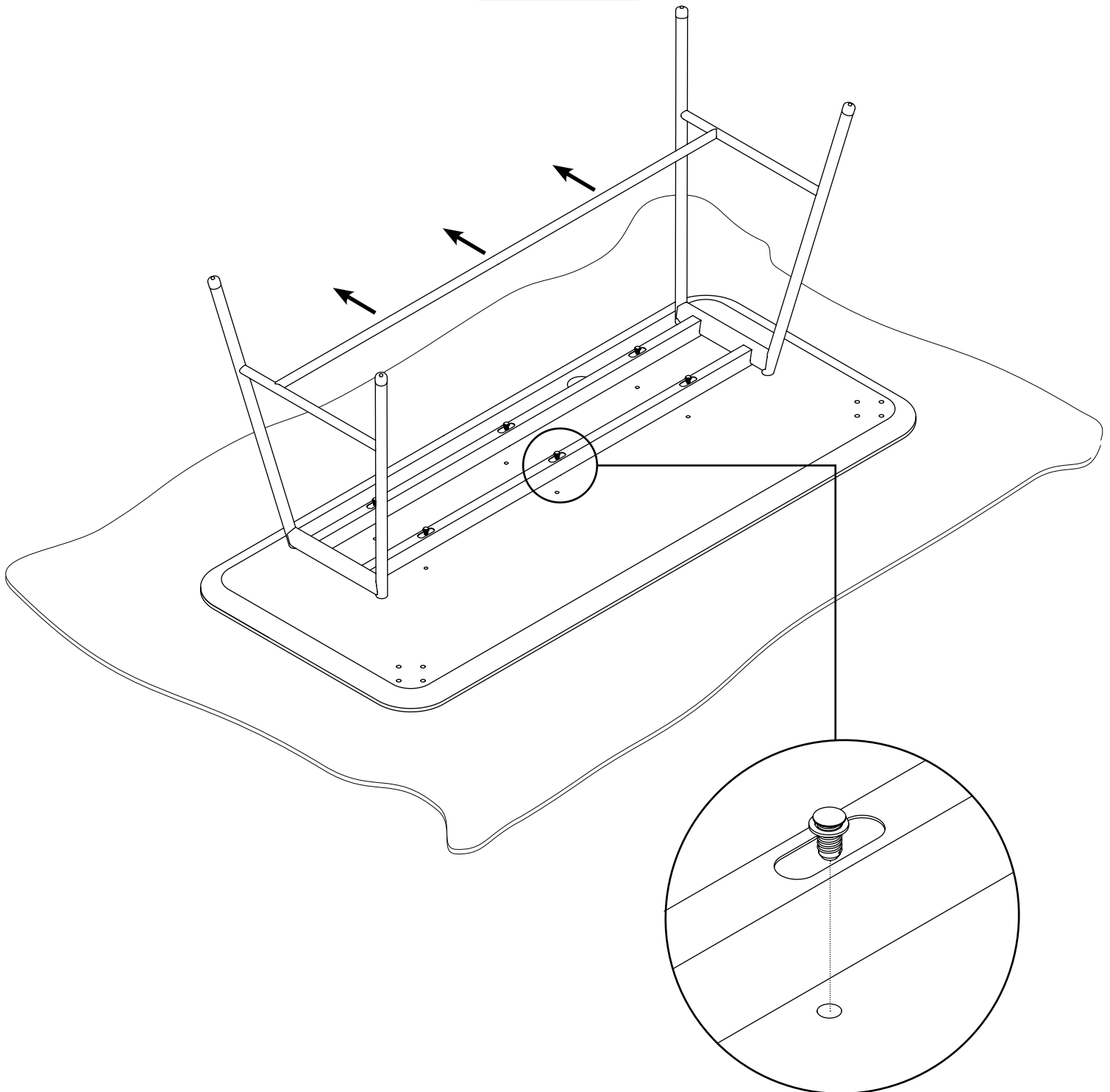
ENSURE THAT THE ADJUSTABLE FEET ARE NOT TOO TIGHT, IN CASE LOOSEN THEM A LITTLE BIT.
IF YOU WISH TO HAVE CONTRASTING FEET, ENSURE TO CHANGE THE FEET.
POSITION THE FELT PADS AS SHOWN ABOVE MAKING SURE THAT THE PADS DO NOT COVER
ANY HOLE.

TOP ASSEMBLY



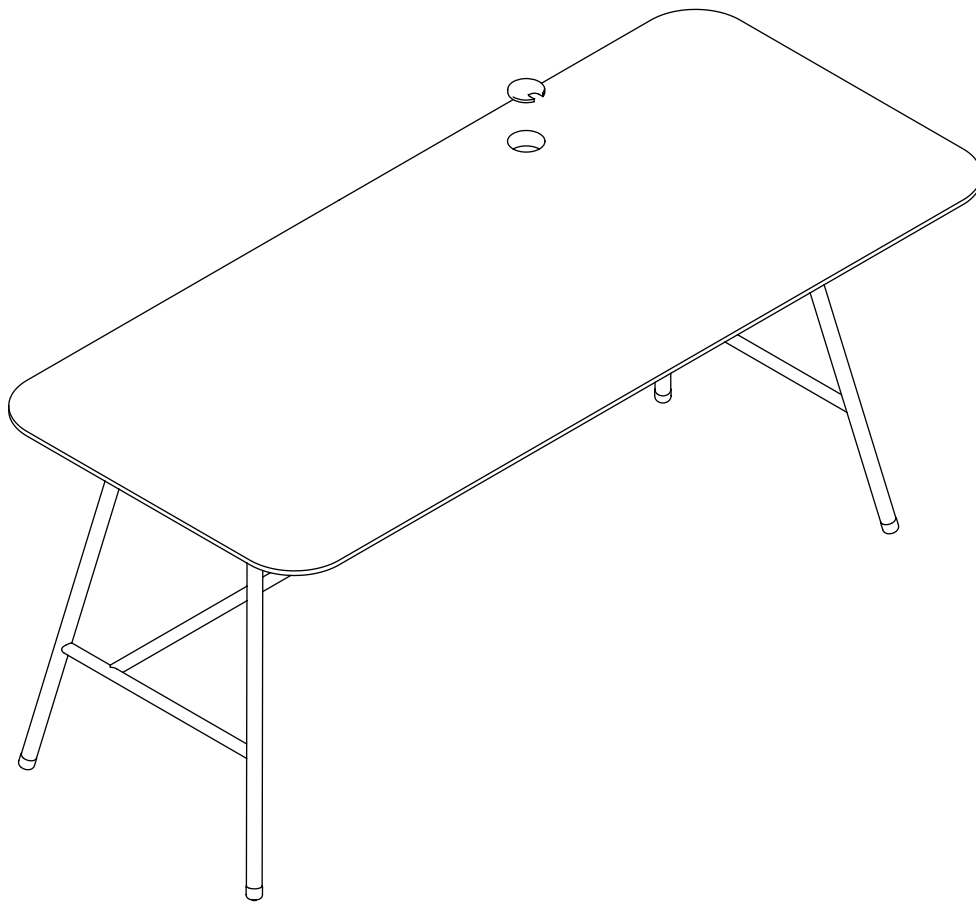
REMOVE THE WOODEN TOP FROM ITS PACAKGING AND PLACE IT UPSIDE DOWN ON A BLANKET/ SOFT AND CLEAN SURFACE WHICH WILL NOT SCRATCH OR DAMAGE THE TOP.

TOP ASSEMBLY

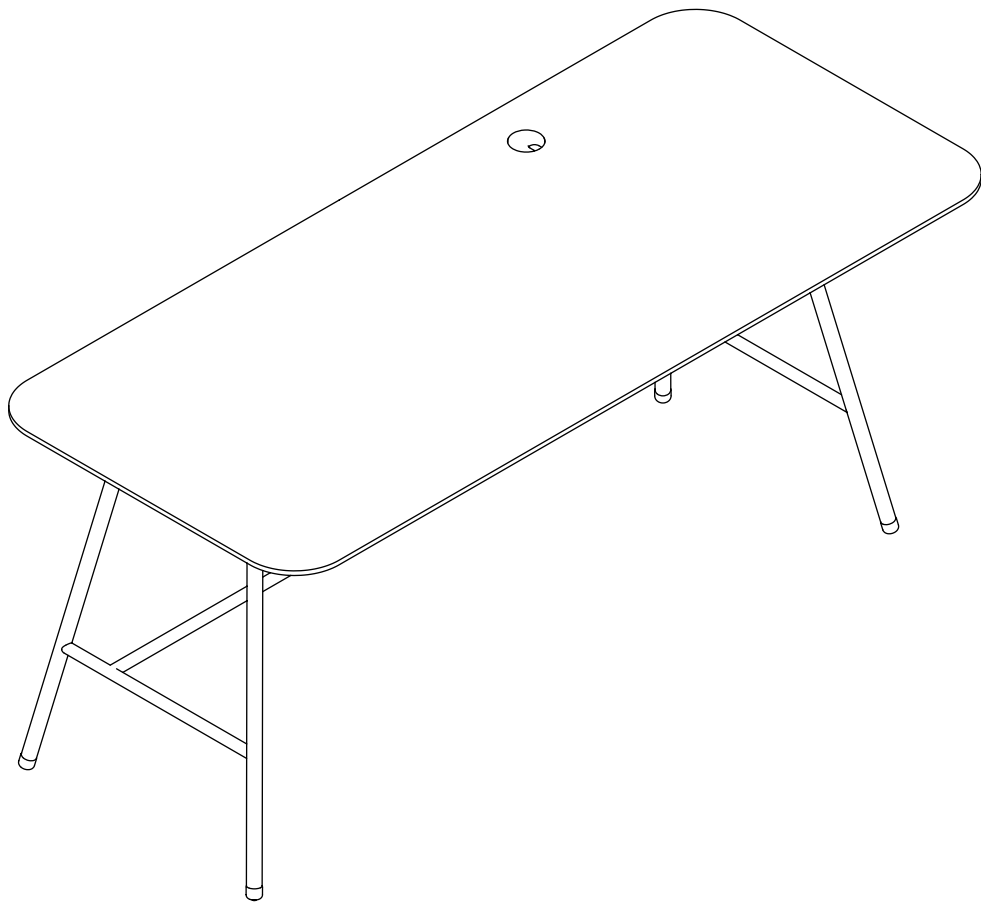


PLACE THE METAL BASE ONTO THE TOP MAKING SURE THAT THE FOOTREST TUBE IS FACING OUT/
TOWARDS THE CABLE MANAGEMENT HOLE.
NOW INSERT THE SCREWS AND WASHERS FIXING THE STRUCTURE ONTO THE TOP USING THE PROVIDED
ALLEN KEY. TIGHTEN ALL THE SCREWS AND PLACE THE DESK ON ITS LEGS.

TOP ASSEMBLY



INSERT THE CABLE MANAGEMENT COVER INTO THE HOLE IN THE WOODEN TOP.





ASSEMBLY INSTRUCTIONS

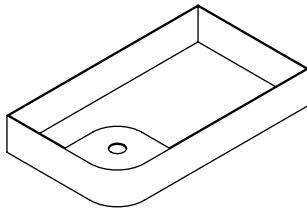
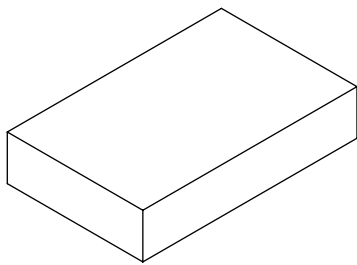
HOLLAND DRAWER

WE RECOMMEND TO MOUNT THE DRAWER BEFORE
MOUNTING THE FRAME TO THE DESK TOP.

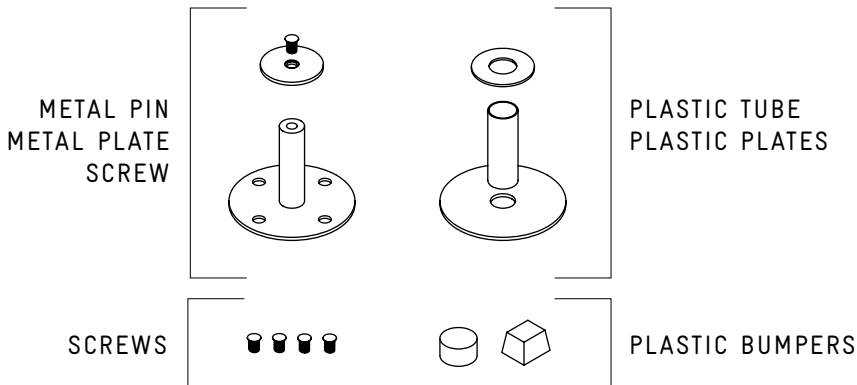
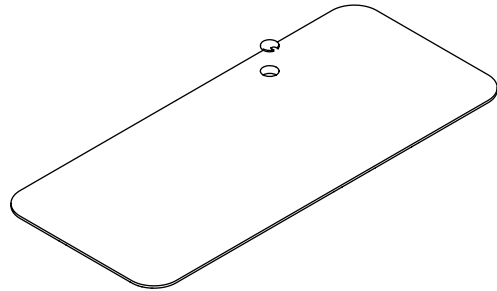
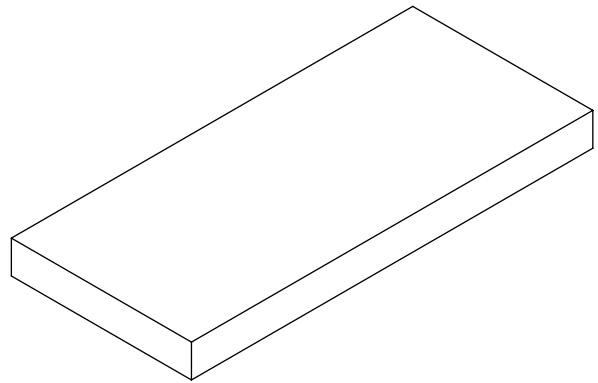
HOLLAND DESK DRAWER

PACKAGING
PARTS

BOX WITH DRAWER



BOX WITH TOP

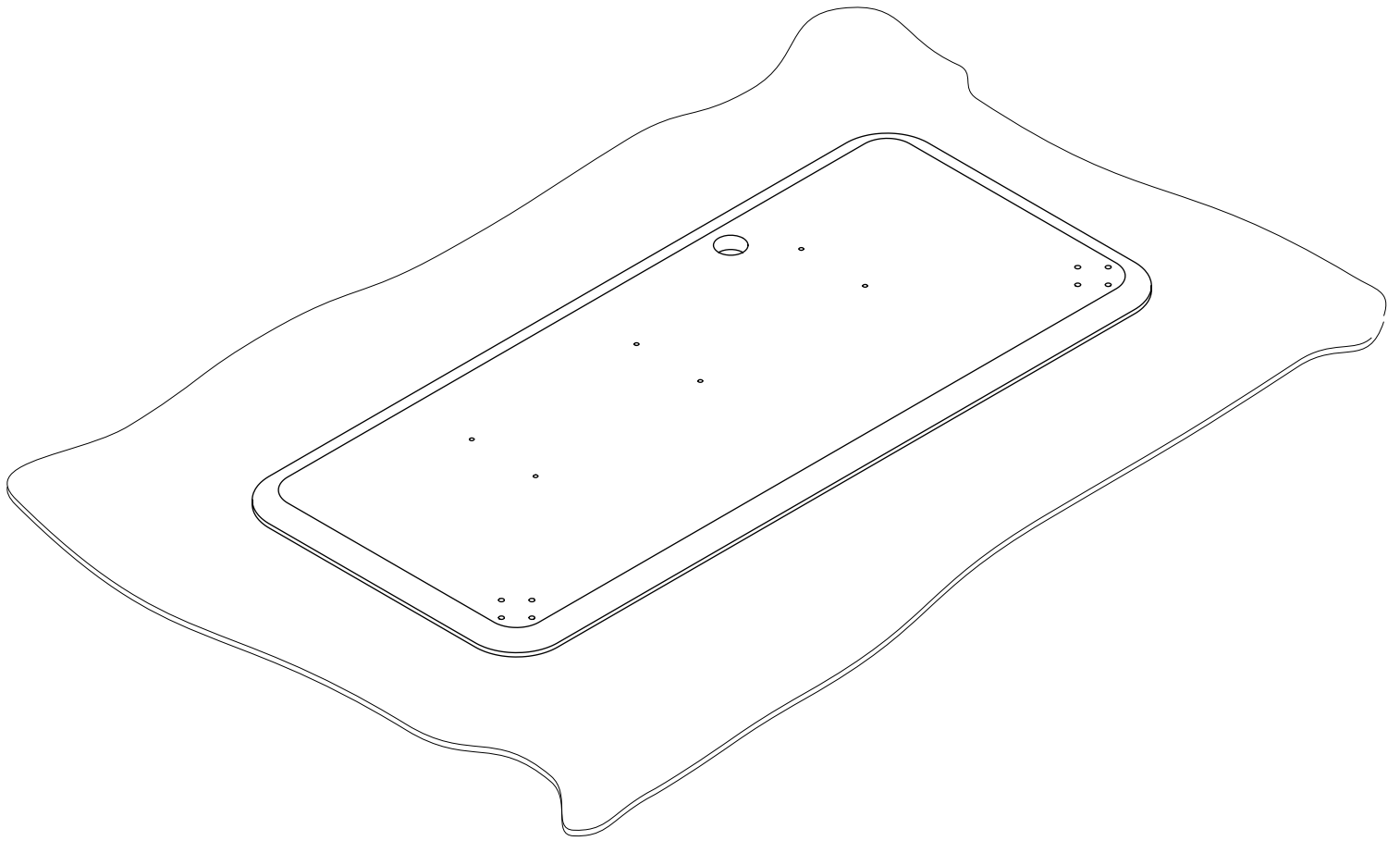


METAL DRAWER WITH METAL PIN AND PLATE
PLUS SCREW, 4 SCREWS, PLASTIC TUBE AND
PLATES, ROUND AND SQUARE PLASTIC BUMPERS

WOODEN TOP WITH CABLE
MANAGEMENT HOLE AND
COVER

HOLLAND DESK DRAWER

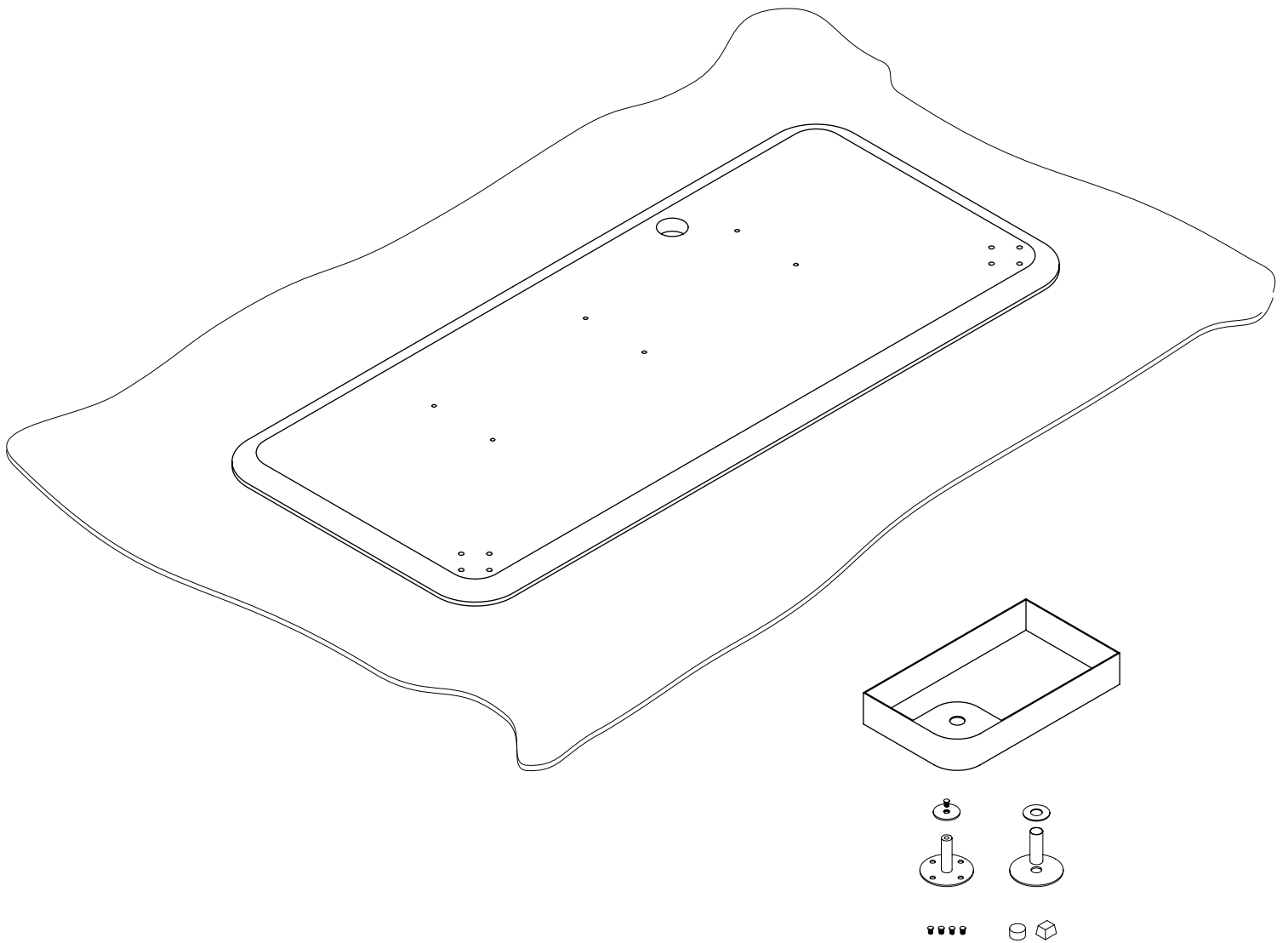
DRAWER ASSEMBLY



REMOVE THE WOODEN TOP FROM ITS PACAKGING AND PLACE IT UPSIDE DOWN ON A BLANKET/ SOFT AND CLEAN SURFACE WHICH WILL NOT SCRATCH OR DAMAGE THE TOP.

HOLLAND DESK DRAWER

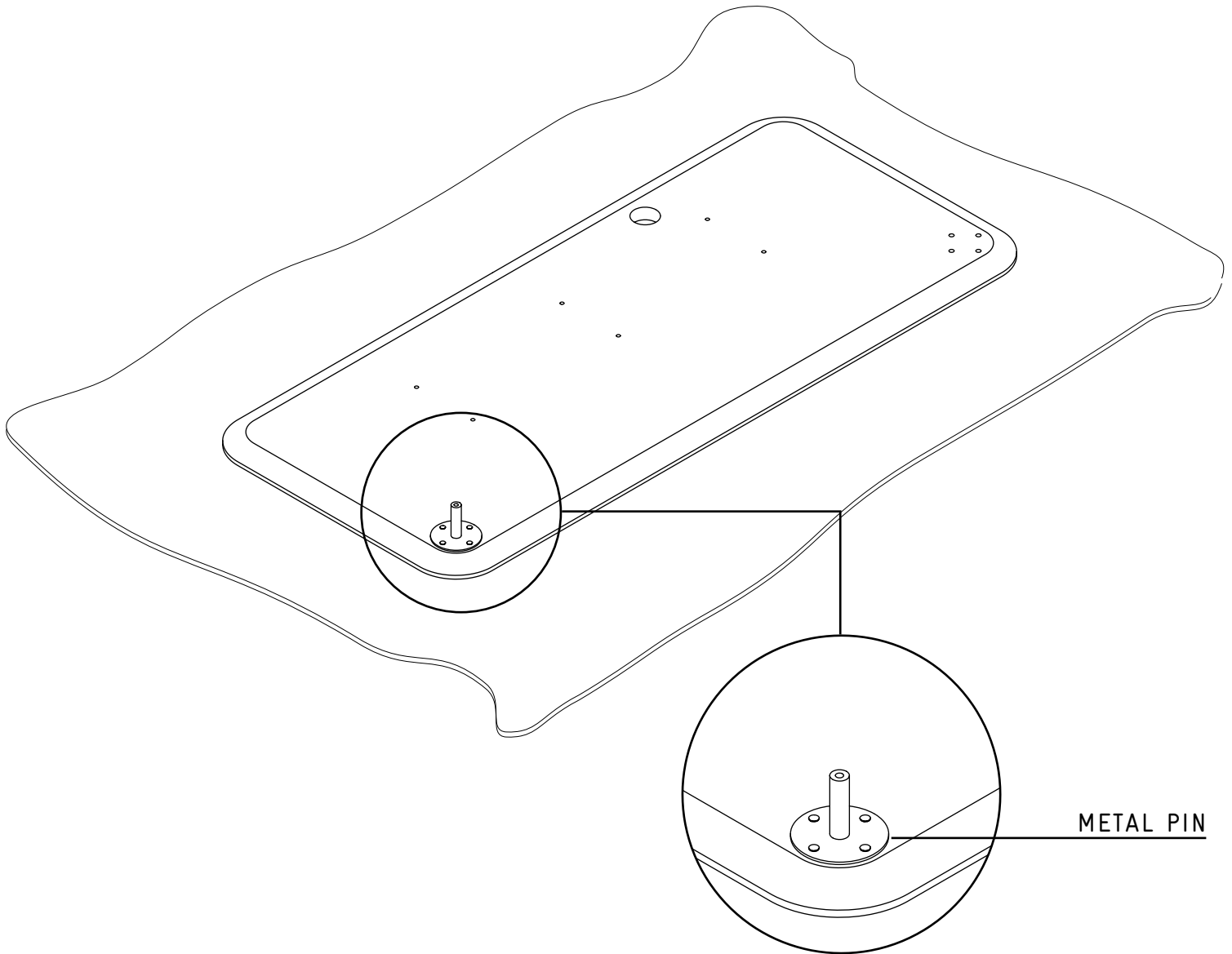
DRAWER ASSEMBLY



TAKE THE DRAWER AND ITS HARDWARE OUT OF THE BOX.
ENSURE TO CHOOSE THE CORRECT SIDE FOR ASSEMBLY OF YOUR LEFT OR RIGHT DRAWER AS THEY ARE NOT INTERCHANGEABLE.

HOLLAND DESK DRAWER

DRAWER ASSEMBLY

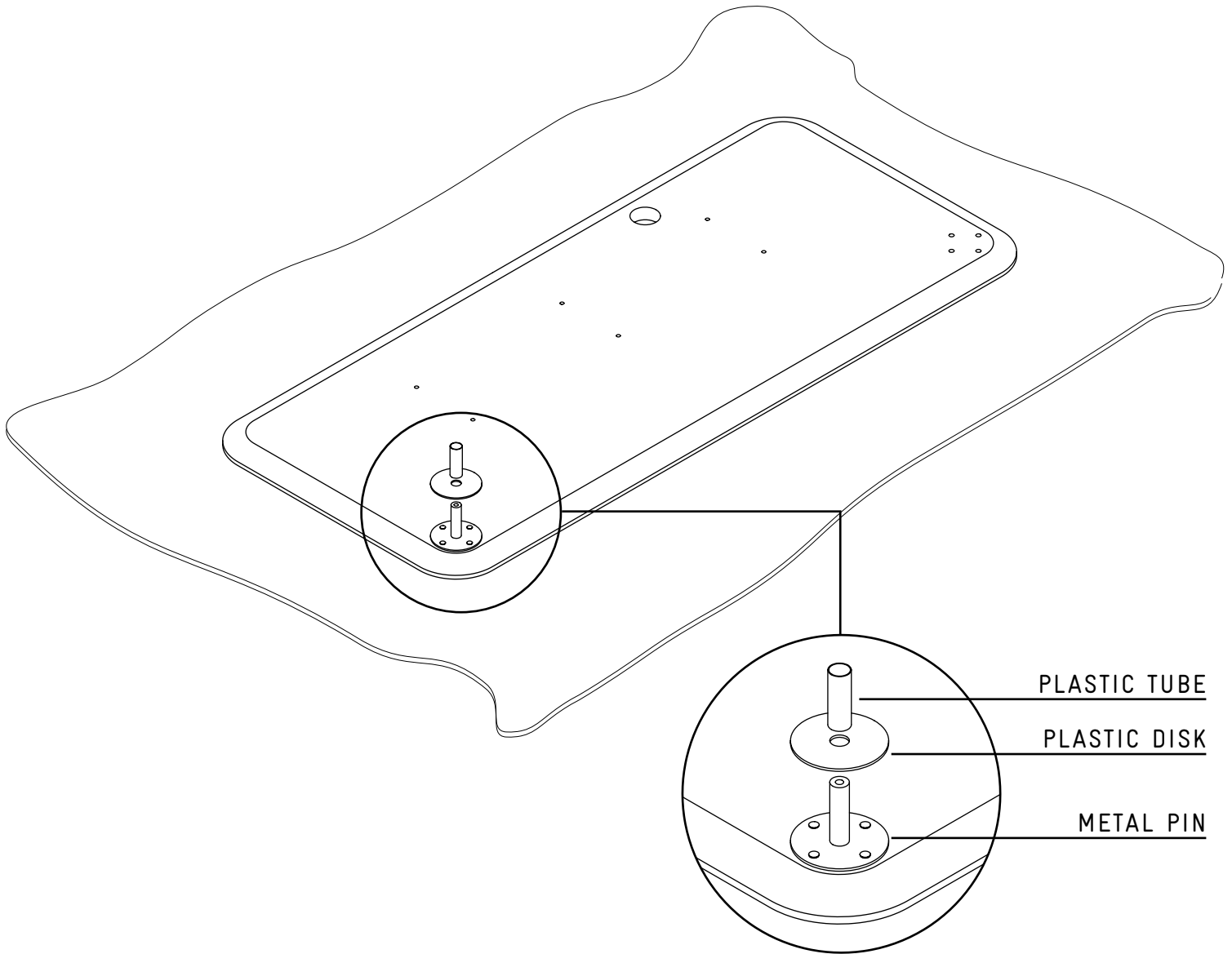


METAL PIN

FIX THE METAL PIN WITH THE FOUR SHORT SCREWS PROVIDED ONTO THE TOP.

HOLLAND DESK DRAWER

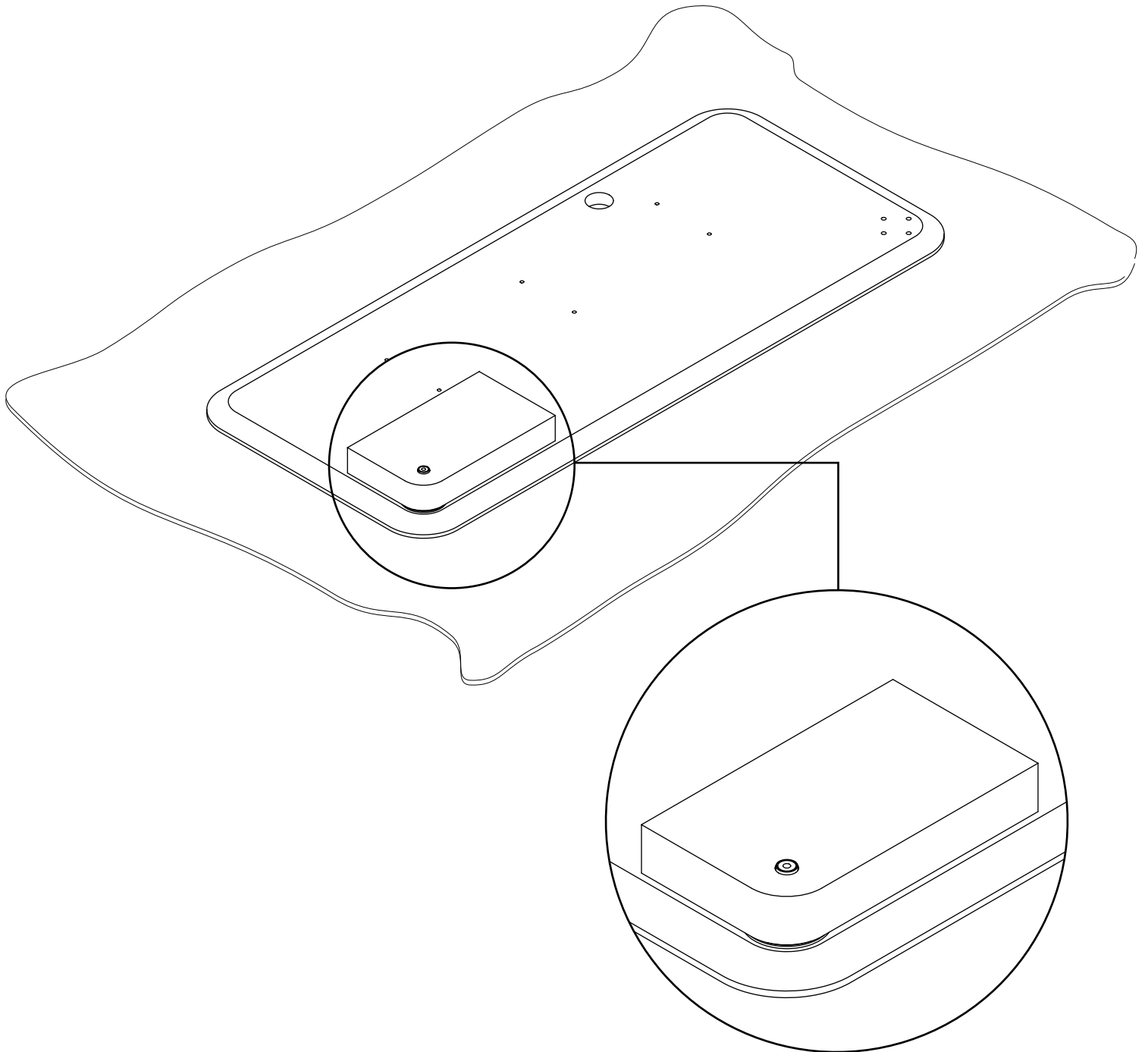
DRAWER ASSEMBLY



PLACE THE PLASTIC DISK AND TUBE ONTO THE ASSEMBLED METAL PIN COVERING THE METAL PARTS.

HOLLAND DESK DRAWER

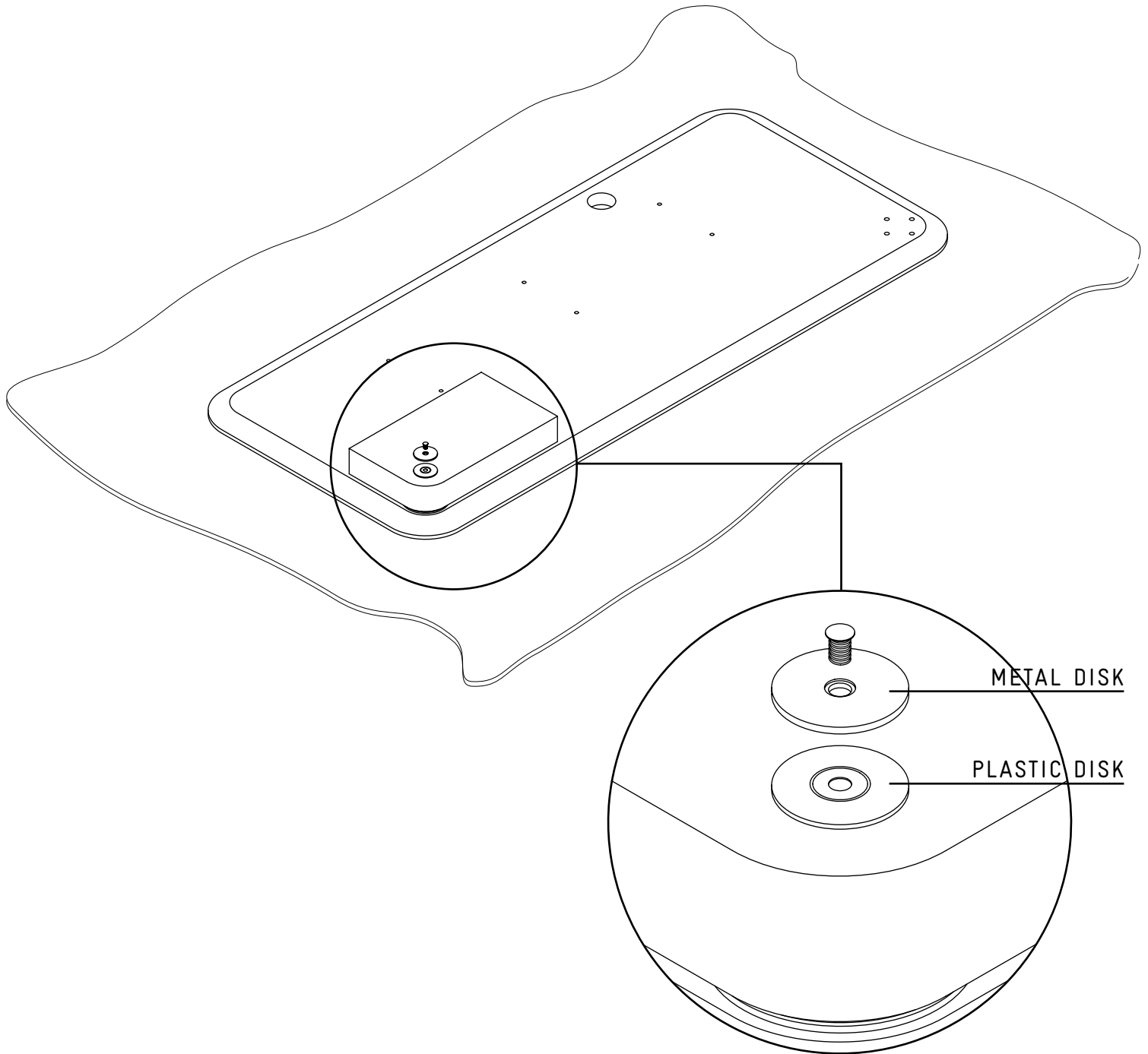
DRAWER ASSEMBLY



PLACE THE DRAWER UPSIDE DOWN ONTO THE PIN.

HOLLAND DESK DRAWER

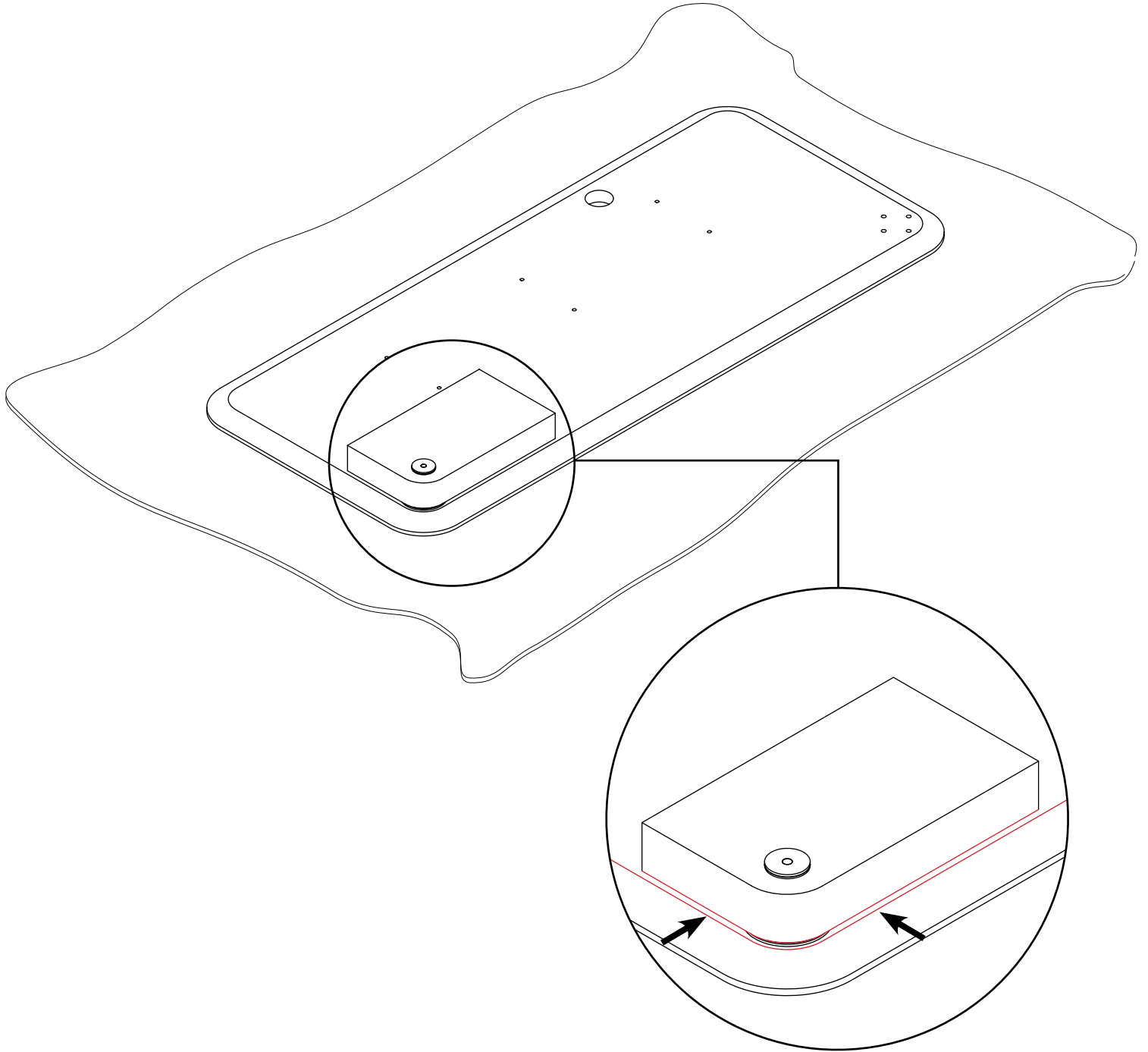
DRAWER ASSEMBLY



FIRST PLACE THE PLATIC PLATE AND THEN THE METAL PLATE AND FIX EVERYTHING WITH THE SCREW PROVIDED.

HOLLAND DESK DRAWER

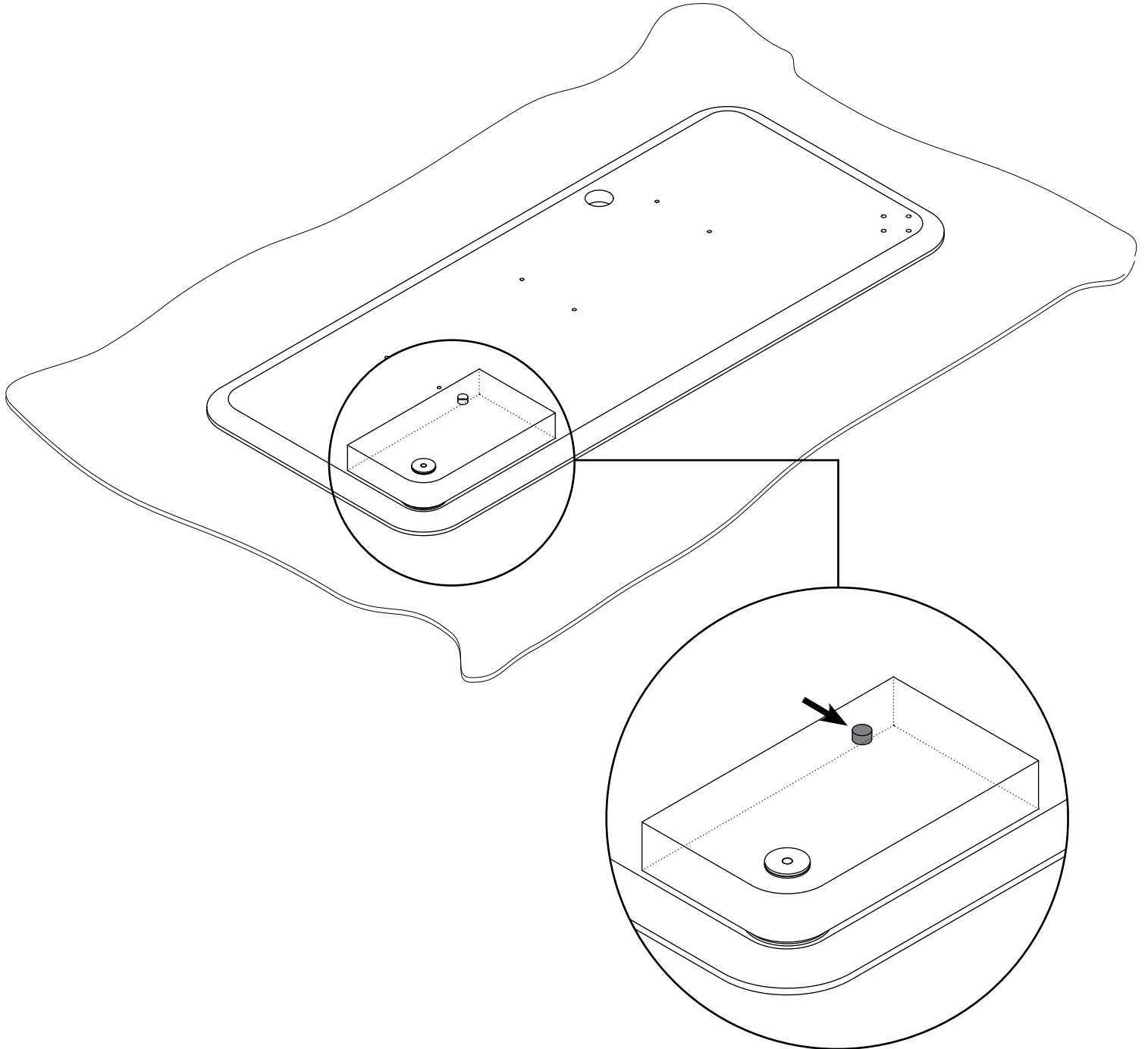
DRAWER ASSEMBLY



MAKE SURE THAT THE DRAWER IS SITTING PARALLEL ON THE TOP.

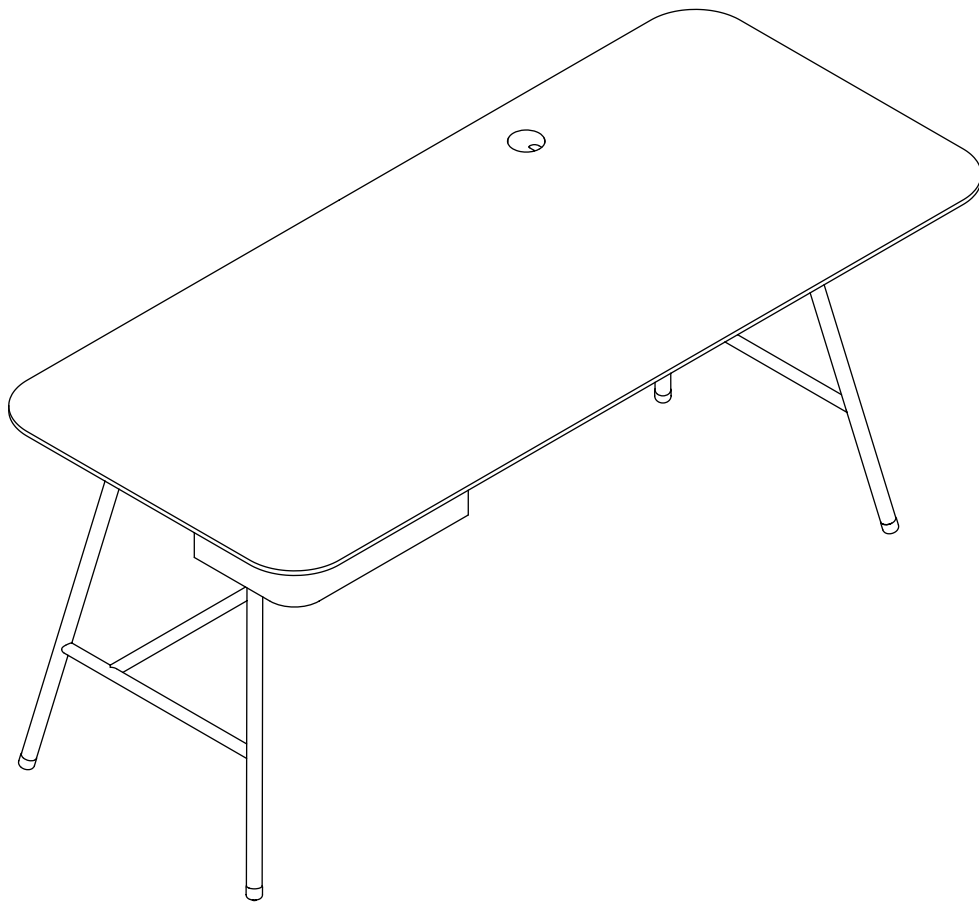
HOLLAND DESK DRAWER

DRAWER ASSEMBLY



PLACE THE SELF ADHESIVE ROUND OR SQUARE RUBBER STOPPER ONTO THE CLEAN WOODEN SURFACE. IT SHOULD BE POSITIONED ON THE BACK AND KEEP THE DRAWER IN POSITION. NOW PROCEED WITH THE GENERAL DESK ASSEMBLY.

HOLLAND DESK DRAWER



SPØ1

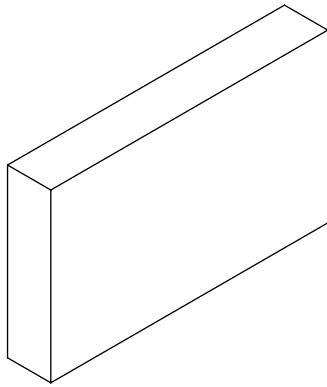
ASSEMBLY INSTRUCTIONS

HOLLAND SCREEN

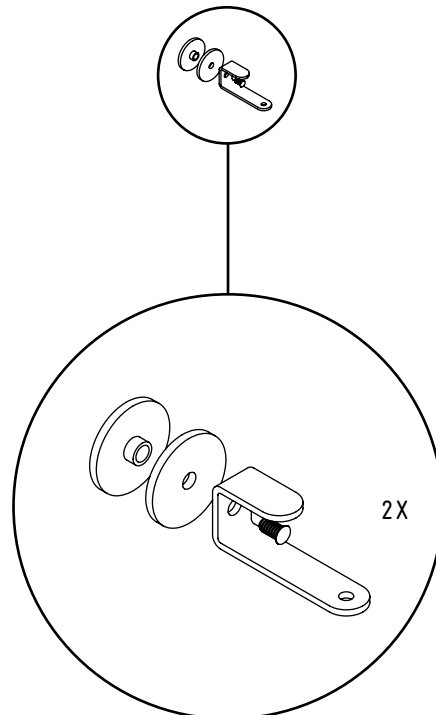
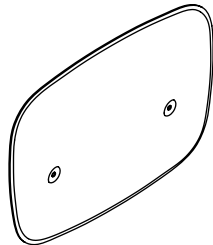
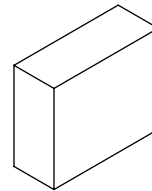
HOLLAND DESK SCREEN

PACKAGING
PARTS

BOX WITH SCREEN



BOX WITH METAL BRACKETS

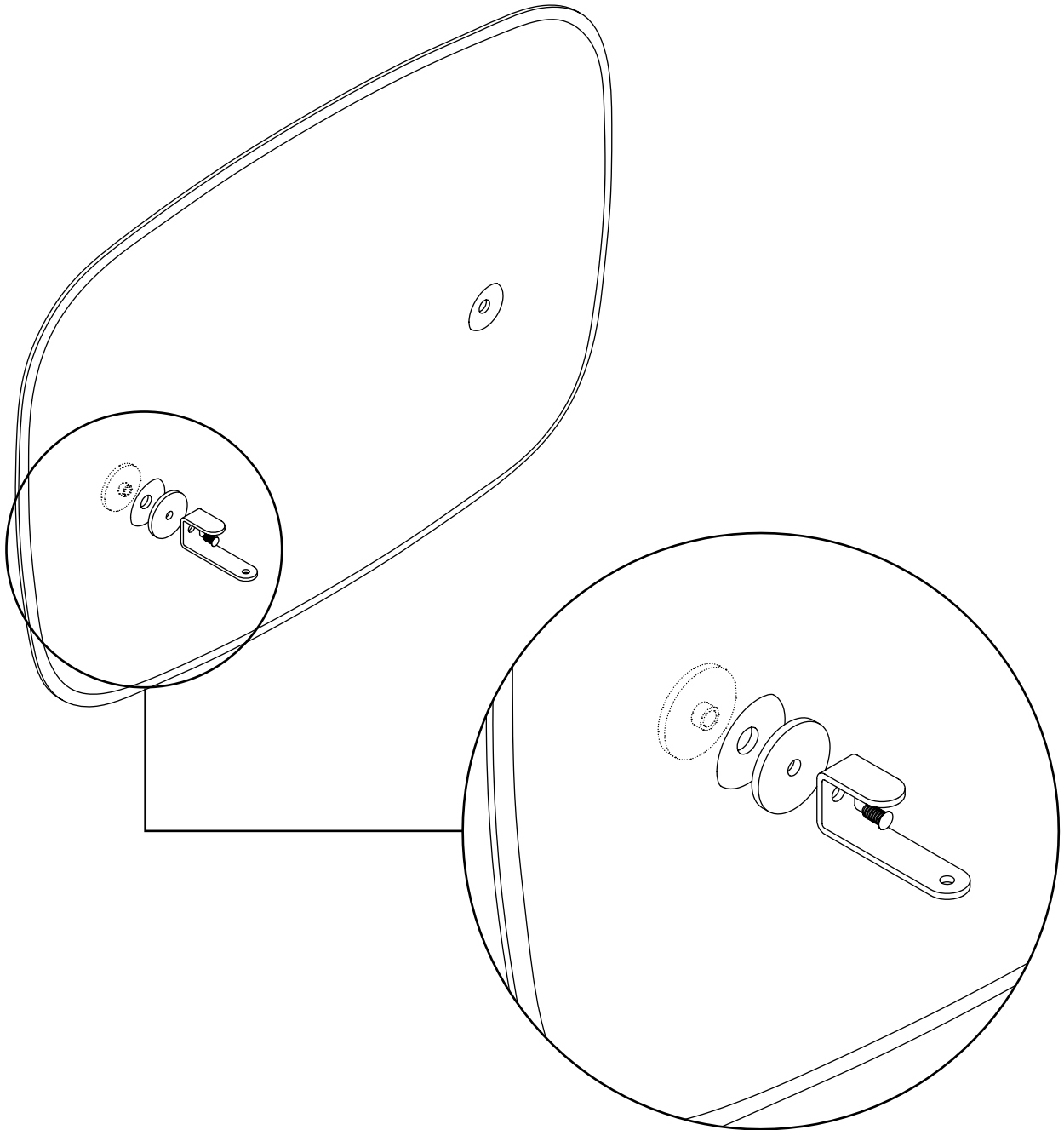


SOUND ABSORBING SCREEN

CLOSED WASHER, WASHER,
METAL L, SCREW

HOLLAND DESK SCREEN

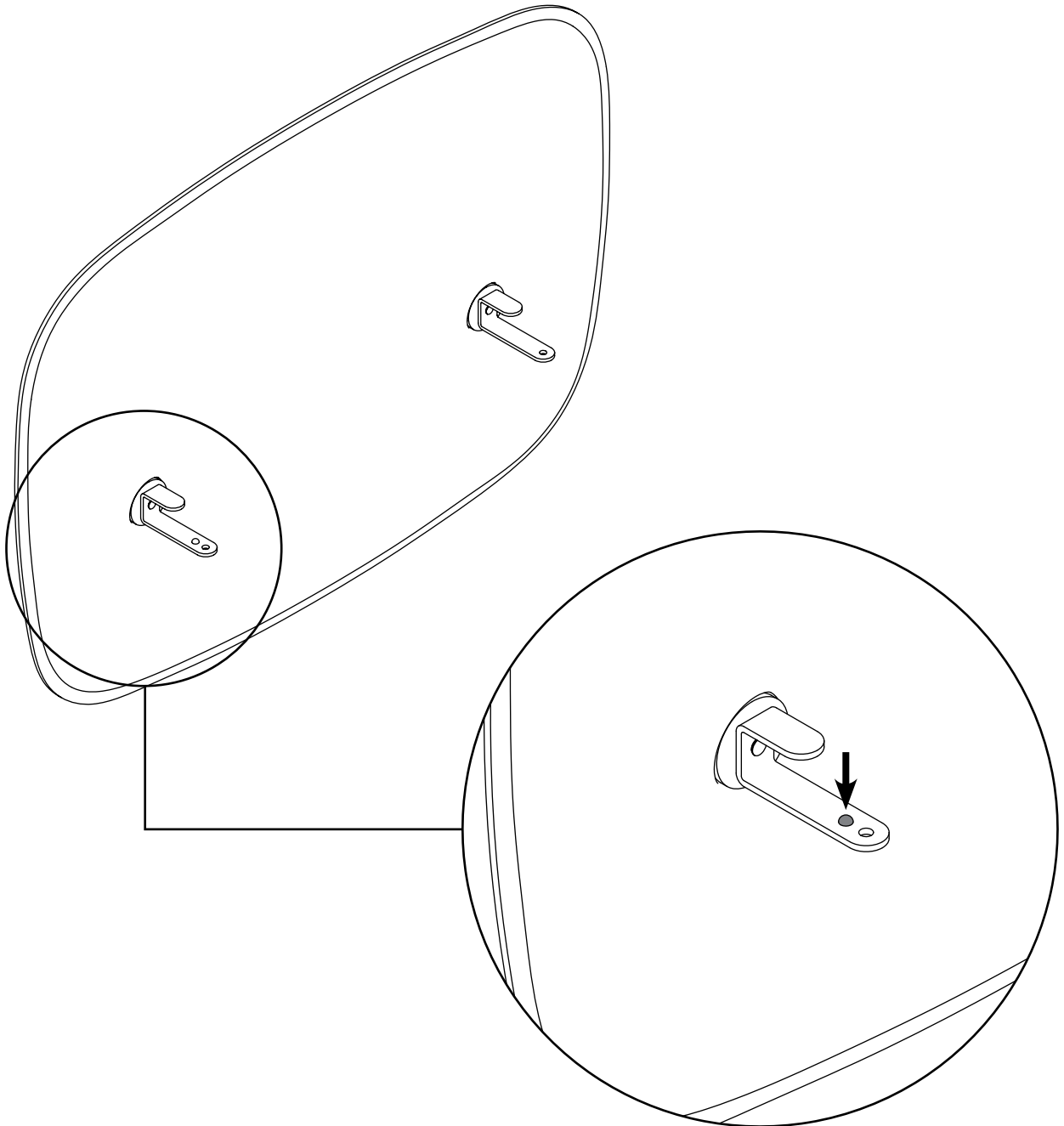
SCREEN ASSEMBLY



REMOVE THE SCREEN AND THE METAL BRACKETS FROM THEIR PACKAGING.
PLACE THE CLOSED WAHSER INTO THE REBATE ON ONE SIDE OF THE SCREEN. FROM THE OTHER SIDE,
PLACE THE WASHER WITH HOLE INTO THE REBATE AND PLACE THE METAL L ON TOP. FIX EVERYTHING
WITH THE PROVIDED SCREW AND ALLEN KEY.

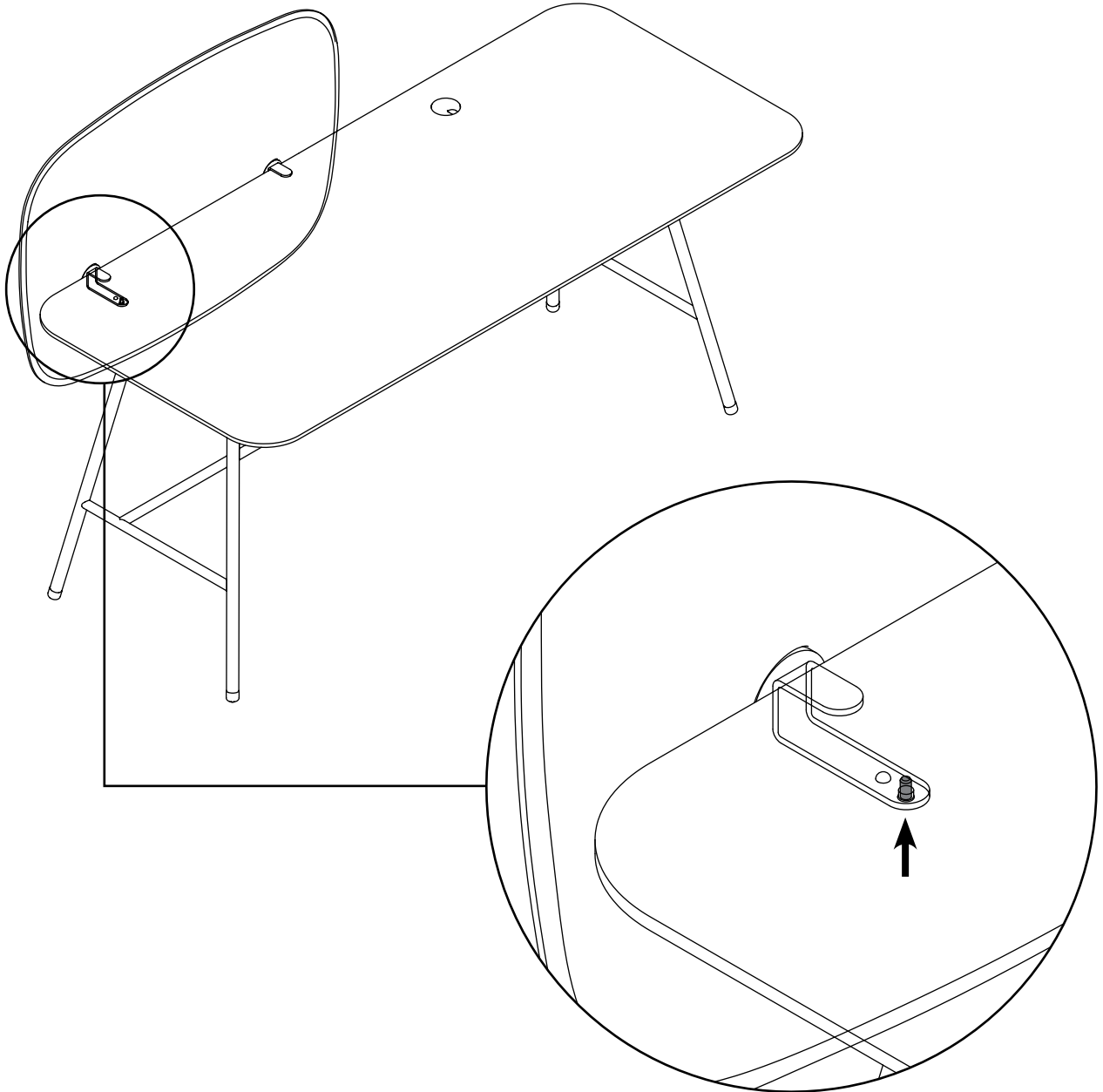
HOLLAND DESK SCREEN

SCREEN ASSEMBLY



PLACE ONE RUBBER POINT ONTO THE LONG SIDE OF EACH METAL BRACKET AND PLACE THE SCREEN ONTO THE WOODEN TOP KEEPING THE LONG SIDE OF THE BRACKET UNDER THE TOP.

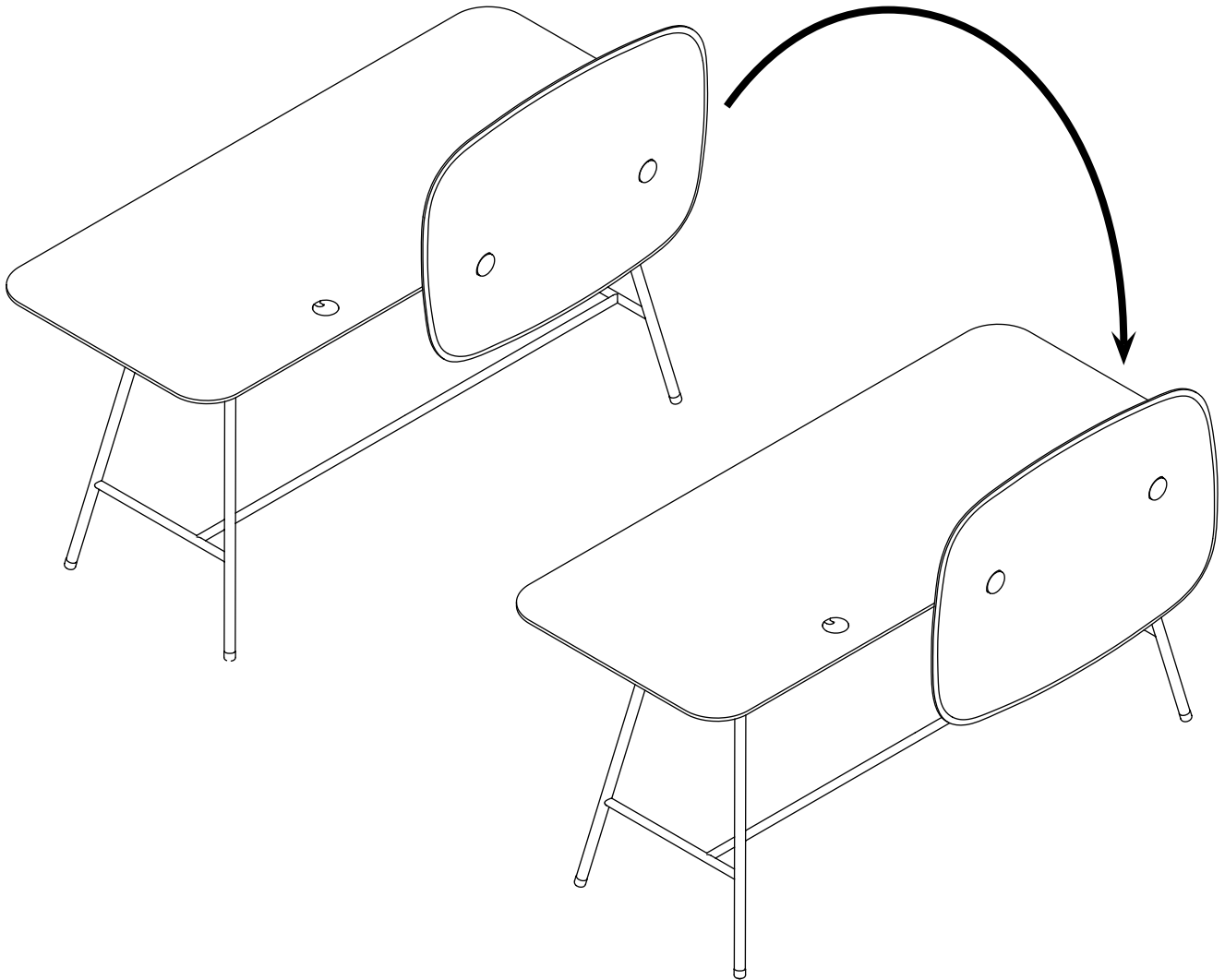
SCREEN ASSEMBLY



IF YOU WISH TO FIX THE SCREEN PERMANENTLY ONTO THE TABLE TOP, PLEASE USE THE SMALL SCREW PROVIDED.

HOLLAND DESK SCREEN

SCREEN ASSEMBLY



BY ROTATING THE METAL L YOU CAN USE THE SCREEN EITHER AS PRIVACY SCREEN OR AS MODESTY PANEL.

HOLLAND DESK SCREEN

