

PARISI

DESIGNED BY TOM FEREDAY

ASSEMBLY INSTRUCTIONS





DISCLAIMER

ENSURE THAT ALL STEPS ARE FOLLOWED IN THE CORRECT ORDER AND
THAT NO STEP IS LEFT OUT.
A MINIMUM OF TWO PEOPLE ARE REQUIRED FOR ASSEMBLY.

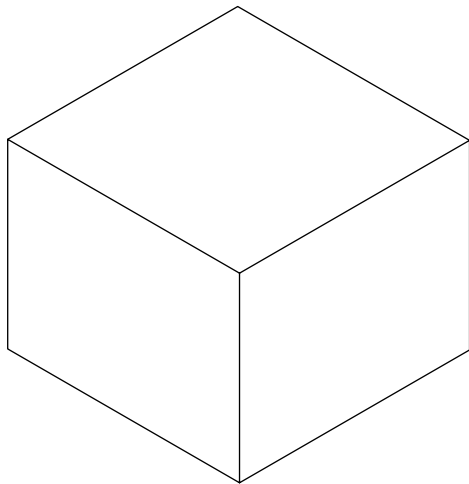
TO PREVENT ANY DAMAGE OF THE PRODUCT, DO NOT USE A BOX CUTTER,
KNIFE OR SHARP OBJECT TO OPEN THE BOXES.

DO NOT LIFT THE TABLE BY ITS TOP. IF YOU HAVE TO LIFT THE TABLE,
LIFT IT BY HOLDING ONTO THE METAL STRUCTURE.

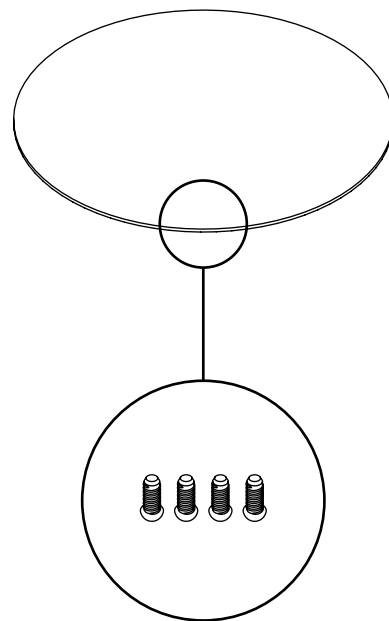
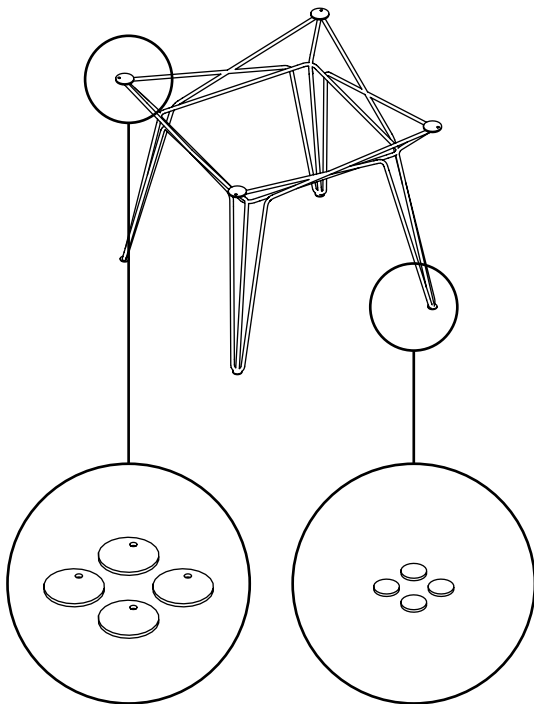
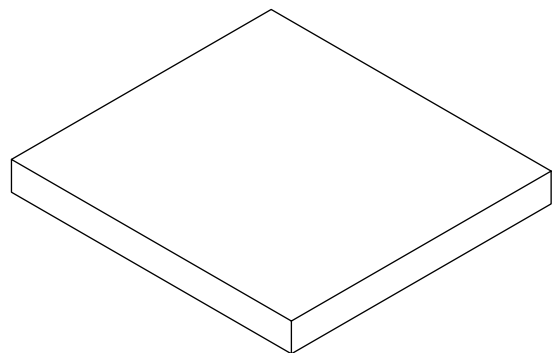
PARISI TABLE

PACKAGING
PARTS

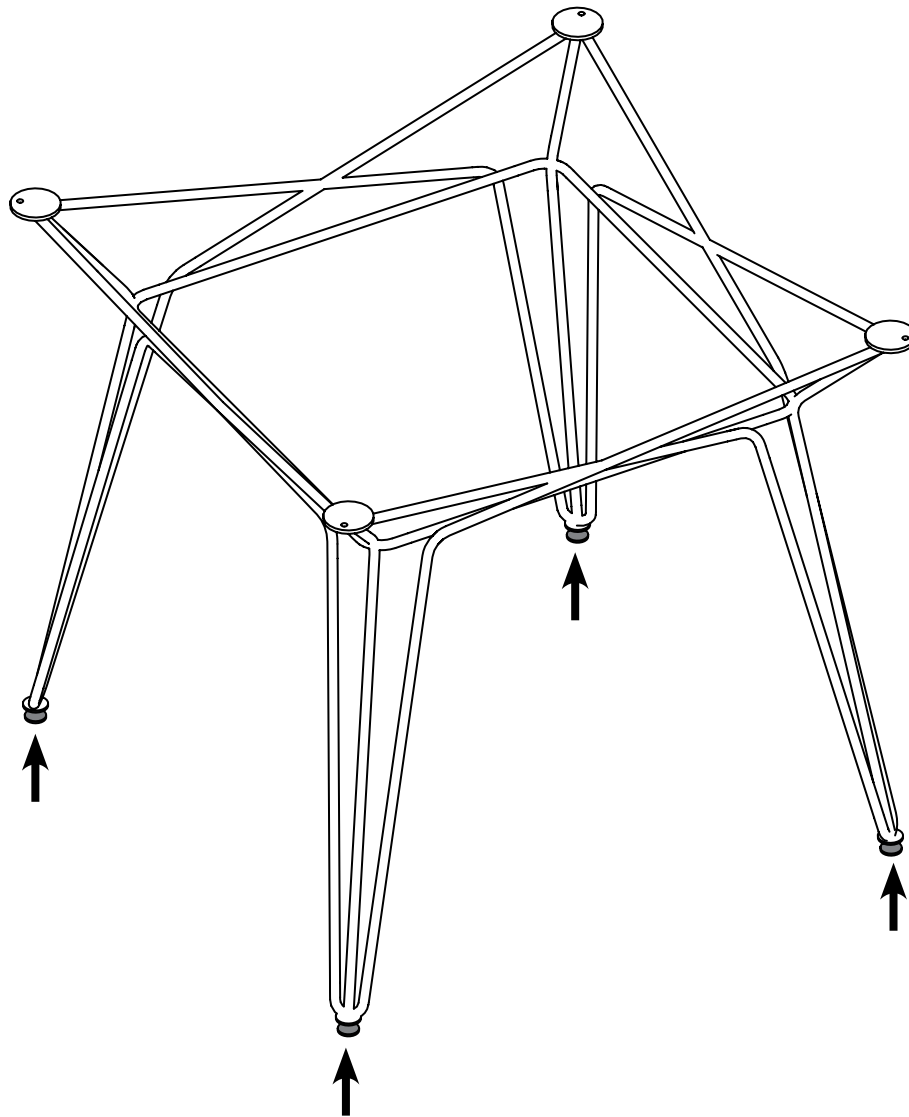
BOX WITH METAL BASE



BOX WITH TOP

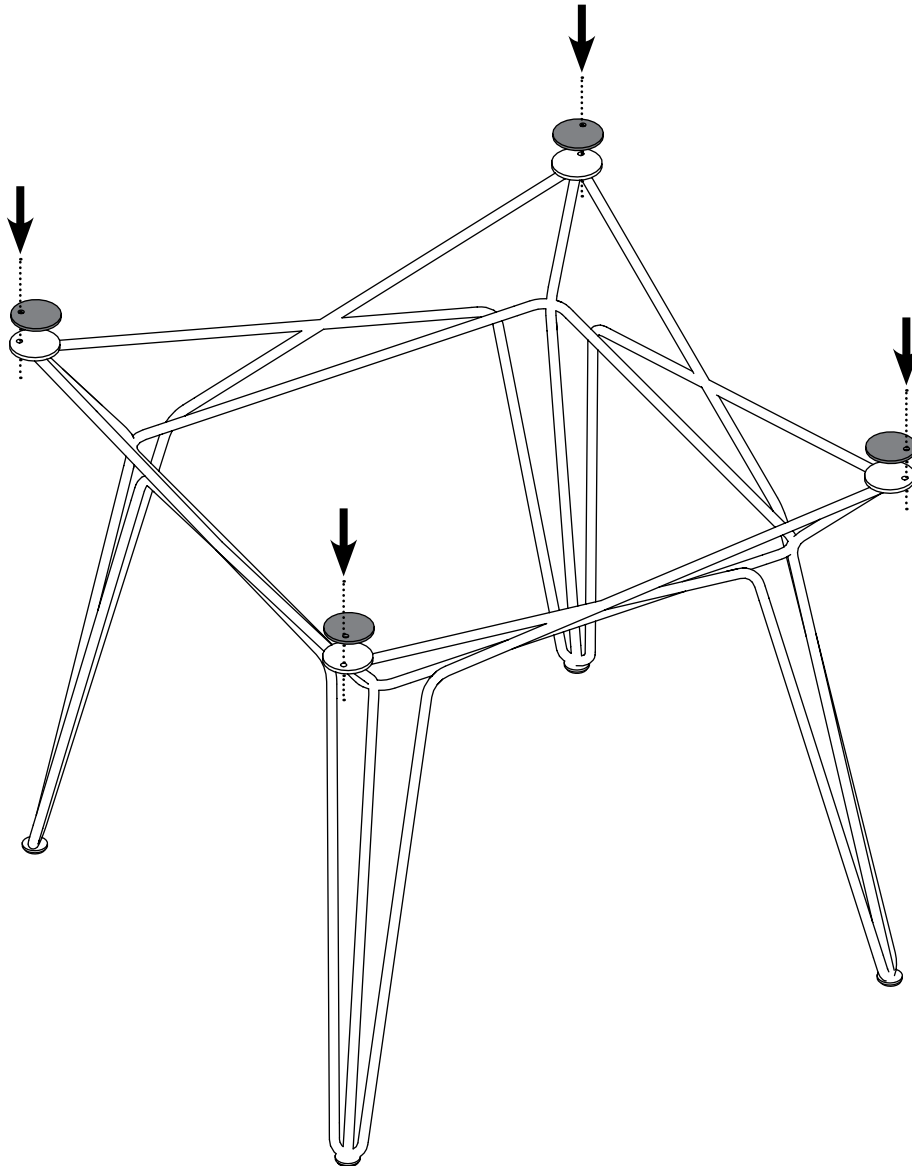


STRUCTURE ASSEMBLY



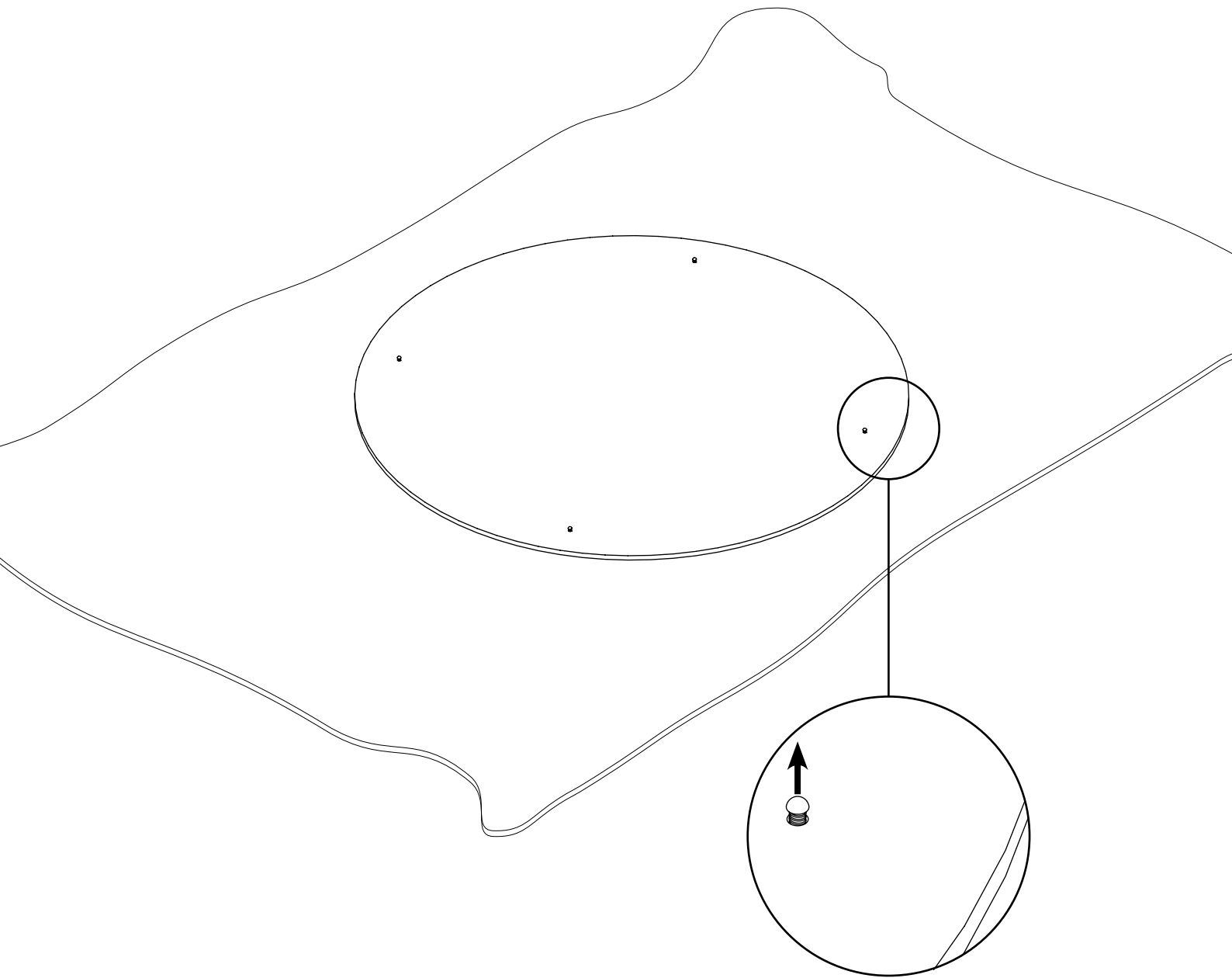
TAKE THE METAL FRAME OUT OF ITS BOX.
THE FELT AND PLASTIC FEET ARE IN A BAG ATTACHED TO THE STRUCTURE. APPLY EITHER THE PLASTIC
OR THE FELT FEET ONTO THE METAL FEET.
WE RECCOMEND TO USE PLASTIC FEET FOR OUTDOOR AND FELT FEET FOR INDOOR.

STRUCTURE ASSEMBLY

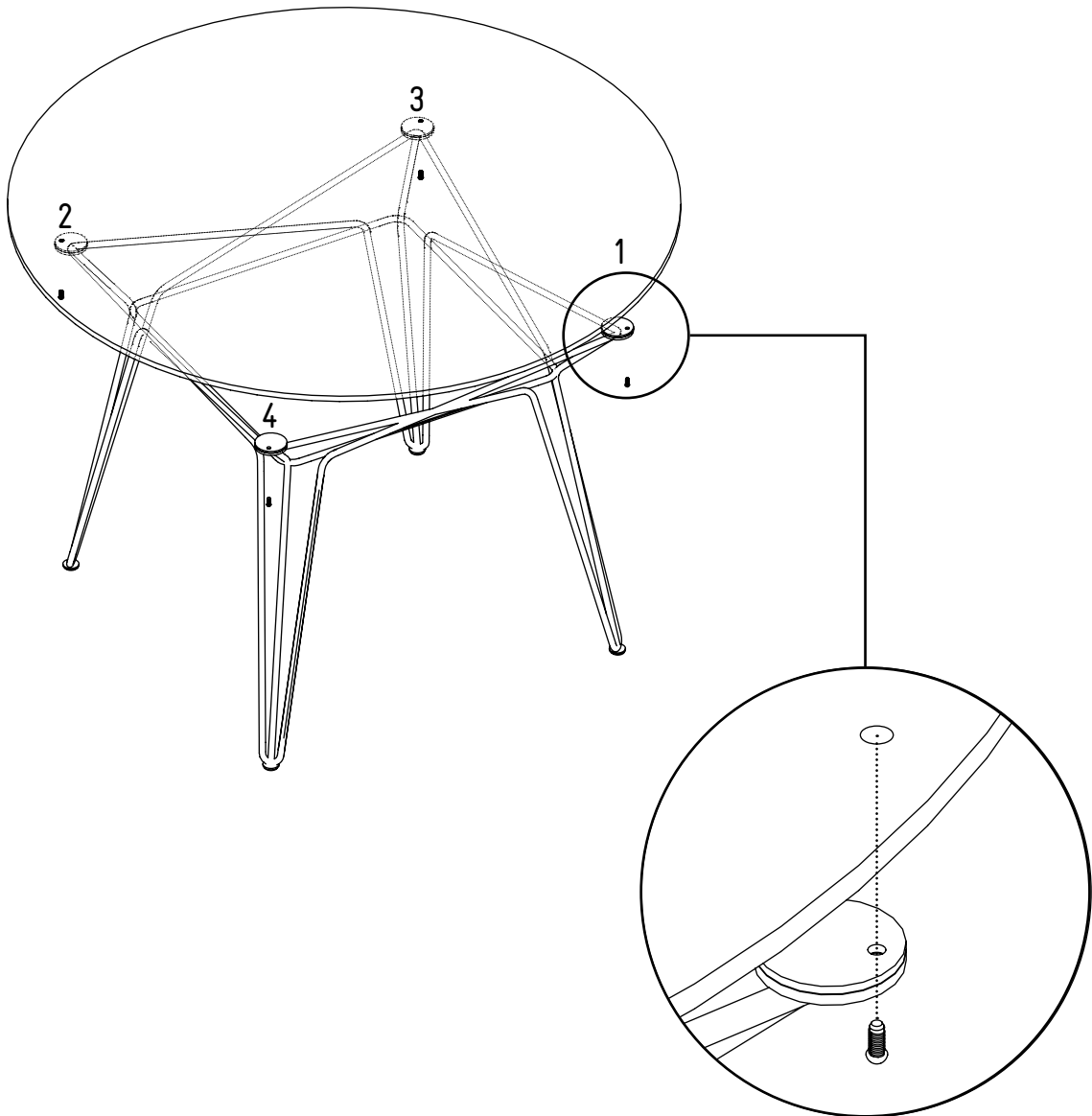


PLACE THE PLASTIC RUBBERS ON TOP OF THE METAL DISKS. MAKE SURE THAT THE HOLES ARE ALIGNED. MAKE SURE THAT THE METAL STRUCTURE IS ON A FLAT SURFACE, OTHERWISE IT WILL BE DIFFICULT TO CENTRE THE HOLES FOR TOP ASSEMBLY.

TOP DISASSEMBLY



OPEN THE BOX WITH THE TOP; IF APPLICABLE, DETACH THE SCREWS INSERTED INTO THE TOP.

TOP ASSEMBLY

PLACE THE TOP WITH THE HOLES FACING DOWN ON THE TABLE STRUCTURE.
CENTRE THE FIRST HOLE OF THE TOP WITH THE HOLE IN THE METAL DISK AND FIX IT USING THE PROVIDED SCREW. THEN PROCEED ALIGNING AND FIXING THE OPPOSITE SCREW. FINISH BY INSERTING THE REMAINING SCREWS.
TIGHTEN ALL THE SCREWS GRADUALLY MAKING SURE THAT EVERYTHING IS FIXED IN A UNIFORM MANNER.

ATTENTION: THE WEIGHT OF THE TOP PLACED ONTO THE STRUCTURE CAN SLIGHTLY MOVE THE HOLE IN THE STRUCTURE. YOU CAN RECENTRE THE HOLES BY SLIGHTLY LIFTING THE TOP.

PARISI TABLE

