



# INSTALLATION INSTRUCTIONS

<b>Product:</b>	<b>Front Bumper</b>
<b>Vehicle:</b>	<b>Toyota 4Runner 1996-2002</b>
Part No.	074ST17A86W

- Before commencing fitment read instructions and ensure all listed components are supplied.
- Estimated Fitting Time: 2.5hrs
- Left hand & Right hand components are determined as seated in the vehicle.
- Check for (& remove) any build up in all captive nuts fitted to the Bumper.
- When removing protective coatings, ensure all new edges are deburred, clean any swarf from the area and apply rust preventative to exposed surfaces.
- Always place the product on a soft work space to prevent damage prior to installation.

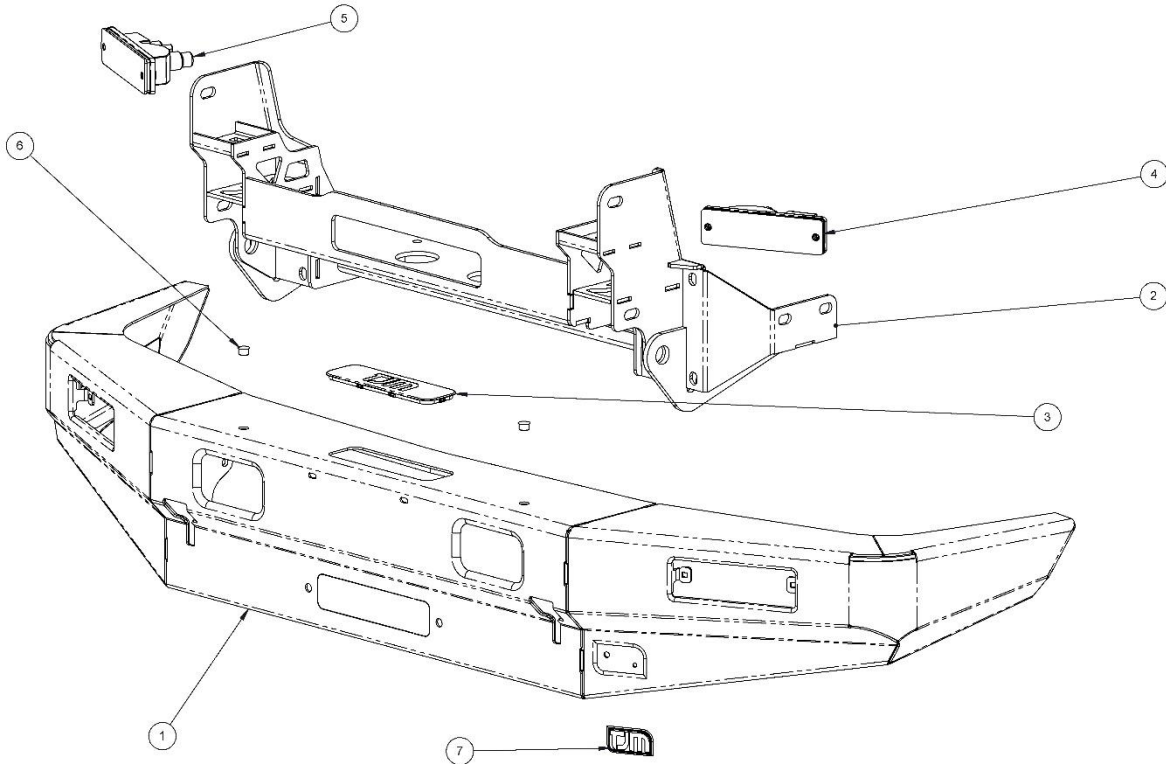
Bolt torques	Dia. (mm)	Nm	ft.lbs	Dia. (inch)	Nm	ft.lbs
All bolt torques are as follows unless otherwise specified.	5	5	4	1/4"	9	7
	6	9	7	5/16"	22	15
	8	22	16	3/8"	33	27
	10	44	32	7/16"	55	43
	12	77	57	1/2"	86	66

For product warranty please refer to our website [www.tjmusa.com](http://www.tjmusa.com)



# INSTALLATION INSTRUCTIONS

<b>Product:</b>	<b>Front Bumper</b>
<b>Vehicle:</b>	<b>Toyota 4Runner 1996-2002</b>
Part No.	074ST17A86W



ITEM NO.	Description	Qty	Part Number
----------	-------------	-----	-------------

074ST17A86W PARTS LIST			
1	T17 Front Bumper	1	F-12707
2	Winch Frame	1	F-12719

FITTING KIT			
3	Winch Slot Cover Plate	1	92106
4	Indicator / Park Light LH	1	90372
5	Indicator / Park Light RH	1	90373
6	14mm Plastic Plug	2	K0379
FACTORY FITTED			
7	TJM Sticker	1	K3550

ITEM NO.	Description	Qty	Part Number
----------	-------------	-----	-------------

F-12976 BOLT KIT			
N/A	M6 x 1.0 x 16mm Button Head - SS	2	K1630
N/A	M6 x 12mm x 1.6mm Flat Washer - SS	4	-
N/A	M6 x 1.0 Nyloc Nut	2	K1549
N/A	M8 x 1.25 x 25mm Hex Bolt	5	K0553
N/A	M8 x 24mm x 2.0mm Flat Washer	5	K0859
N/A	M8 Lock Washer	5	K0620
N/A	M10 x 1.25 x 30mm Hex Bolt	14	K0564
N/A	M10 x 20mm x 2mm Flat Washer	18	K2900
N/A	M10 Lock Washer	10	K0621
N/A	M10 x 1.25 Nyloc Nut	4	K3099
N/A	M12 x 1.25 x 35mm Hex Bolt	8	K0570
N/A	M12 x 32mm x 4.0mm Flat Washer	12	K0638
N/A	M12 Lock Washer	4	K0977
N/A	M12 x 1.25 Hex Nyloc Nut	4	K1200
N/A	Nylon Plug	4	K0665

For product warranty please refer to our website [www.tjmusa.com](http://www.tjmusa.com)



# INSTALLATION INSTRUCTIONS

**Product:**

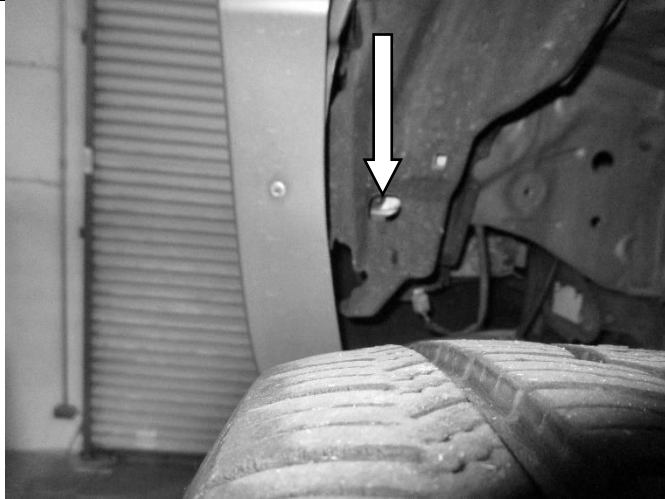
**Front Bumper**

**Vehicle:**

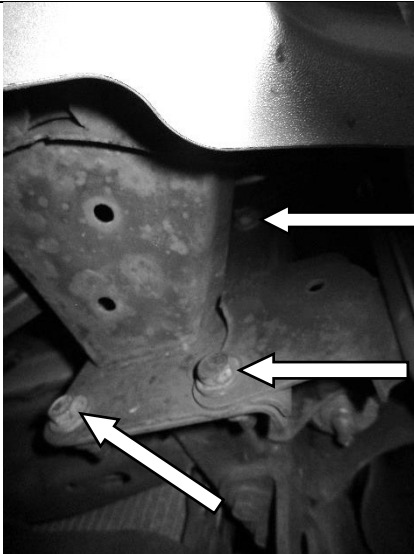
**Toyota 4Runner 1996-2002**

Part No.

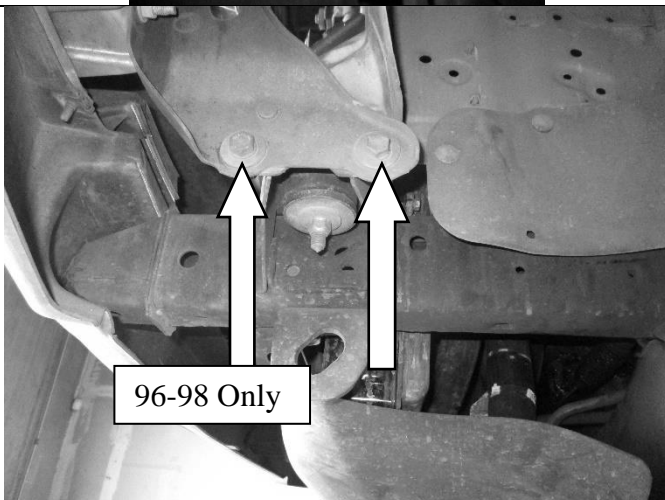
074ST17A86W



1. Disconnect fog light wires from back of fog lights and turn signal wires from back of turn signals.
2. From inside each front wheel arch, remove (& discard) the nuts that are securing the top ends of the bumper in place.



3. On 99-02 models, remove the (3) bolts attaching bumper to front of frame on either side.



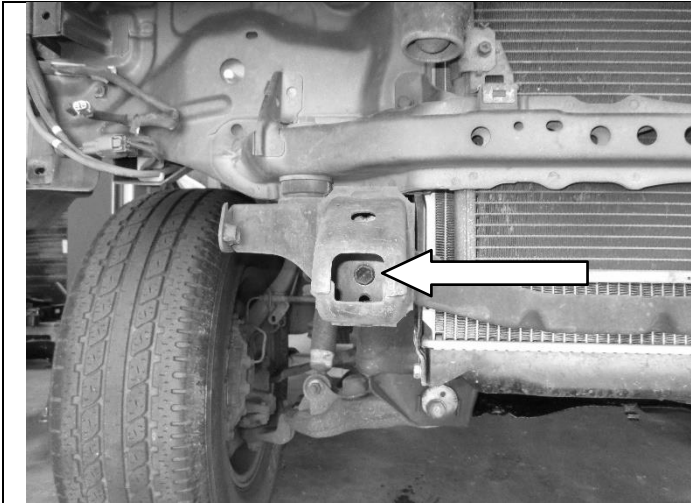
4. On 96-98 models, remove the (2) bolts and on 99-02 models, remove the (1) bolt attaching bumper bracket to frame.
5. Remove (& discard) bumper.

For product warranty please refer to our website [www.tjmusa.com](http://www.tjmusa.com)

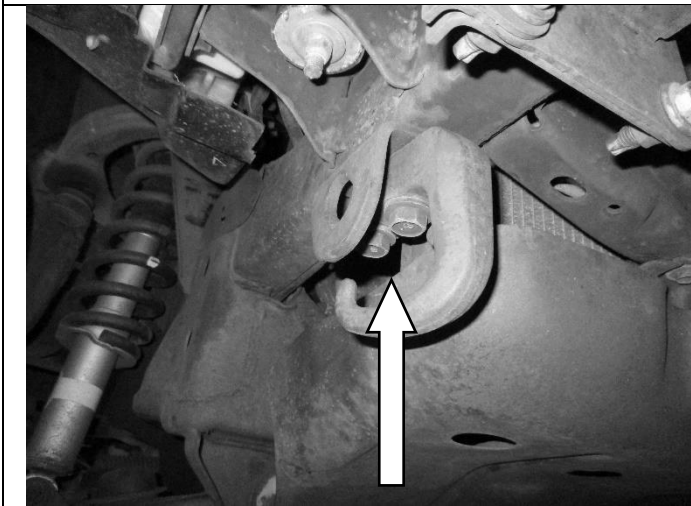


# INSTALLATION INSTRUCTIONS

<b>Product:</b>	<b>Front Bumper</b>
<b>Vehicle:</b>	<b>Toyota 4Runner 1996-2002</b>
Part No.	074ST17A86W



6. On 96-98 models, remove the bolt at the front of each frame horn and remove cone from frame.



7. Remove the tow hooks & shipping lugs from the bottom of each chassis rail (retaining the tow hooks & all of the fasteners whilst discarding the shipping lugs).

<b>INDICATOR WIRING</b>			
	<b>Ground</b>	<b>Parker</b>	<b>Indicator</b>
Vehicle	White/ Black	Green	Green/Yellow, Yellow/Green, Green/Black
Light	Black	Green	Red

8. As per the table at left, route & splice the indicator/park light's wiring to the vehicle, then solder & seal the joins.

NOTE: Tie indicator wire into wire disconnected from lights in bumper. Park light will be tied into parking light next to head light.

9. Check the operation of the indicator/park lights, then un-plug the light assemblies.

For product warranty please refer to our website [www.tjmusa.com](http://www.tjmusa.com)



# INSTALLATION INSTRUCTIONS

**Product:**

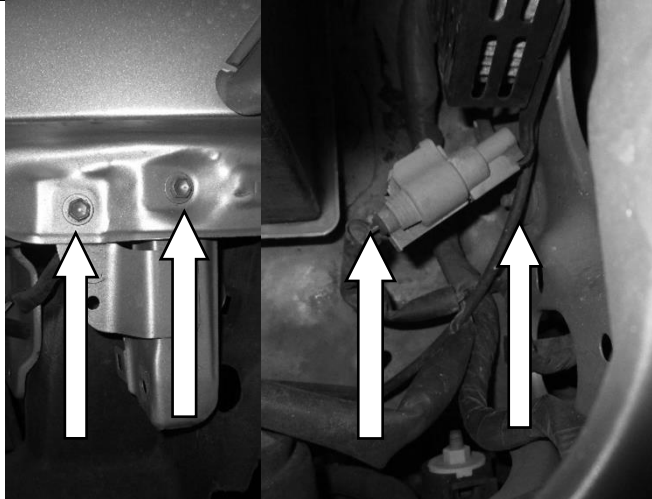
**Front Bumper**

**Vehicle:**

**Toyota 4Runner 1996-2002**

Part No.

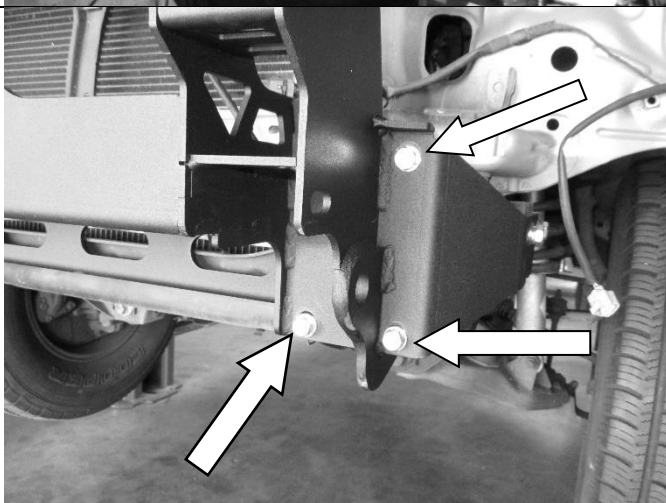
074ST17A86W



10. Remove the (2) bolts and (2) nuts on each side and remove brackets from fenders.



11. Remove and set aside the factory skid plate.



12. On 99-02 models loosely install Winch Frame to chassis using 10mm x 1.25 x 30mm Hex Bolts (6), 10mm x 20mm x 2mm Flat Washers (6) & 10mm Lock Washers (6).

On 96-98 models loosely install Winch Frame to chassis using 8mm x 1.25 x 25mm Hex Bolts (2), 8mm x 24mm x 2mm Flat Washers (2) & 8mm Lock Washers (2).

For product warranty please refer to our website [www.tjmusa.com](http://www.tjmusa.com)



# INSTALLATION INSTRUCTIONS

**Product:**

**Front Bumper**

**Vehicle:**

**Toyota 4Runner 1996-2002**

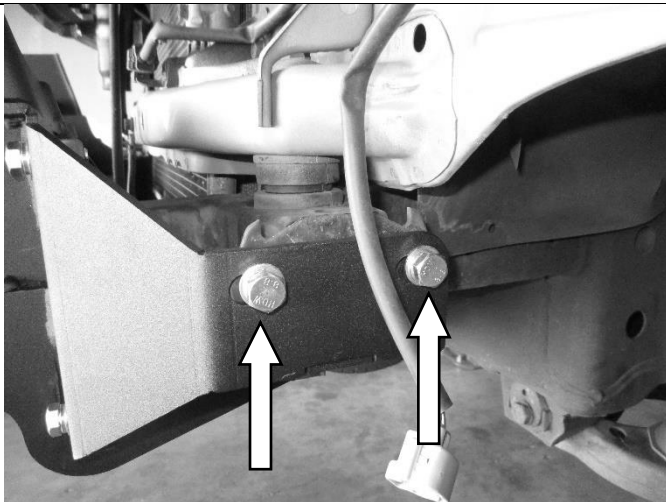
Part No.

074ST17A86W



13. Place tow hook in its original position and loosely attach with bolts previously removed. Install only original bolts on opposite side.

Note: If OE bolts are not available, install M12 x 1.25 x 35mm Hex Bolts (4), M12 x 32mm x 4mm Flat Washers (4) & M12 Lock Washers (4).

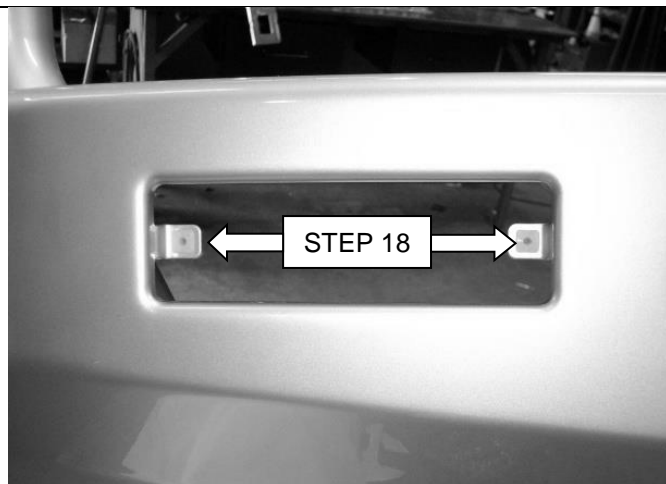


14. Loosely install 10mm x 30mm Hex Bolts (2), 10mm x 20mm x 2mm Flat Washers (2) & 10mm Lock Washers (2) on either side.

15. Torque all bolts to specification. 8mm 16ft.lbs., 10mm 32ft.lbs., tow hook bolts 80ft.lbs.

**If installing a winch, install it at this time. Refer to winch installation instructions. It may be necessary to remove grill from vehicle to install winch.**

**If installing a winch, remove fairlead knockout. Treat any exposed surfaces with a rust preventative.**



16. Connect the indicator/park light assemblies to the previously connected loom and check for correct operation, then un-plug them.

17. Insert the nylon plugs supplied (K0665), into the square cut-outs for the indicator/park lights (as shown).

For product warranty please refer to our website [www.tjmusa.com](http://www.tjmusa.com)



# INSTALLATION INSTRUCTIONS

**Product:**

**Front Bumper**

**Vehicle:**

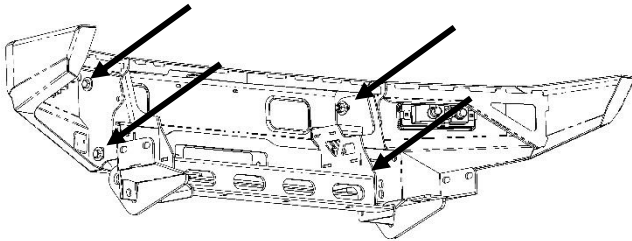
**Toyota 4Runner 1996-2002**

Part No.

074ST17A86W



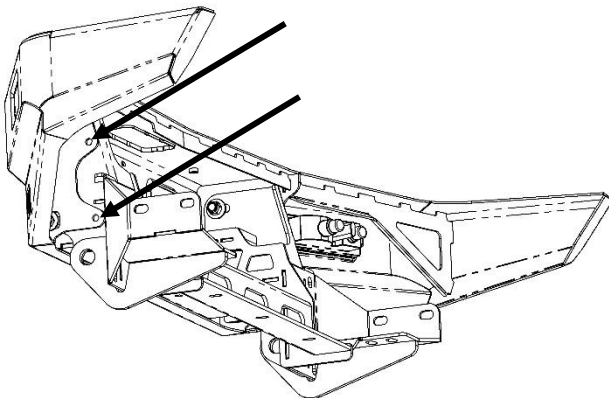
18. Install indicator/park lights in bumper as shown.



19. Using two people, carefully lift the Bumper onto the Winch Frame & loosely secure it in place at the indicated positions, using M12 x 1.25 x 35mm Hex Bolts (4), M12 x 32mm x 4mm Flat Washers (8) & M12 x 1.25 Nyloc Nuts (4).

20. Adjust the position of the Bumper so that there is an even gap of 10mm between the top surface of the wing & the vehicle on both sides of the vehicle.

21. Then, tighten all of the fasteners to the appropriate torque settings.



22. Using the indicated holes as a template, drill a 10mm hole through the left hand & right hand ends of the Winch Frame. De-burr the holes & clean the area of any debris, then treat the raw exposed surfaces with a rust preventative.

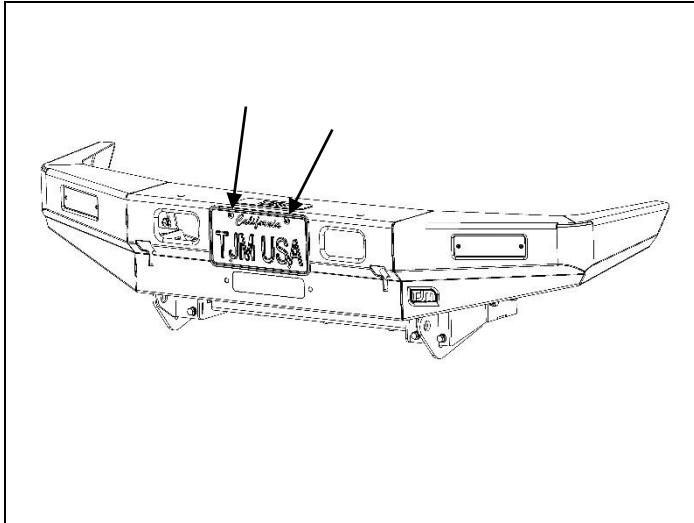
23. Using M10 x 1.25 x 30mm hex bolts (4), M10 x 20mm x 2mm Flat Washers (8) & M10 Nyloc Nuts (4), pin the Bumper through the holes drilled in the previous step. Tighten to specified torque.

For product warranty please refer to our website [www.tjmusa.com](http://www.tjmusa.com)



# INSTALLATION INSTRUCTIONS

<b>Product:</b>	<b>Front Bumper</b>
<b>Vehicle:</b>	<b>Toyota 4Runner 1996-2002</b>
Part No.	074ST17A86W



24. Using M6 x 1.0 x 16mm Button Head Bolts (2), M6 x 12mm x 1.6mm Flat Washers SS (4) & M6 Nyloc Nuts (2), secure the license-plate in place at the indicated locations.

25. Re-install OE Skid Plate. Attach using OE hardware at rear and supplied 8mm x 1.25 x 25mm Hex Bolts (3), 8mm x 24mm x 2mm Flat Washers (3) & 8mm Lock Washers (3) at front.
26. Connect all wiring looms to the relevant components (i.e. lights, indicators etc).
27. Check the operation of the lights, winches, etc to ensure that they are functioning correctly.
28. Place the winch slot cover in place in the winch viewing hole.
29. Ensure that all fasteners are fully tightened to the appropriate torque settings & that, as a result of fitting the Bumper, no vehicle components are crushed or will chafe.
30. Run winch line through fairlead and install fairlead to Bumper using hardware supplied with fairlead.
31. Install Winch Hook.

For product warranty please refer to our website [www.tjmusa.com](http://www.tjmusa.com)