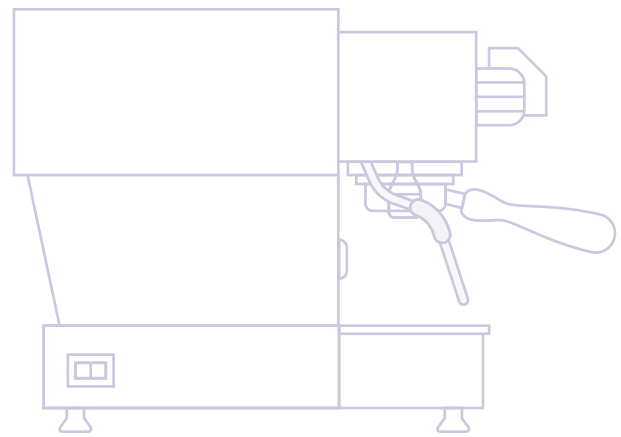
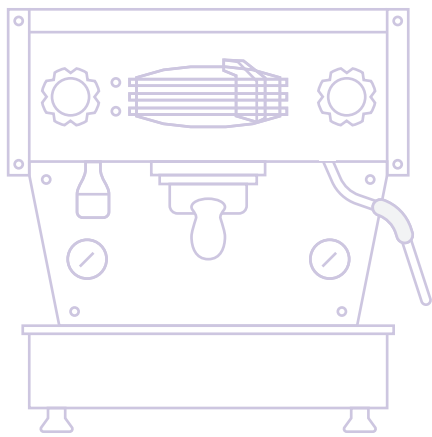




la marzocco

HOME

linea mini installation guideline



dimensions

height	377mm
width	357mm
depth	530mm

weights

shipping weight	43kg
operating weight	30kg

power

voltage (VAC)	220-240V Single Phase
Standard Watts	1820

water

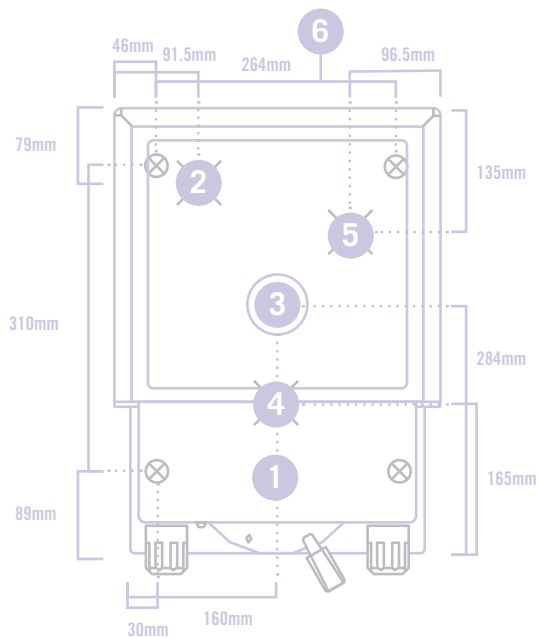
specifications for plumb-in.
disregard if using the internal water reservoir.

water flow rate	8 litres per minute
dynamic water pressure †	45PSI
min.pipe size diameter*	3/8 "
water connection*	3/8 " male comp
water quality	water kits are provided with your machine See water specifications

drainage

max. dist*	2.74 m
drain slope* ‡	30mm per metre
counter hole diameter	65mm

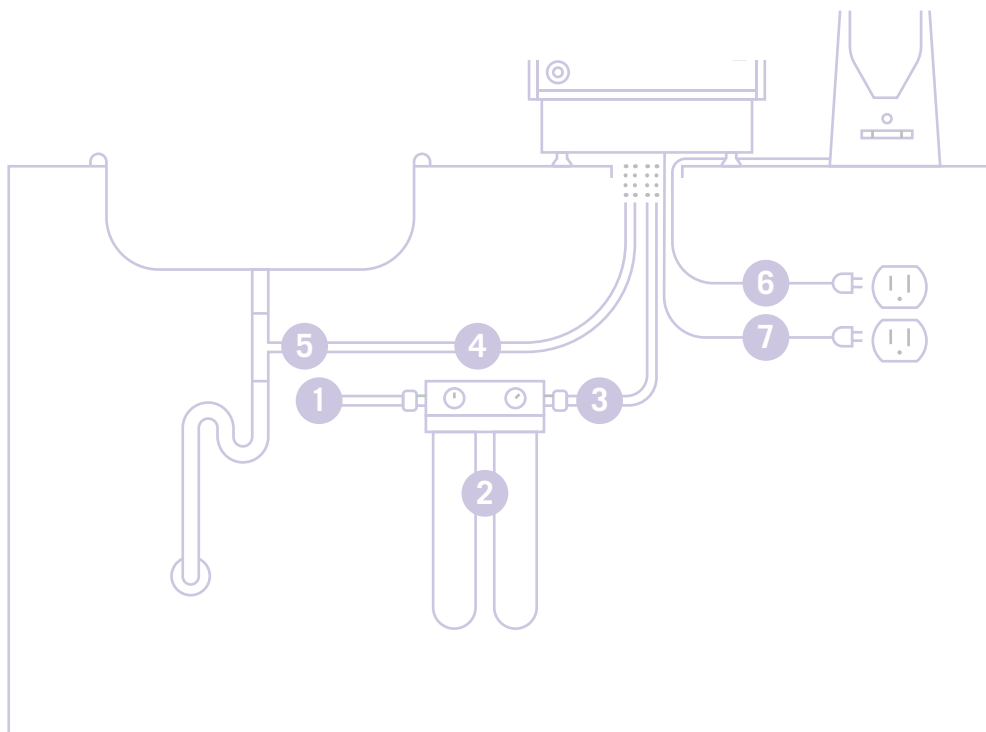
* suggested | † regulate as needed | ‡ this machine must be installed in accordance with the applicable federal, state and local plumbing codes



top view

1. centre line of the machine
2. position of the power cord
3. suggested diameter of counter hole: 65mm
4. position of the drain tube
5. position of the water inlet hose
6. width of legs per model

⊗ machine leg location



front view

specifications for plumb-in disregard if using the internal water reservoir

1. 3/8" cold water supply
2. water filter required if plumbed (not provided)
see water specifications below
3. 3/8" BSPP cold water supply line suggested max. dist. from water supply 203mm
4. 3/4" flexible drainline (min. 6mm/25mm slope)
5. sink drain above p-trap
6. 220V electrical supply to grinder
7. 220-240V, electrical supply to espresso machine (10 amp plug included)

water specifications

La Marzocco recommends that your filtration system produces water with the following properties:

T.D.S	90 -150ppm
Total Hardness	70-100ppm
Total Iron	0-0.02ppm
Free Chlorine	0-0.05ppm
Total Chlorine	0-0.1ppm

pH	6.5 - 8
Alkalinity	40-80ppm
Chloride	0-50ppm
Line Pressure	45-80PSI
Flow Rate	8 litres per minute

for any queries please contact the tech team at home.australia@lamarzocco.com