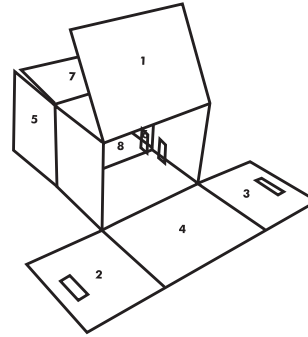
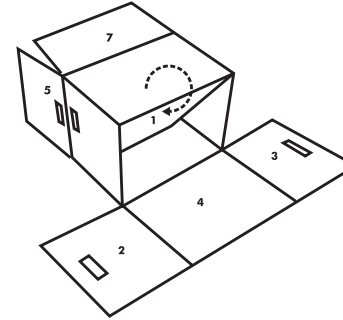


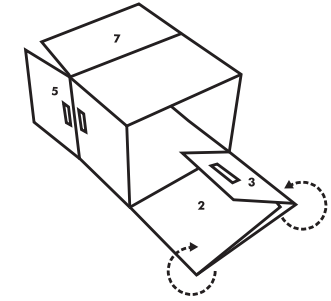
Assembly Instructions



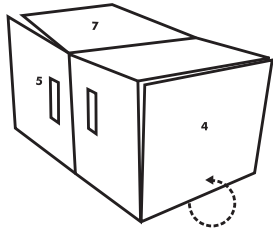
1. Break perforation to separate flaps from carton body and square up



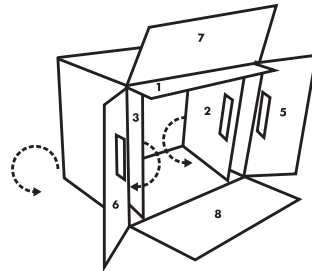
2. Fold flap 1 down and through carton



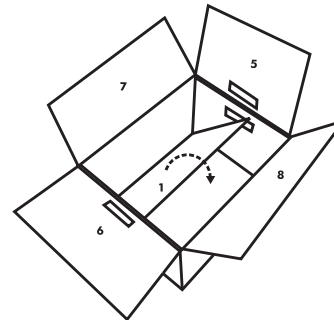
3. Fold flaps 2 & 3 right over



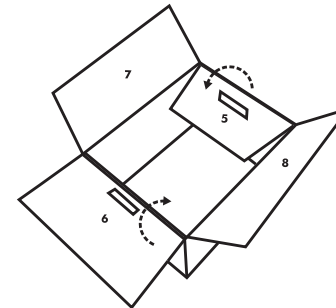
4. Fold up flap 4



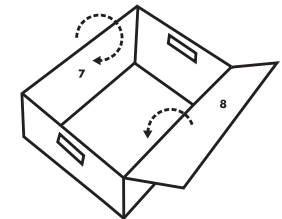
5. Rotate carton and fold out flaps 2 & 3 to form double walls



6. Tip carton on base and fold down flap 1 to form double base



7. Fold in flaps 5 & 6 to further strengthen walls



8. Fold in flaps 7 & 8 to complete construction



Super Strong Archive Box