

[www.blackanddecker.com.au](http://www.blackanddecker.com.au)

**BDSM200**  
2 Slice Sandwich Maker

## General Care and Safety Guide

Thank you for choosing this Black & Decker product. This appliance has been designed and manufactured to high standards of engineering and with proper use and care, as described in this leaflet, will give you years of useful service. Please read these instructions carefully and keep them for future reference.

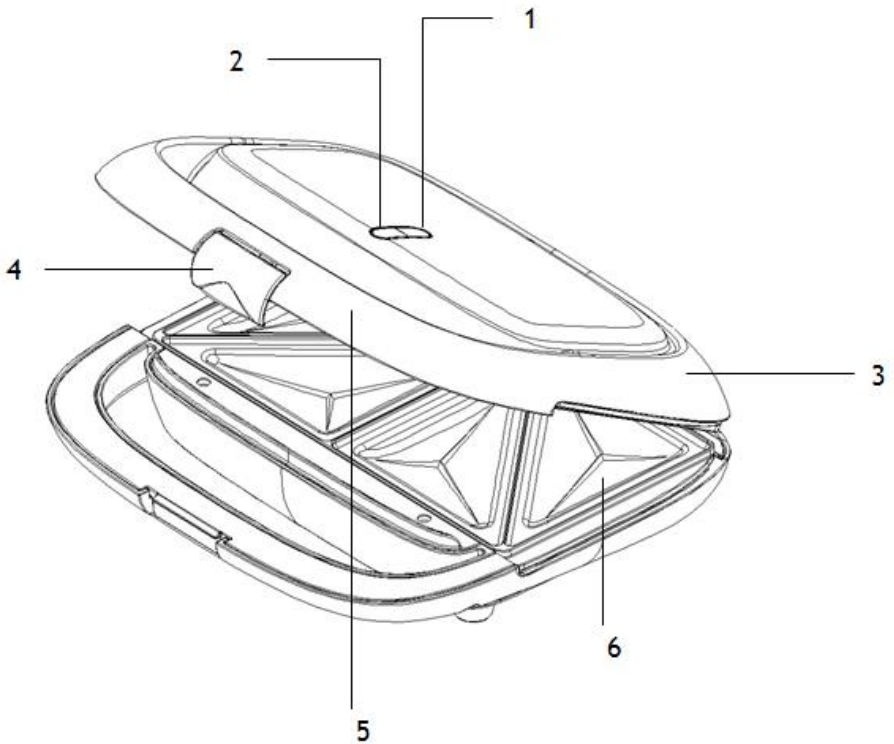
1. This appliance is not intended for use by persons (including children) with reduced physical, sensory or mental capabilities, or lack of experience and knowledge, unless they have been given supervision or instruction concerning use of the appliance by a person responsible for their safety.
2. Children should be supervised to ensure that they do not play with the appliance.
3. If the supply cord is damaged, it must be replaced by the manufacturer, its service agent or similarly qualified persons in order to avoid a hazard.
4. Ensure that the appliance is switched off from the supply mains before cleaning or moving.
5. Use only the voltage specified on the rating plate of the appliance.
6. Keep all objects at least 1 Metre from the front, sides and rear of the appliance
7. This appliance is intended for household use only and not for commercial or industrial use.
8. Use this appliance only as described in this manual. Any other use is not recommended by the manufacturer and may cause fire, electric shock or injury.
9. Always unplug appliance when not in use.
10. When the appliance has been unpacked, check it for transport damage and ensure all parts have been delivered. If parts are missing or the appliance has been damaged, contact the Black & Decker Customer Services Team.
11. If your appliance does not work, or is not working properly, contact the place of purchase. Repair work on the appliance by unqualified persons can cause serious risk to the user.
12. Ensure hands are dry before handling the plug or the main unit.
13. Carry out regular checks of the supply cord to ensure no damage is evident.
14. Ensure that the cord is fully extended (not coiled) while in use.
15. Switch off and use handles provided when moving.
16. It is recommended that this appliance is plugged directly into the wall socket.
17. A correctly specified, undamaged extension cord may be used with this appliance provided it is used in a safe manner.

## General Care and Safety Guide

18. Never place appliance close to radiant heat source.
19. Never operate in areas where petrol, paint or other flammable liquids are used or stored.
20. Never use abrasive cleaning products on this appliance. Clean with a damp cloth (not wet) rinsed in hot soapy water only. Always remove plug from the mains supply before cleaning.
21. Never connect the appliance to mains supply until completely assembled and adjusted.
22. Never remove plug from power socket until the appliance has been switched off.
23. Never remove plug from power socket by pulling cord – always grip plug.
24. Never twist, kink or wrap the cord around the appliance, as this may cause the insulation to weaken and split. Always ensure that all cord has been removed from any cord storage area and is unrolled before use.
25. Never use this appliance in the immediate surrounds of a bath, a shower, or a swimming pool or other liquids. The appliance must not be immersed in any liquids.
26. Due to the risk of injury, never use this appliance for any purpose other than its intended use. This appliance is intended for use in household and similar applications such as staff kitchen areas in shops, offices and other working environments; farm houses, by clients in hotels, motels, bed and breakfast type environments and other residential type environments
27. Never use this appliance outdoors.
28. Never operate the appliance with a damaged cord or plug, after it malfunctions, or if it has been damaged in any manner. Have the appliance checked and repaired by a qualified electrician if repair is necessary.
29. Never place the unit in wardrobes or other enclosed spaces as this may cause fire hazards.
30. This appliance is not intended to be operated by means of an external timer or separate remote control system.

## Components

1. Power Indicator Light (Red)
2. Ready Indicator Light (Green)
3. Lid
4. Locking Latch
5. Handle
6. Sandwich Cooking Plates



## Operating your Sandwich Maker

Always choose a safe location for the sandwich maker, keeping in mind the safety precautions outlined. Ensure all packaging has been removed from the unit before use. This appliance requires no installation.

**WARNING: STEAM MAY BE EJECTED FROM BETWEEN THE PLATES DURING THE COOKING PROCESS. TAKE CARE NOT TO COME INTO CONTACT WITH THE STEAM AS IT MAY CAUSE BURNS.**

**WARNING:**  **CAUTION! HOT SURFACE**

Place the unit on a dry, level and heat-resistant surface, away from the edge of the work surface. Ensure that the cord has been fully unwound and does not overhang the work surface as this is a hazard. Do not use the unit on the floor.

Before using your sandwich maker for the first time, clean the appliance and plates as described in the 'Cleaning' section. Brush a little cooking oil on the plates. Heat the appliance with the lid open for 5 minutes. Unplug and allow to cool, then remove any surplus oil with absorbent paper. The sandwich maker is now ready for use. When using your sandwich maker for the first time you may notice a fine smoke haze being emitted. This is normal and is due to the initial heating of the internal components.

1. Close the lid of the sandwich maker.
2. Plug the appliance into the power supply. The red light will glow indicating that the sandwich maker is heating, whilst the green light remains off. Once the correct temperature for use has been reached, the red light will remain on and the green light will come on. This green light will switch on and off (temperature control).
3. Whilst the sandwich maker is heating, prepare the bread and filling.
4. For golden toasted sandwiches, spread butter on the outside of the bread. Beware of some spreads which are not suitable for toasting. Always choose bread of a suitable size to fit the plates. Place the filling between the unbuttered sides of bread. Ensure the sandwiches are evenly filled to assist with even browning.
5. Open the sandwich maker by pulling the locking latch outwards and lifting the lid.
6. Place the sandwiches into the appliance.
7. Close the lid, using a wooden spoon or heat resistant plastic spatula to hold the bread in place if necessary, until the handle latch locks. Do not force the lid closed. If the lid is difficult to close, you may have too much filling or the bread slices may be too thick.
8. Allow the sandwich to toast for 3-8 minutes according to taste and ensuring that raw ingredients (e.g. bacon) are thoroughly cooked. Alternatively, pre-cook them before toasting. Beware of steam which may escape from the front of the appliance.
9. Open the sandwich maker in one swift movement and remove the toasted sandwiches. Do not use a metal implement for this as it may damage the toasting plates.
10. After use, unplug the appliance and allow to cool.

## Cleaning

The unit must be cleaned thoroughly after each use.

To avoid risk of electric shock, before cleaning, you **MUST ALWAYS** switch off and unplug the unit.

Allow the sandwich maker to cool before cleaning.

**DO NOT** use harsh chemicals to clean the sandwich maker. Use only a soft, damp cloth to gently wipe the cooking plates and outside housing and dry well. A small amount of dishwashing liquid may be used if necessary.

**DO NOT** immerse the sandwich maker in water.

Once the sandwich maker has cooled, the cord can be wrapped around the appliance for storage.

# 1 Year Warranty

Thank you for purchasing this Black & Decker product. Your product is warranted against faults and manufacture when used in normal domestic use for a period of **one year**. In non-domestic use Black & Decker limits the voluntary warranty to **three months**.

Black & Decker undertake to repair or replace this product at no charge if found to be defective due to a manufacturing fault during the warranty period.

This warranty excludes damage caused by misuse, neglect, shipping accident, incorrect installation, or work carried out by anyone other than a qualified electrical service technician.

PLEASE KEEP YOUR RECEIPT AS THIS WILL HELP VERIFY YOUR WARRANTY.

The benefits to you given by this warranty are in addition to other rights and remedies available to you under a law in relation to the goods or services to which this warranty relates.

In Australia, our goods come with guarantees that cannot be excluded under the Australian Consumer Law. You are entitled to a replacement or refund for a major failure and compensation for any other reasonably foreseeable loss or damage. You are also entitled to have the goods repaired or replaced if the goods fail to be of acceptable quality and the failure does not amount to a major failure.

In New Zealand this warranty is additional to the conditions and guarantees of the Consumers Guarantee Act (1993).

**New Zealand**

CDB  
PO Box 100-707  
N.S.M.C  
Auckland , 0745

Phone +64 (0)9 917 4000  
Phone 0800 232 633

**Australia**

CDB Goldair Australia Pty  
PO Box 574  
South Morang  
Victoria, 3752

Phone +61 (0)3 9365 5100  
Phone 1300 465 324

**Black & Decker One Year Warranty** (IMPORTANT: Please complete and retain this warranty card)

Name \_\_\_\_\_

\_\_\_\_\_

Address \_\_\_\_\_

\_\_\_\_\_

\_\_\_\_\_

Place Of Purchase \_\_\_\_\_ Date of Purchase \_\_\_\_\_

Name Of Product \_\_\_\_\_ Model Number \_\_\_\_\_

Attach a copy of the purchase receipt to this warranty card

Due to continual design improvements, the product illustrated in this User Manual may differ slightly from the actual product.

---

**New Zealand**

CDB Media Ltd.  
PO Box 100-707  
North Shore Mail Centre  
Auckland, 0745

Tel. +64 (0)9 917 4000  
Tel. 0800 232 633  
Email [info@cdb.co.nz](mailto:info@cdb.co.nz)  
**Monday – Friday 8am-5pm**

---

**Australia**

CDB Goldair Australia PTY  
PO Box 574  
South Morang  
Victoria, 3752

Tel. +61 (0)3 9365 5100  
Tel. 1300 465 324  
Email [info@cdbgoldair.com.au](mailto:info@cdbgoldair.com.au)  
**Monday – Friday 8am-5pm**

**TECHNICAL SPECIFICATION**

Model: BDSM200  
Supply: 220-240VAC 50Hz  
Wattage: 700W