

J.BURROWS

• • • • •



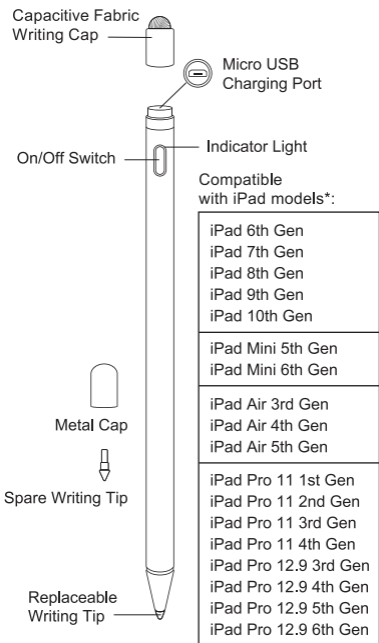
2-in-1 Universal Stylus

Model No. JB21UNISTY



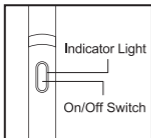
INSTRUCTION MANUAL

Functions



*Installed with iPad OS 13.4 or later

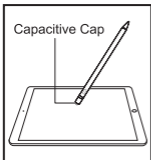
Method of Use



Using Writing Tip

- Press the On/Off switch once to turn on/off the stylus.
- Indicator light turns blue once the stylus is activated along with palm rejection feature¹.

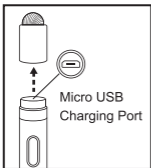
¹Built-in battery-saving feature (automatically turn off after 30 minutes of inactivity).



Using Capacitive Cap

- With the power off, turn the stylus upside down with the capacitive cap attached.
- Start writing and drawing on iPhone or iPad screen².
- Palm rejection feature is not available when using the capacitive cap.

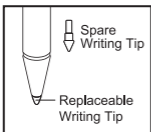
²Some Apps might not support handwriting feature.



Charging

Remove the magnetic cap from the end of the stylus and plug in the included USB charging cable to the charging port with a working USB power source.

The indicator light is in red while charging and in green once the stylus is fully charged (approx: 1.5 hours). Place the magnetic cap back onto the stylus to protect the charging port against foreign debris.



Replace The Writing Tip

Twist the writing tip counter-clockwise to remove the stylus tip. Insert the replacement tip and twist the writing tip clockwise to secure the installation.

*This stylus only works with specific iPad models with iPad OS pre-installed at 13.4 version or above.

*If original Apple pencil is already paired with the iPad, unpair the Apple pencil from the Bluetooth connection of the iPad.

Troubleshooting

iPad screen is not responding to the stylus.

1. Fully charge the stylus before use.
2. In the "Setting" section of the iPad and turn off the function of "Apple Pencil".
3. Continue in the "Setting" section, select "Notes" and turn off "Only draw with Apple Pencil".
4. Turn on the stylus and launch the writing App to start to use.

Specification

Model number: JB21UNISTY

Working time: 8-10 hours

Charging time: 1.5 hours

Battery type: Lithium polymer

Battery capacity: 140mAh

Input Power: 5V=1A Max.

Unit dimension: 9.2mmØ x 180mm

Unit weight: 15g

iPad and iPad OS are trademarks of Apple Inc., registered in the U.S. and other countries.

Package Contents

Stylus	Metal cap
Capacitive fabric writing cap	Replacement tip
Micro USB charging cable (30cm)	Instruction manual

WARNING

- Do not connect this cable to products other than JB21UNISTY universal stylus. Connecting this cable to other devices might cause damage to both cable and the device.
- To prevent fire or shock hazard, do not expose the unit to rain or moisture.
- To avoid electrical shock, do not open the cabinet, refer to service agent or qualified engineer only.

Product Warranty – Valid for Australian Customers Only

Officeworks Ltd warrants that this product will be free from defects and work as intended for 8 years from the date of purchase by the original customer.

If the product has any defects or does not work as specified during the Warranty Period, Officeworks will, at its election and at its expense, repair or replace the product.

This warranty does not apply:

- to cosmetic damage;
- to damage caused by consumables used in connection with the product;
- where the product has not been used in accordance with all provided instructions;
- to damage arising from fair wear and tear;
- where the product has not been subject to reasonable use;
- where the product has been intentionally or negligently damaged; and/or if the customer has attempted to repair the product.

To make a claim under this warranty, please return your product with your receipt or proof of purchase to your nearest Officeworks store or contact 1300 633 423.

This warranty is provided in addition to any rights you may be entitled to under the Competition & Consumer Act 2010. Our goods come with guarantees that cannot be excluded under the Australian Consumer Law. You are entitled to a replacement or refund for a major failure and compensation for any other reasonably foreseeable loss or damage. You are also entitled to have the goods repaired or replaced if the goods fail to be of acceptable quality and the failure does not amount to a major failure.

OFFICEWORKS LTD
236-262 EAST BOUNDARY ROAD
EAST BENTLEIGH VIC 3165 AUSTRALIA

MADE IN CHINA