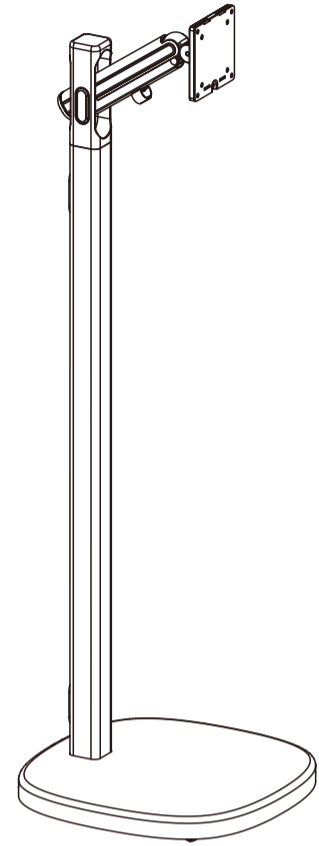
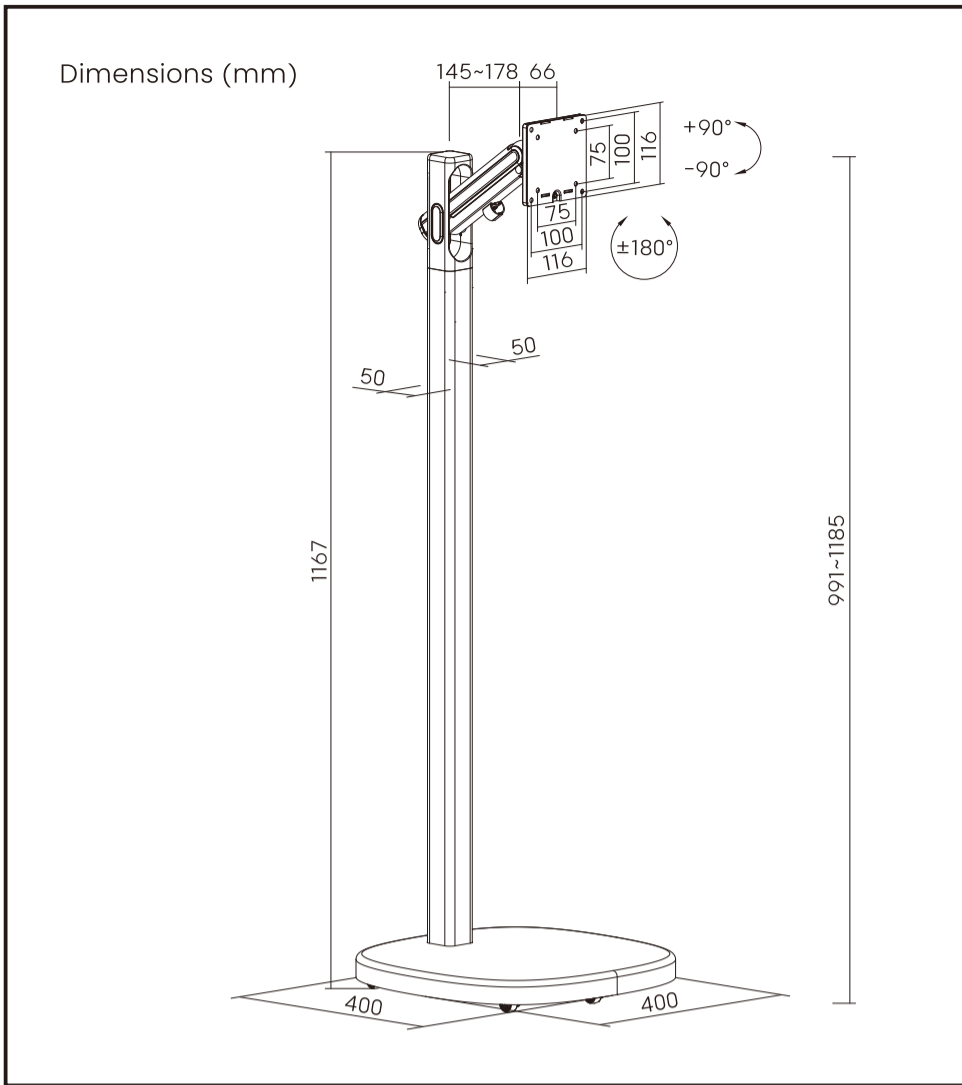


Instruction Manual

PORTABLE DISPLAY FLOOR STAND



EN IMPORTANT: Failure to read, thoroughly understand, and follow all instructions can result in serious personal injury, damage to equipment, or voiding of factory warranty.

INSTRUCTIONS OF SAFETY AND WARNINGS:

- Make sure that the mounting surface is strong enough to handle a mounted product and equipment.
- **DO NOT EXCEED THE MAXIMUM LISTED WEIGHT CAPACITY.**
- Always use an assistant or a mechanical lifting device to safely lift and position heavy products.
- Tighten screws firmly, but do not over tighten. Over tightening can cause product damage that greatly reduces the holding power.
- Keep a clear area and distance from moving parts when using the product.
- Use only as intended. Never stand, hang or climb on the product.
- This product is intended for indoor use only.
- Any attempts to reconstruct the construction aren't allowed.
- This product may contain small items that could be a choking hazard if swallowed. Keep children away unless the product is intended for their use and all instructions and manuals are fully reviewed and understood by them.
- Check that the product is secure and safe to use at regular intervals (at least every three months).

Should you ever have any questions or feel you require help please contact your place of purchase for assistance.

WARNING

CHILDREN HAVE DIED FROM FURNITURE TOPPLING OVER.
Always secure your television with an anchor device. Never allow children to stand, climb, or hang on drawers, doors, or shelves.

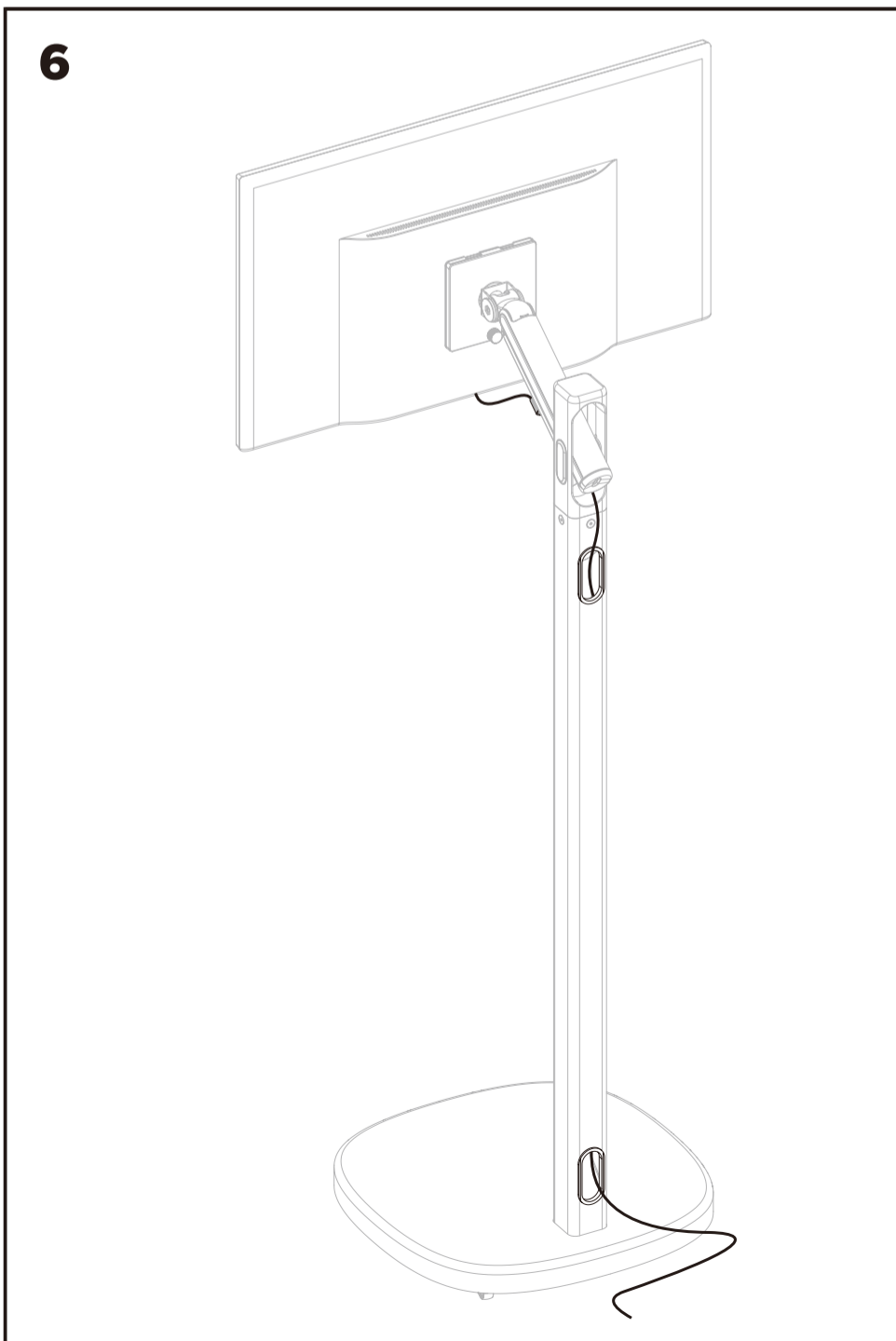
LUFS5611TW

VESA Compatible
75x75 100x100

35" MAX

2-10kg (4.4-22lbs) RATED

OFFICEWORKS LTD



7

Before adjusting the spring tension and during the adjustment process, **position and hold the arm horizontally as shown**. Use the supplied Allen Key for adjustment. Ask for assistance should you require it.

If the arm **drops**, turn the adjustment screw in the + direction until it remains in a horizontal position.

If the arm **rises**, turn the adjustment screw in the - direction until it remains in a horizontal position.

CAUTION: DO NOT over tighten the screws.

Note: If the display does not stop at your desired position, adjust the screws using the tools as shown.

