



ONEX - GX3

User's Manual

Thank you for purchasing our product.
Contact us. If you have any questions or comments.
www.onexzone.com.au

Warranty

ONEX will repair or replace, at no charge, any product(s) or part(s) of a product that proves defective because of improper material or workmanship, under normal use and maintenance.

Covered by Limited Warranty

This Limited Warranty covers any defects in material or workmanship under normal use.
(Dysfunctional, deformed, broken, or damaged parts and leatherette decomposition)

Not Covered by Limited Warranty

Problems not resulting from material or workmanship defects; e.g. stains, scratches, and other similar problems.
(For such problems, please request a replacement product within 7 days of purchase)
Damage or defect resulting from faulty assembly.

How to Make a Warranty Claim

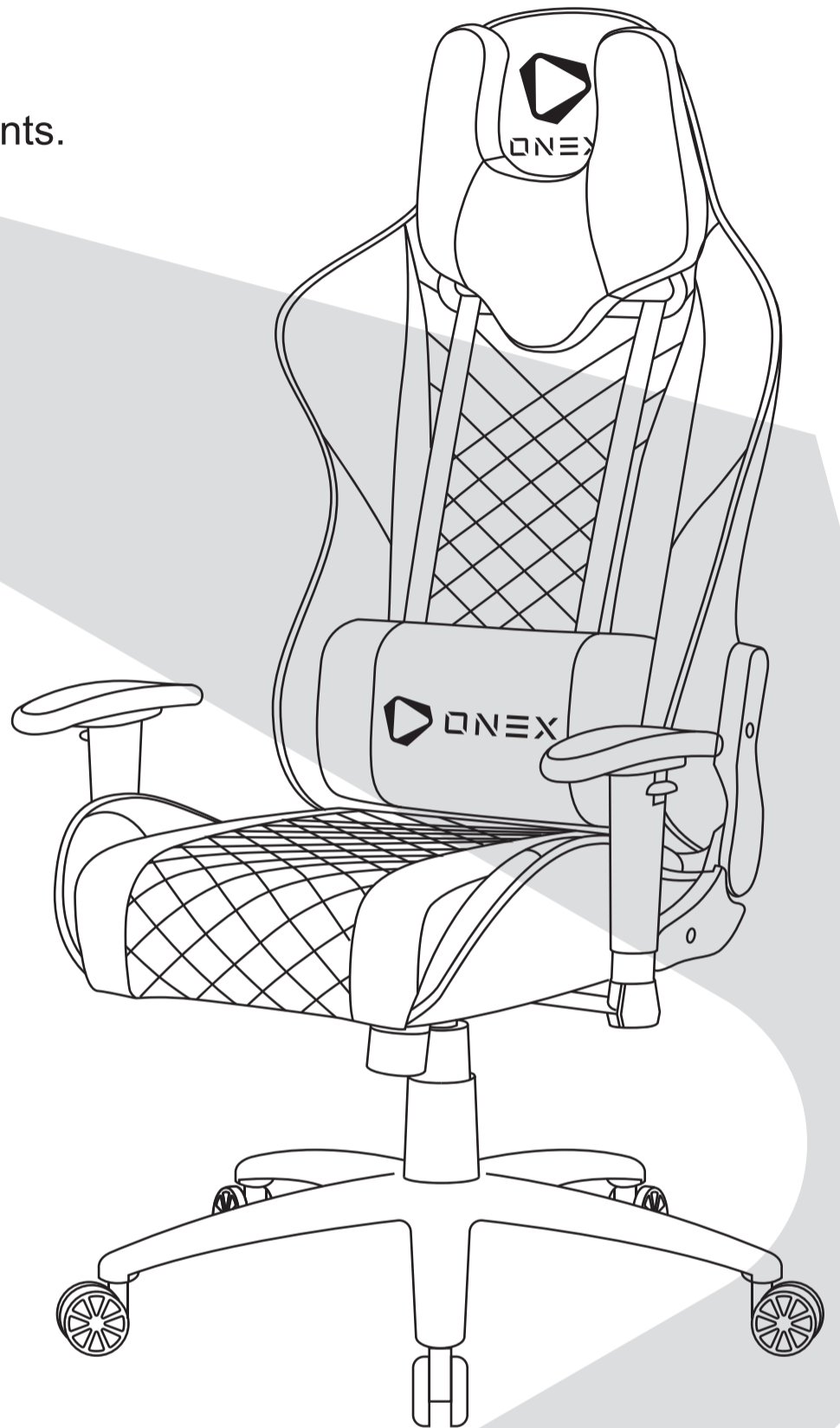
If your product is still under warranty and you would like to apply for a replacement, please return the product at your point of purchase or contact our local agent.

Please prepare the following information before contacting point of purchase or local agent :

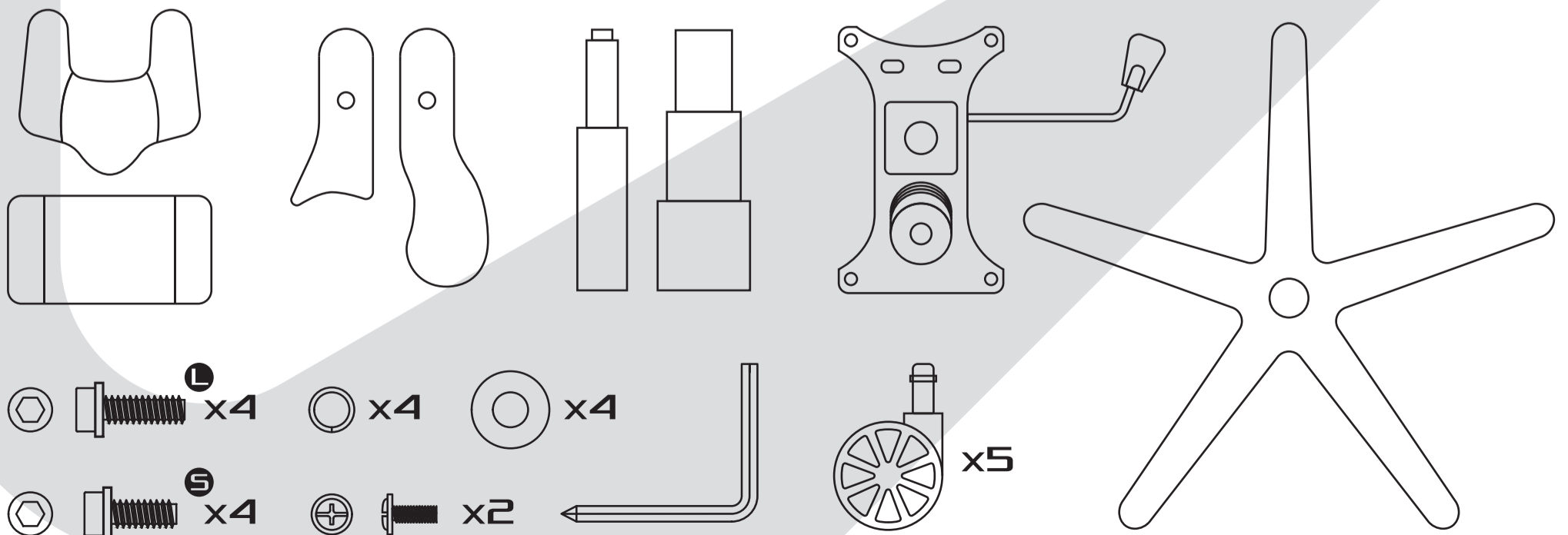
1. Invoice/receipt.
2. Photo of serial number starting with SN (can be found underneath product).
3. Photos or video of product illustrating the problem/issue.
4. Photo of complete product.

Warranty Period

The warranty is effective from the date on which the invoice/receipt was issued. If invoice/receipt cannot be provided, the warranty is valid from date of packaging (plus one month).



Parts



How to assemble

