

# ORIGAMI FROG

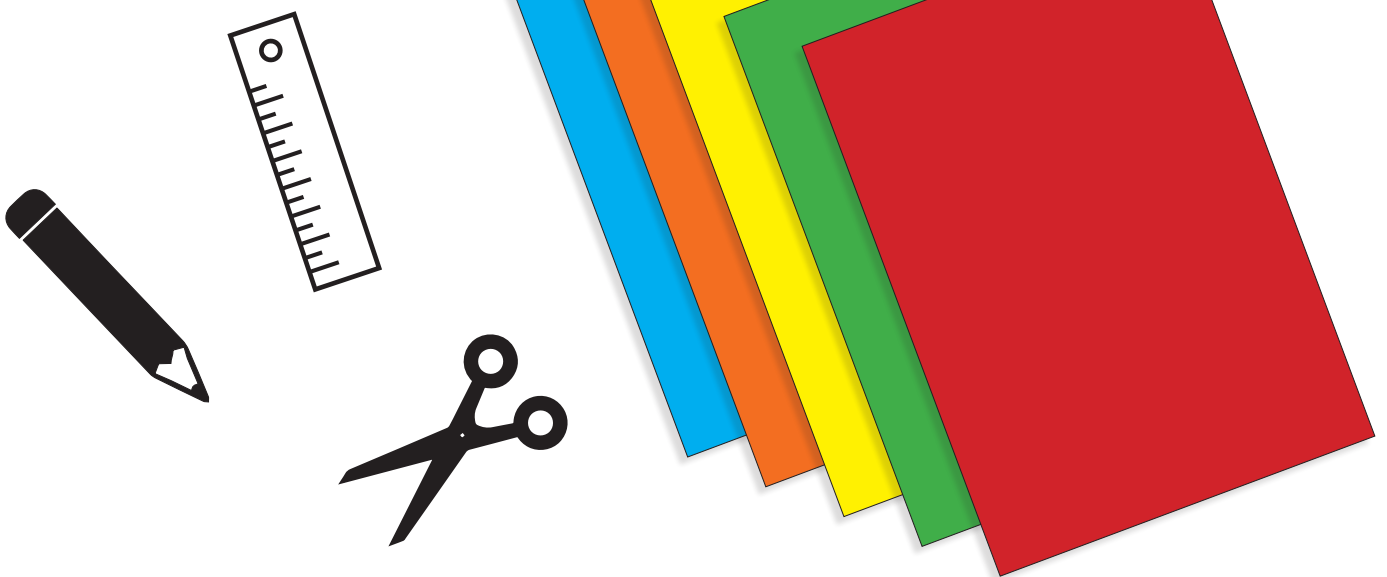
## WHAT YOU'LL NEED

Quill Coloured A4 Paper 125GSM

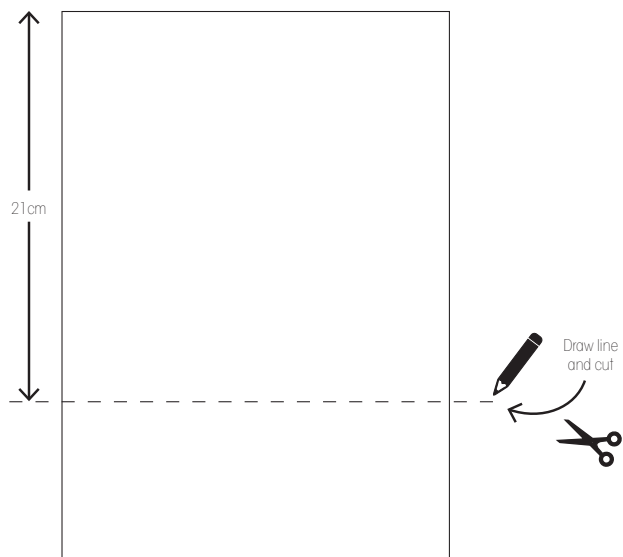
Scissors

Ruler

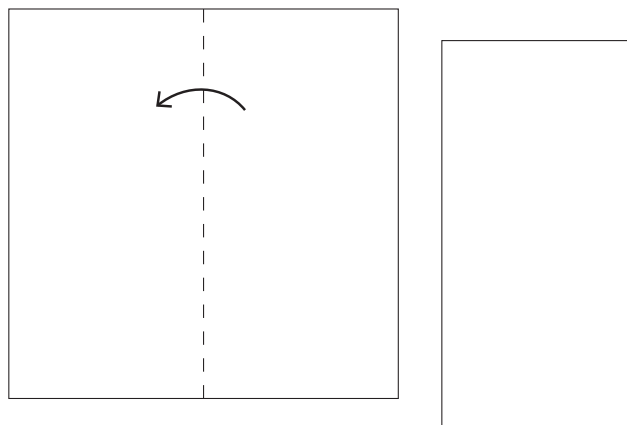
Pencil



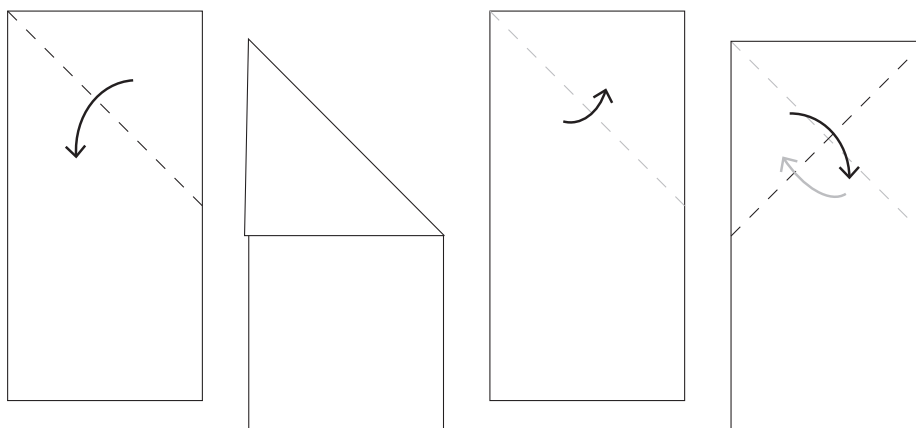
1. Take the Quill coloured A4 Paper 125GSM and measure along the long edge 21cm
2. Cut along your measured line



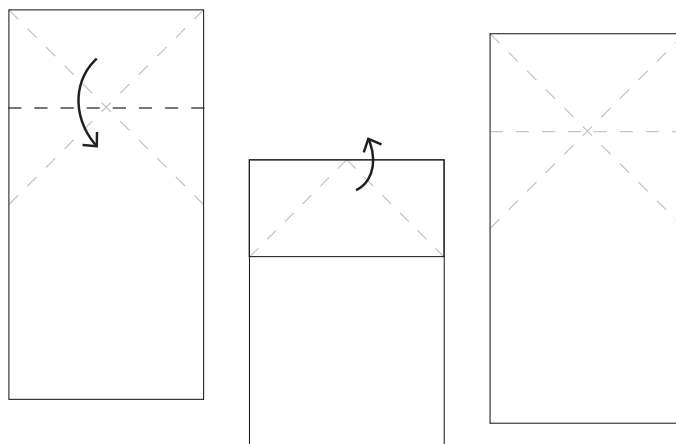
3. Fold Square in half sideways



4. Fold the corners down and unfold them right away, repeating this for both top corners of your rectangle



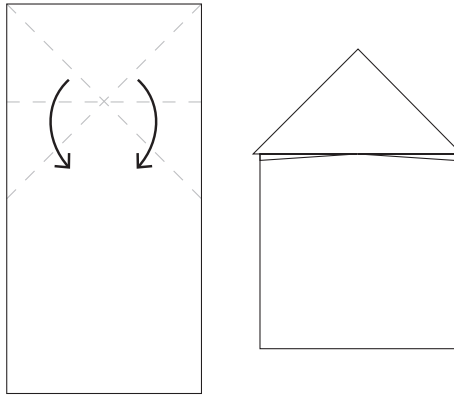
5. Fold the top of the paper down at the spot where the diagonal creases meet, unfold right away



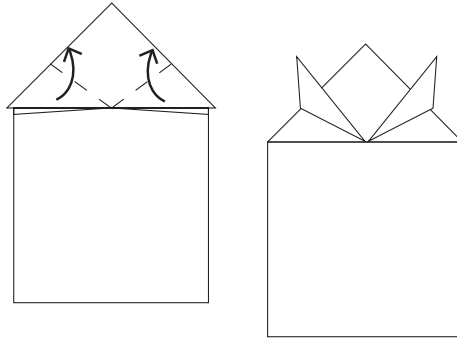
# ORIGAMI FROG

instructions

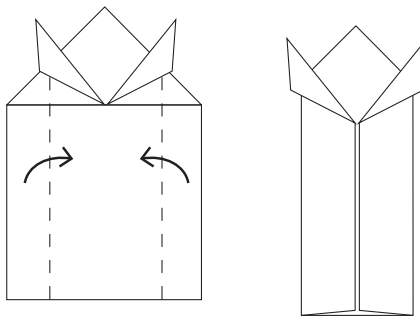
6. Fold the two edges toward you so they meet each other in the middle, the top of your rectangle will fold down to form a triangle



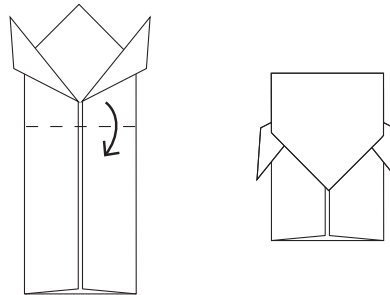
7. Fold the two corners of the triangle up to form the 'front legs' of the frog



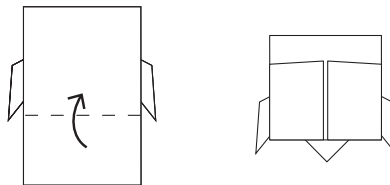
8. Fold the sides inward to meet at the middle



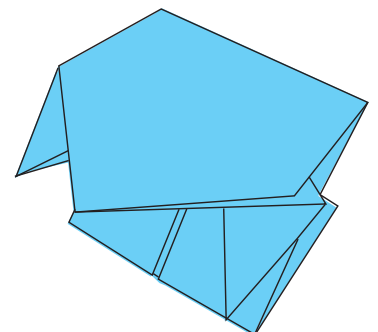
9. Fold the top of the paper downwards in one third



10. Flip the paper over and fold the bottom edge upwards



11. Try it in all the different Quill paper colours



# ORIGAMI FROG

instructions