

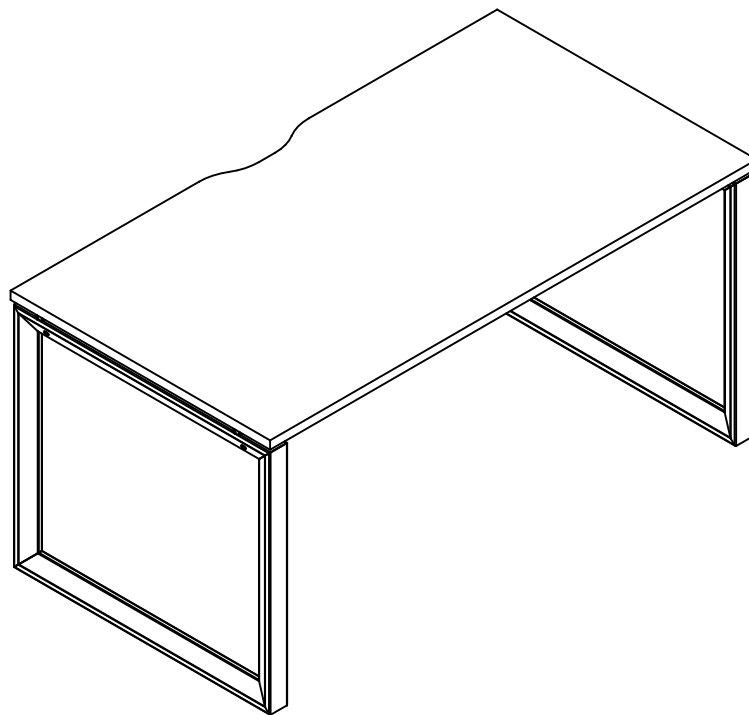
J.BURROWS

•••••

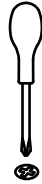
ASSEMBLY INSTRUCTIONS

Description: STILFORD DESKTOP 1200x750 / 1500x750 / 1800x750mm WHITE, WHITE / BLACK, WHITE / OAK, OAK, WALNUT

Description: S2V1 DESK FRAME 1200-1800x750mm WHITE, WHITE / BLACK, WHITE / OAK, OAK, WALNUT



Tools Required



Assemble Item On a Clean Flat Surface



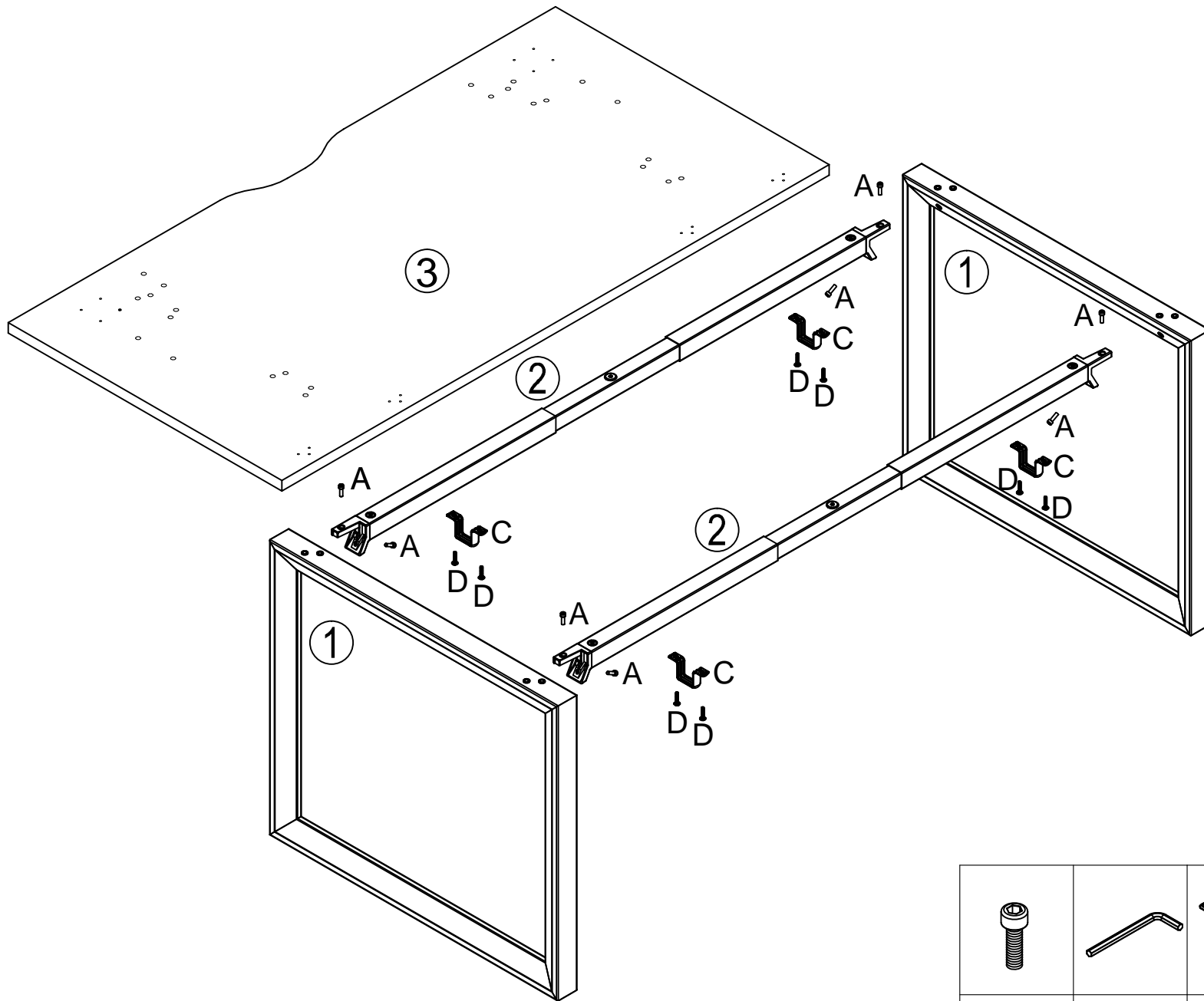
Need Two Or More People To Complete



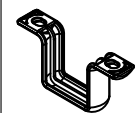
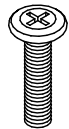


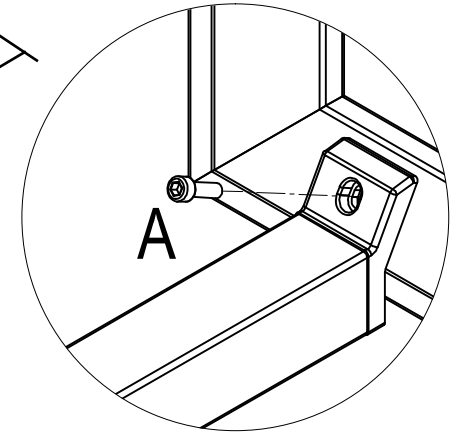
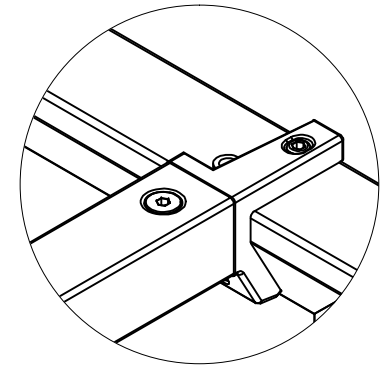
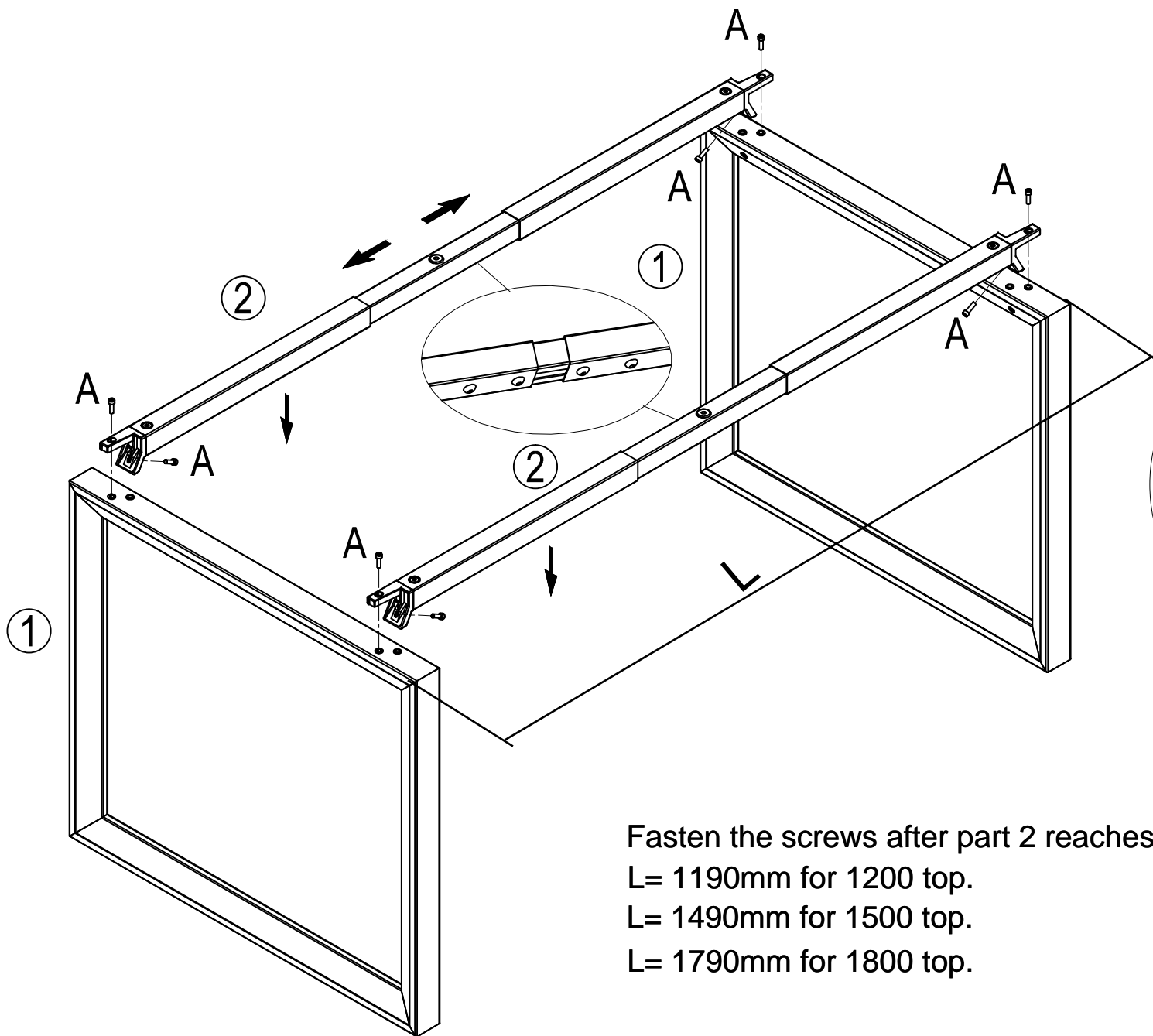
- Please check you have all hardware before assembling
- If you think you are missing any hardware please contact the store of purchase
- Please ensure you have the name of the item and hardware part required and quantity.
- Please retain your receipt for proof of purchase to validate warranty. Enjoy your new purchase

Officeworks Ltd.

| 236-262 East Boundary Road | East Bentleigh | 3165 | AUSTRALIA



			
A x8	B x1	Cx4	Dx8

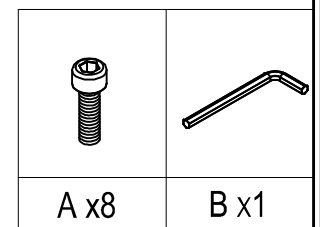


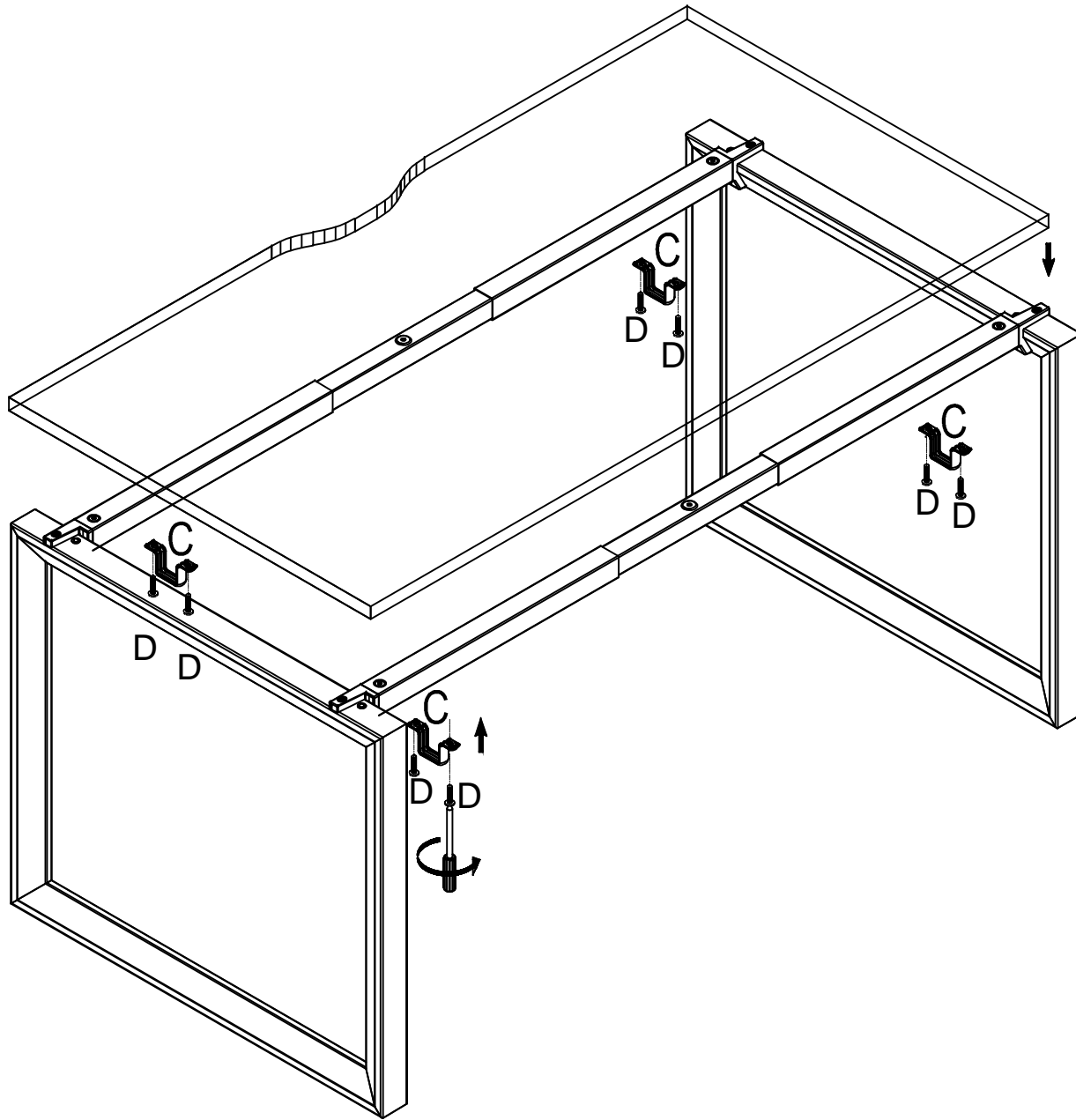
Fasten the screws after part 2 reaches your length.

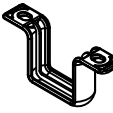
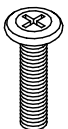
L= 1190mm for 1200 top.

L= 1490mm for 1500 top.

L= 1790mm for 1800 top.





	
Cx4	Dx8