

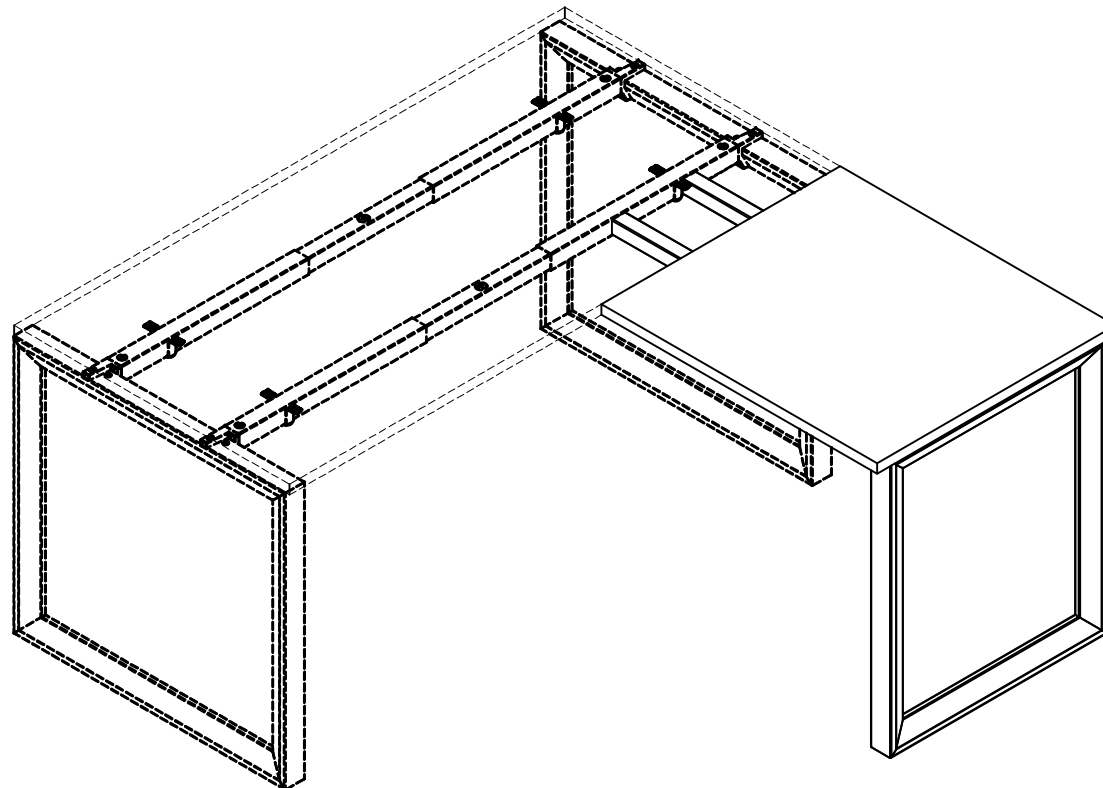
J.BURROWS



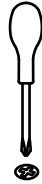
ASSEMBLY INSTRUCTIONS

Description: STILFORD DESKTOP 750x600 / 1000x600 / 1050x600mm WHITE, WHITE / BLACK, WHITE / OAK, OAK, WALNUT

Description: S2V1 ADJUSTABLE RETURN FRAME 700-1050mm WHITE, BLACK



Tools Required



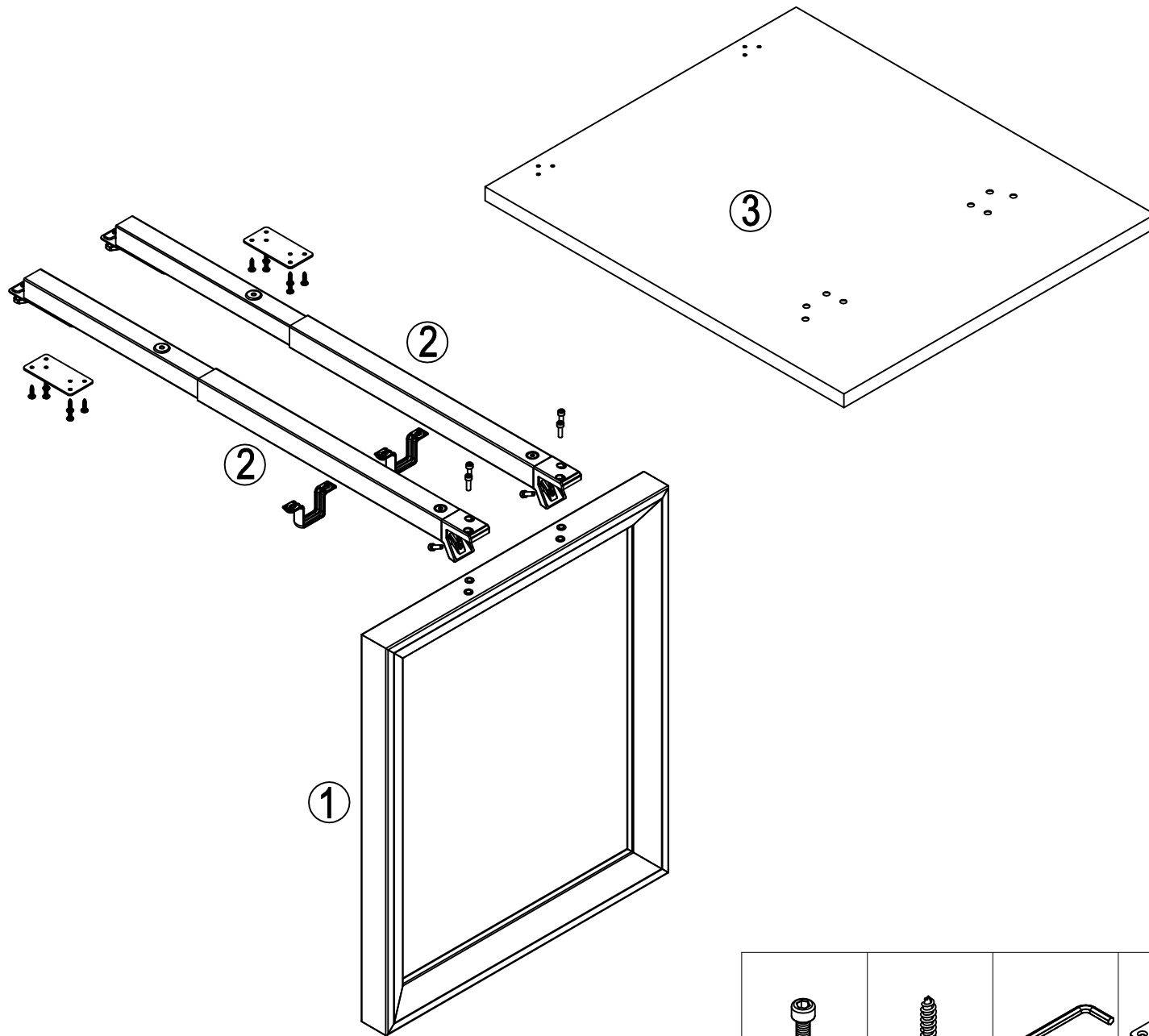
Assemble Item On a Clean Flat Surface









Need Two Or More People To Complete

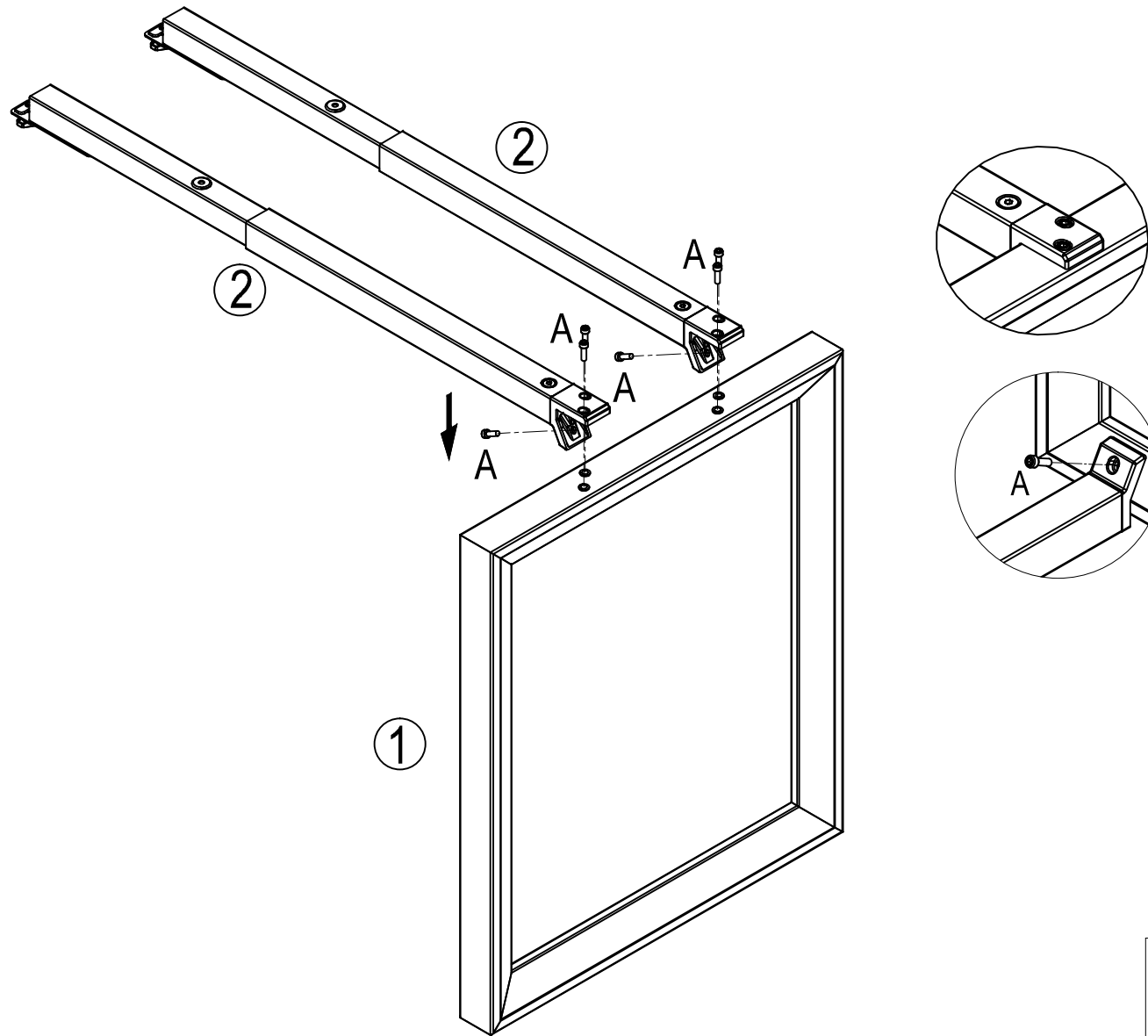




- Please check you have all hardware before assembling
- If you think you are missing any hardware please contact the store of purchase
- Please ensure you have the name of the item and hardware part required and quantity.
- Please retain your receipt for proof of purchase to validate warranty. Enjoy your new purchase



					
A x6(M6x20)	B x12(ST4.8x20)	C x1(5mm)	D x2	E x2	F x4

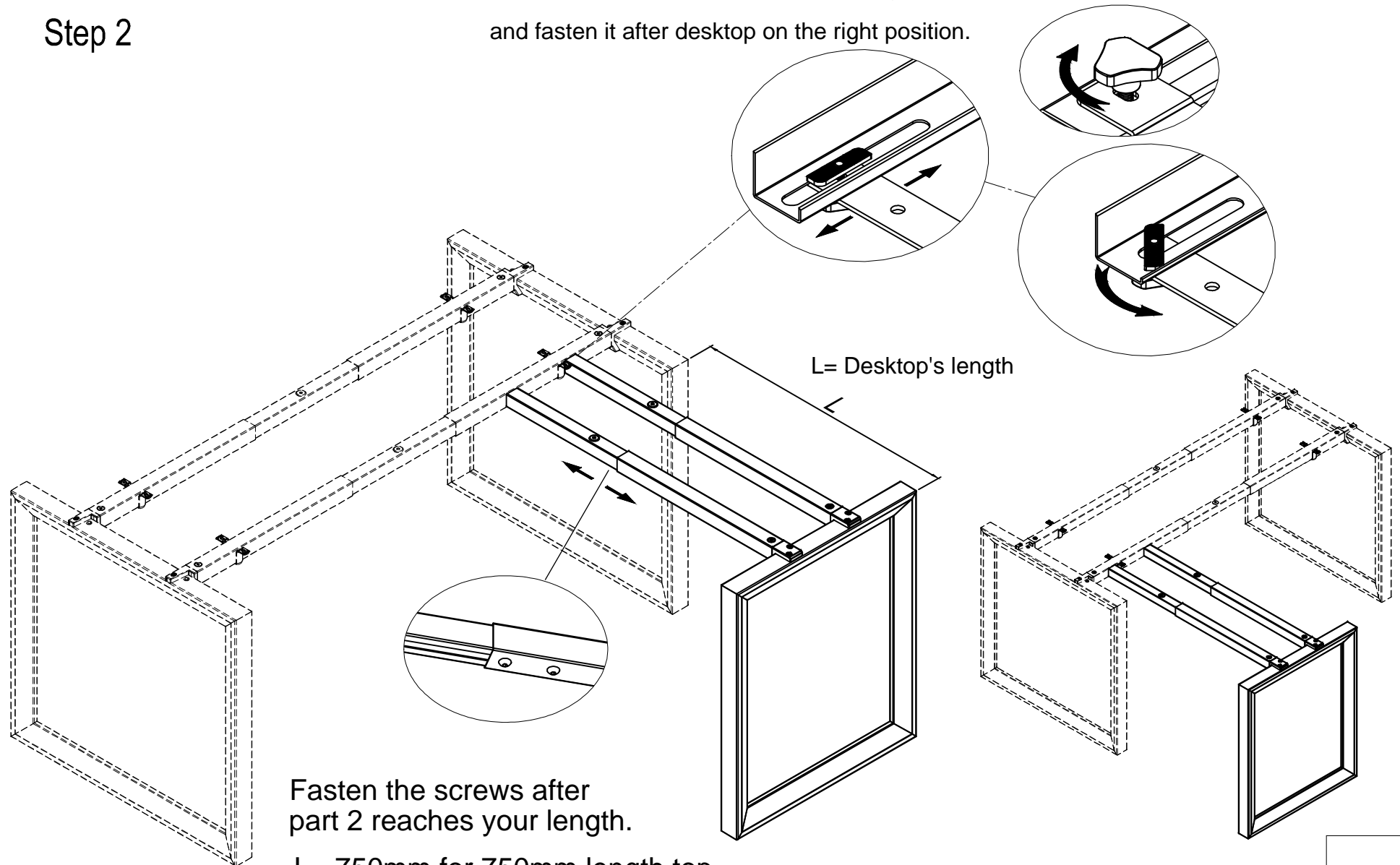
Step 1



	
A x6	C x1

Step 2

Beam(Part 2) can be moved to left or right,
and fasten it after desktop on the right position.

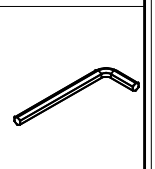


Fasten the screws after
part 2 reaches your length.

L= 750mm for 750mm length top.

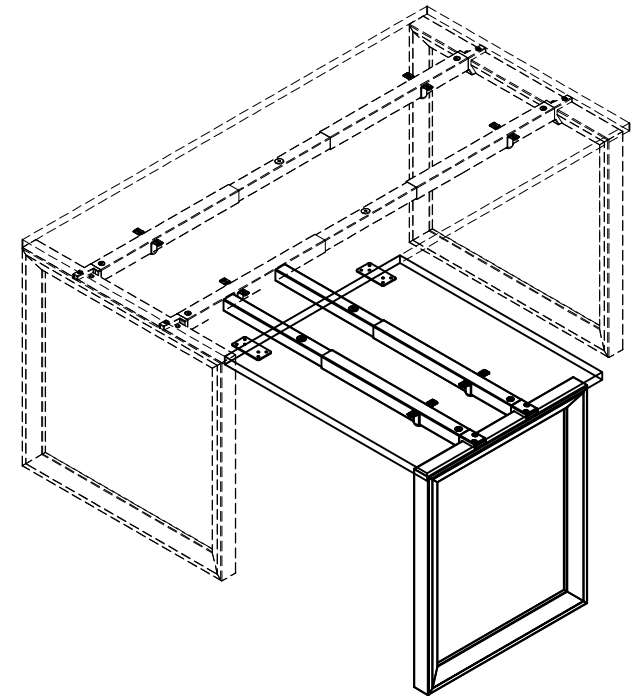
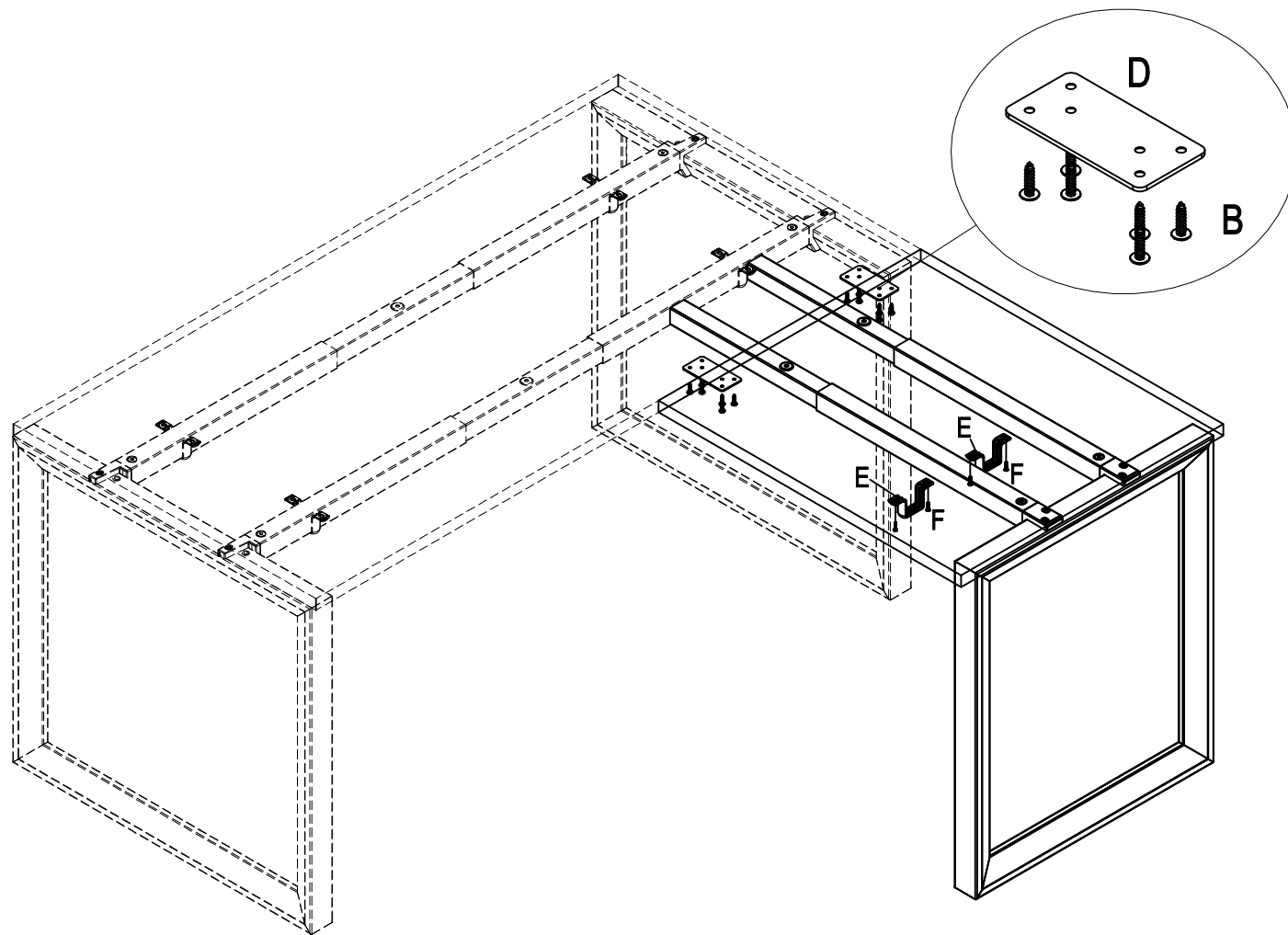
L= 1000mm for 1000mm length top.


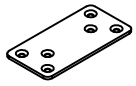


L= 1050mm for 1050mm length top.



C x1

Step 3



			
B x12	D x2	E x2	F x4