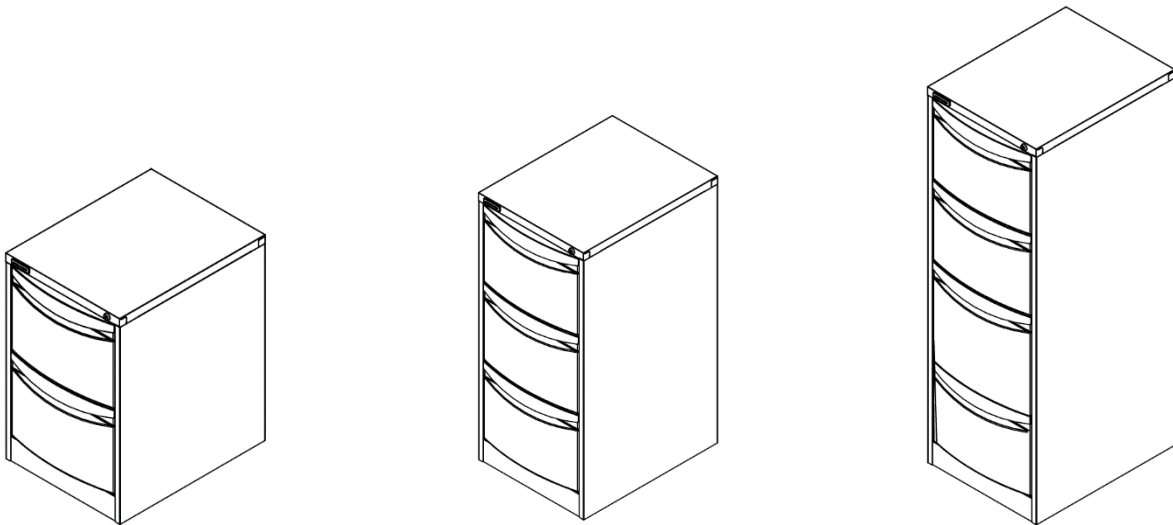


J.BURROWS

ANCHOR KIT ATTACHMENT GUIDE

Vertical Filing Cabinet

JBSTIL2DBK / JBSTIL2DWE / JBSTIL2DGE /
JBSTIL3DGE / JBSTIL3DWE / JBSTIL4DBK /
JBSTIL4DGE / JBSTIL4DRD / JBSTIL4DWE



This design and instruction booklet is subject to copyright.
www.officeworks.com.au

1 Carton

For spare parts or hardware call 1300 272 657 or info@olpinternational.com

Estimated Assembly Time: 5 minutes

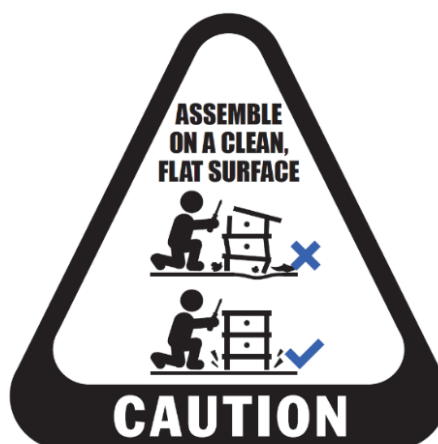
Customer Service Contact Details



Spare Parts & Hardware

1300 272 657 or info@olpinternational.com

People Required & General Advice



Tools Required

Tools required for anchor kit attachment



CAUTION: Do not use tools other than those required, as this can damage your new item.

NOTE

- Please check you have all hardware before assembling.
- For missing any hardware, please contact 1300 272 657 or info@olpinternational.com
- Please ensure you have the name of the item, required hardware part and quantity.
- Please retain your receipt as proof of purchase to validate your warranty.

CAUTION

- Do not tighten screws before all screws are in the right place.
- Do not use this product unless all bolts, screws and knobs are firmly secured.
- Check that all bolts, screws and knobs are securely tightened at least every 4 months.

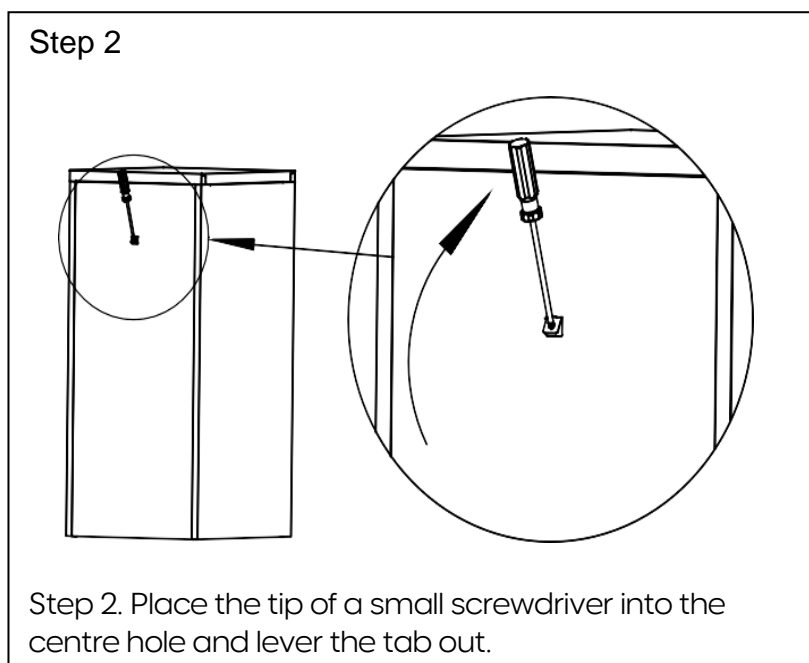
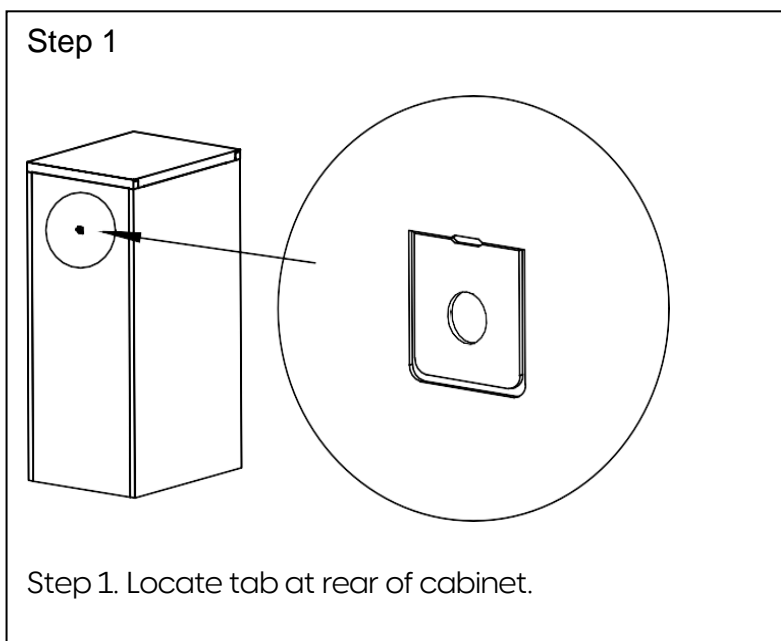
WARNING

- Ensure all drawers are always locked to reduce incidents of children using the drawers to climb
- If parts are missing, broken, damaged or worn stop using the product until all repairs are made using manufacturer authorised parts.
- Failure to follow these warnings could result in serious injury.

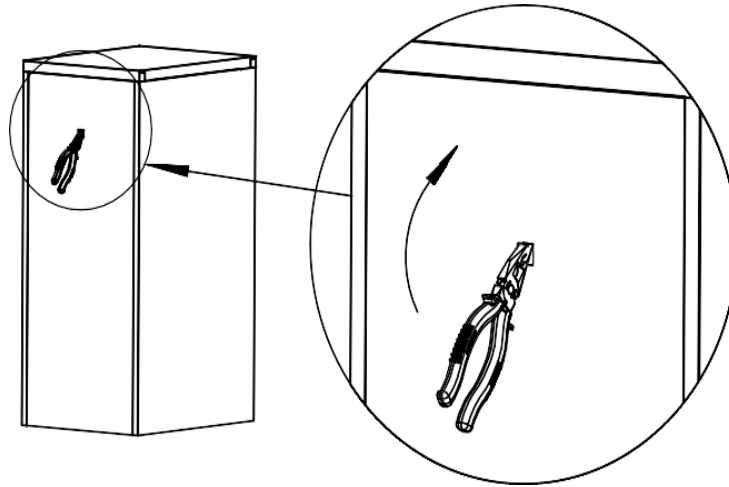
DANGER

- CHILDREN MUST BE SUPERVISED.

Assembly

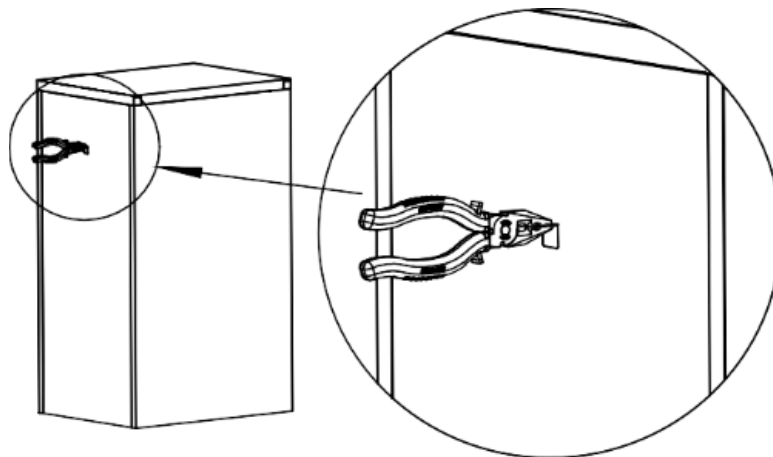


Step 3



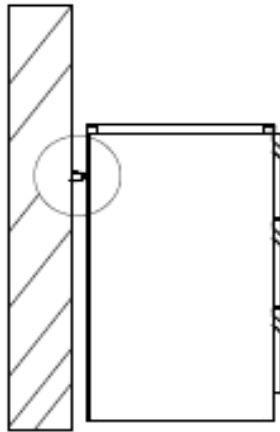
Step 3. Use pliers to clamp the tab and lever upward.

Step 4



Step 4. Lever the tab so that it sits horizontal (i.e. 90° to cabinet back).

Step 5



Step 5. Use a wall anchor kit (not supplied) to attach the cabinet to the wall using the tab to connect.

Functionality

The vertical filing cabinet is designed with lockable drawers & anti-tilt mechanism to fit A4 foolscap suspension files.

Care Advice

Care Instructions – Vertical Filing Cabinet

- Clean surfaces with a dry or damp soft cloth.
- Do not use abrasive cleaners.
- Do not use furniture wax or polish as the unit is finished with a protective clear lacquer.
- Clean, check and tighten all parts regularly.

Safety Warning



WARNING:



IT IS STRONGLY RECOMMENDED THAT YOU ANCHOR THIS PRODUCT TO AVOID INJURY.

DANGER – To prevent furniture from toppling attach, mount, bolt or otherwise secure to walls and floors. Do not put heavy items on top shelves of bookcases. Do not place unstable furniture near where children play. Please note that a wall anchor kit is not supplied, your local hardware store will have the necessary drills & fixings. If in doubt, please engage the services of a qualified tradesperson to install and anchor the product.

DANGER – Ensure all drawers are always locked to reduce incidents of children using the drawers to climb.

Warranty 15 years

Product Warranty – valid for Australian customers only

Officeworks Ltd warrants that this product will be free from defects and work as intended for 15 years from the date of purchase by the original customer.

If the product has any defects or does not work as intended during the Warranty Period, Officeworks will, at its election and at its expense, repair or replace the product.

This warranty does not apply:

- to cosmetic damage;
- to damage caused by consumables used in connection with the product (such as cleaning products);
- where the product has not been used in accordance with all provided instructions;
- to damage arising from fair wear and tear;
- to moving parts
- where the product has not been subject to reasonable use;
- where the product has been intentionally or negligently damaged; and/or
- if the customer has attempted to repair the product.

To make a claim under this warranty, please return your product with your receipt or proof of purchase to your nearest Officeworks store or contact 1300 633 423.

This warranty is provided in addition to any rights you may be entitled to under the Competitions & Consumer Act 2010.

Our goods come with guarantees that cannot be excluded under the Australian Consumer Law. You are entitled to a replacement or refund for a major failure and compensation for any other reasonably foreseeable loss or damage. You are also entitled to have the goods repaired or replaced if the goods fail to be of acceptable quality and the failure does not amount to a major failure.



Thank you for your purchase. Please retain your receipt to validate warranty.
If you would like to know more about our furniture products, please visit www.officeworks.com.au