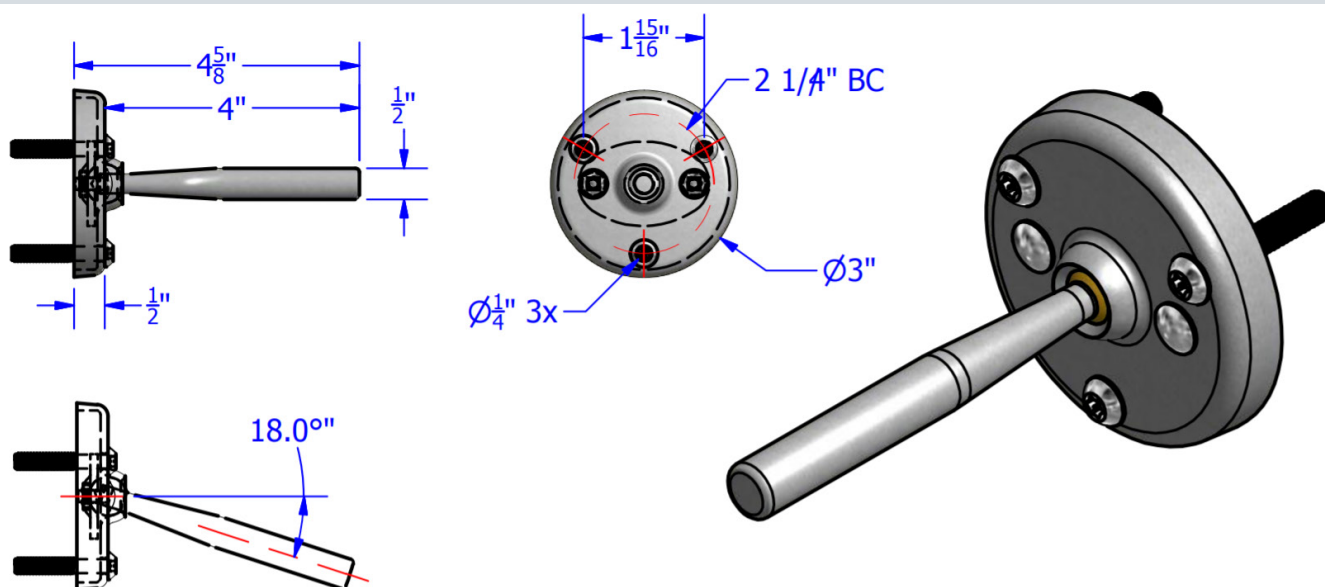




Technical Data/Install Guide Anti-Ligature Toilet Roll Holder

119770



Construction:

Flang: 11 guage x 3" diameter type 304 stainless steel
Rod: 1/2" Ø Stainless Steel Rod with pivoting ball joint that releases under excessive load.
Screws: 14G x 1 1/2 Resytork Self Tapper Screws [Requires T30 Drive Not Provided]

Operation:

Rod with pivoting ball joint releases when excessive load is applied.
Rod is reset by hand when required.

Installation:

Use the flange to mark holes a desired height. Install using the (3) 14G x 1 1/2 Resytork Self Tapper Screws to fasten to the wall.

Wall anchors are not included.

Caution: the installation is only as strong as the anchoring devices and the wall on which it is mounted to.

Guide Specification:

Holds one standard 5 In. Ø 4 1/2" long toilet issue roll.
Exposed mounting.
Rod releases when excessive load is applied.
One piece anti-ligature construction, satin #4 finish.



ABOUT HIPAC

We are an Australian healthcare company that guarantees to stand behind all our medical products, both manufactured and imported, because we're here for the life of our products and clients.

PO Box 797, 36 Long St. Goulburn NSW 2580, Australia
P. +61 2 4823 0000 E. info@hipac.com.au

SYDNEY | MELBOURNE | BRISBANE | ADELAIDE | PERTH

hipac.com.au

ABN 27 600 353 688