



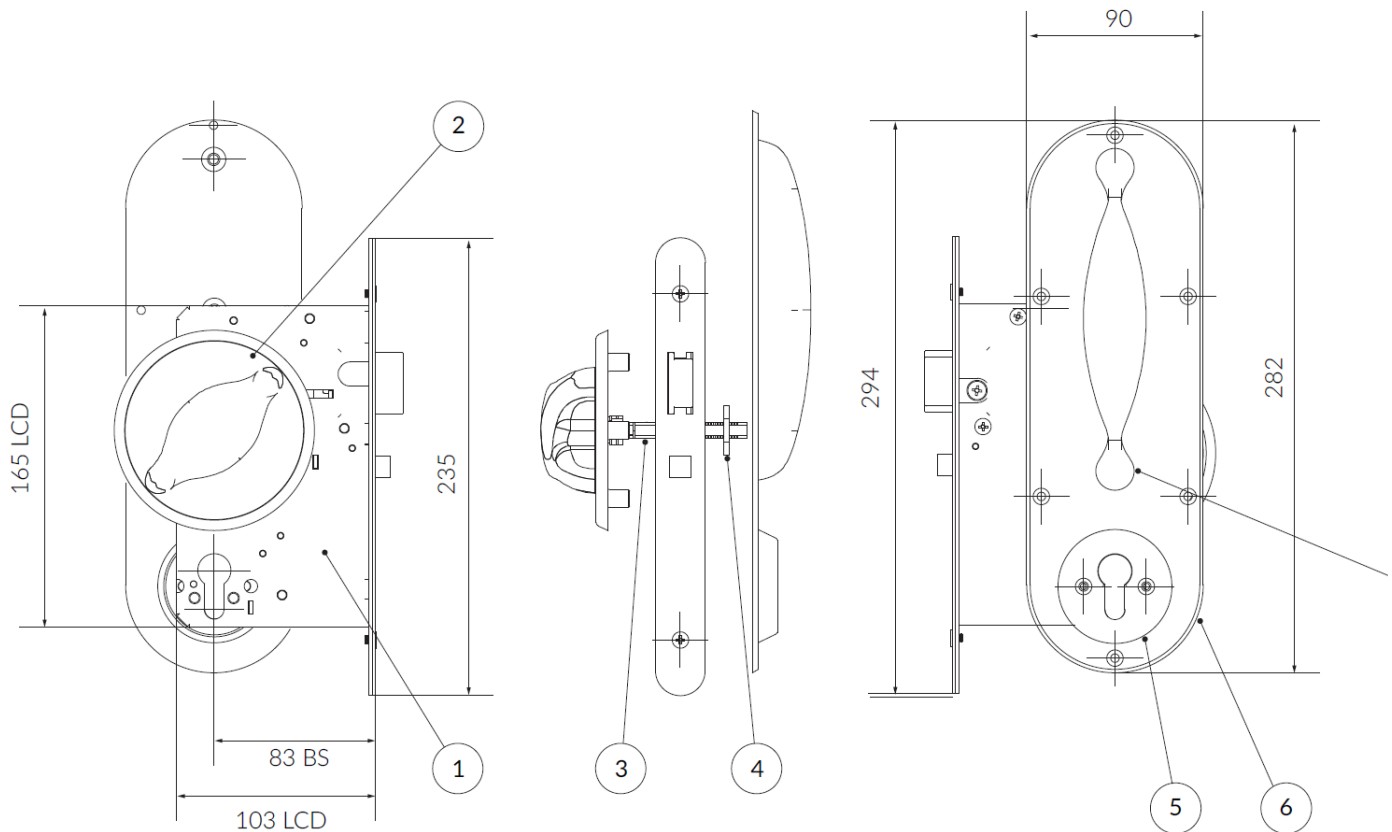
Anti-Ligature Auto Locking Nightlatch Lockset Primary Override

Datasheet

119036

CODE: 119036 - Anti-Ligature Auto Locking Nightlatch Lockset

CODE: 117084 - Anti-Ligature Auto Locking Nightlatch Lockset [With Passage Set Function]



LCD = Lockcase Depth

LCH = Lockcase Height

BS = Backset

PARTS LIST

ITEM	QTY	PART NUMBER	PRIMERA CODE	ITEM	QTY	PART NUMBER	PRIMERA CODE
1	1	B200138	PR-6104ALNL-NHB	5	1	B310201	PR-4-58E-SSS
2	1	B310102	PR-4-728TP-SSS	6	1	B411223	
3	1	B200704	PR-6704-SPIN-UNI	7	1	B310103	PR-4-729-SSS
4	1	B500101	PR-5-B500101				



Anti-Ligature Auto Locking Nightlatch Lockset Primary Override

Datasheet

Material

Handle & Turn/Pull Dish: Die-cast Mazak 5 handle. Electro-plated SSS finish.

Flat Backplate: 3mm Chamfered mild steel. Electro-plated SSS finish.

Roller Bolt Deadlock: Predominantly manufactured from steel.

Fixings

6 lobe pin-torx anti-tamper stainless steel security screws.

Maintenance

Lubrication: RS High Performance Dry Lubricant Primera Code B7002421. (Not the Cylinder)

Cleaning: Proprietary baby oil and soft cloth.

Standards

ITEM	PART NUMBER	PRIMERA CODE	DHF T001:2013
2	B310102	PR-4-728TP	PASSED A4
5	B310201	PR-4-58E	PASSED A4
6	B411223	PR-5-B411223	PASSED A4
7	B310103	PR-4-729	PASSED A4

Certifications

CE: Lockcase:	BS/EN 12209:2013	[British Standards Institute]
Fire Testing:	BS/EN 1634-1	[Exova Warrington Fire]

ABOUT HIPAC

We are an Australian healthcare company that guarantees to stand behind all our medical products, both manufactured and imported, because we're here for the life of our products and clients.

PO Box 797, 36 Long St. Goulburn NSW 2580, Australia

P. +61 2 4823 0000 E. info@hipac.com.au

SYDNEY | MELBOURNE | BRISBANE | ADELAIDE | PERTH

hipac.com.au

ABN 27 600 353 688