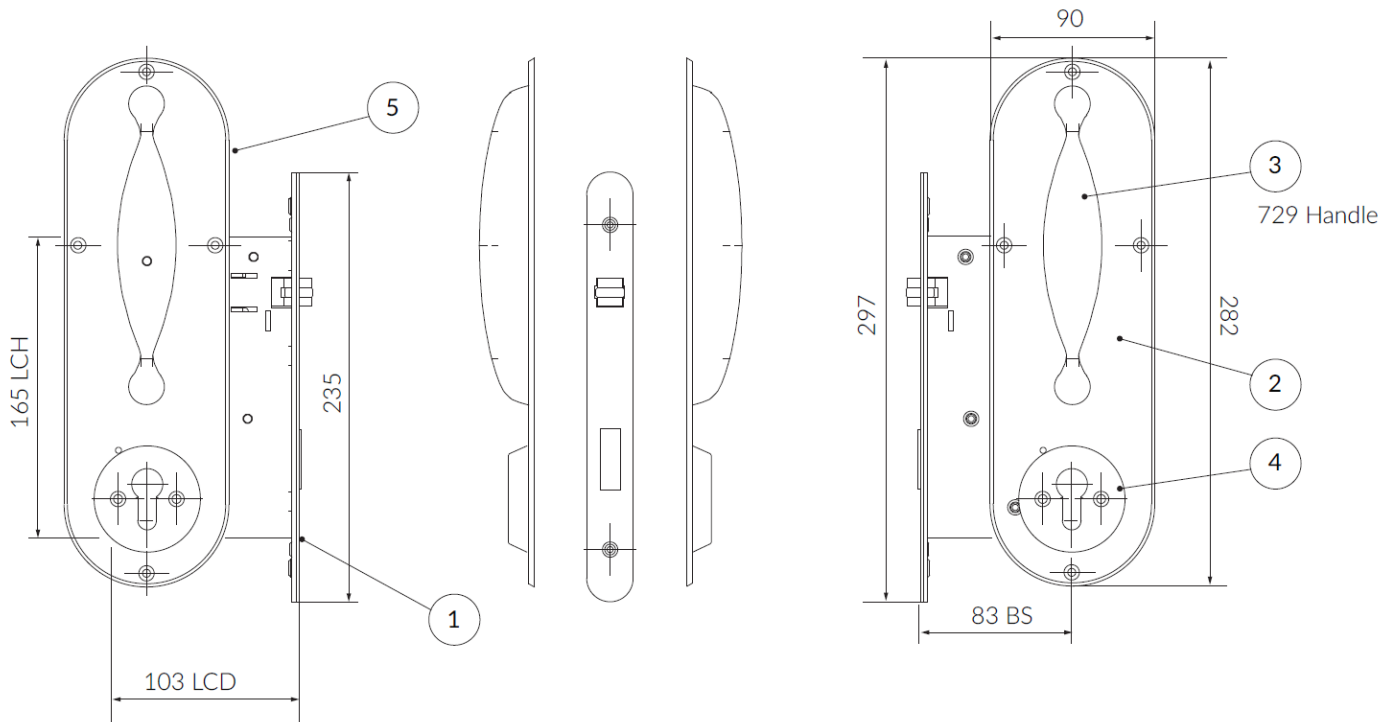




## Anti-Ligature Communal Lockset Primary Override [Excludes Cylinder]

Datasheet

136212



Internal View

External View

LCD = Lockcase Depth  
LCH = Lockcase Height  
BS = Backset

### PARTS LIST

ITEM	QTY	PART NUMBER	PRIMERA CODE	ITEM	QTY	PART NUMBER	PRIMERA CODE
1	1	B200131	PR-6131RBD	3	2	B310103	PR-4-729
2	2	B411223	PR-5-B411223	4	2	B310201	PR-4-58E

**Anti-Ligature Communal Lockset Primary Override [Excludes Cylinder]****Datasheet****Material****Handle & Turn/Pull Dish:** Die-cast Mazak 5 handle. Electro-plated SSS finish.**Flat Backplate:** 3mm Chamfered mild steel. Electro-plated SSS finish.**Roller Bolt Deadlock:** Predominantly manufactured from steel.**Fixings**

6 lobe pin-torx anti-tamper stainless steel security screws.

**Maintenance****Lubrication:** RS High Performance Dry Lubricant Primera Code B700241. [Not the Cylinder].**Cleaning:** Proprietary baby oil and soft cloth.**Standards**

ITEM	PART NUMBER	PRIMERA CODE	DHF T001:2013
2	B411223	PR-5-B411223	PASSED A4
3	B310103	PR-4-729	PASSED A4
4	B310201	PR-4-58E	PASSED A4

**Certifications**

CE: Lockcase:	BS/EN 12209:2013	[British Standards Institute]
Fire Testing:	BS/EN 1634-1	[Exova Warrington Fire]

**ABOUT HIPAC**

We are an Australian healthcare company that guarantees to stand behind all our medical products, both manufactured and imported, because we're here for the life of our products and clients.

PO Box 797, 36 Long St. Goulburn NSW 2580, Australia  
P. +61 2 4823 0000 E. [info@hipac.com.au](mailto:info@hipac.com.au)

SYDNEY | MELBOURNE | BRISBANE | ADELAIDE | PERTH

[hipac.com.au](http://hipac.com.au)

ABN 27 600 353 688