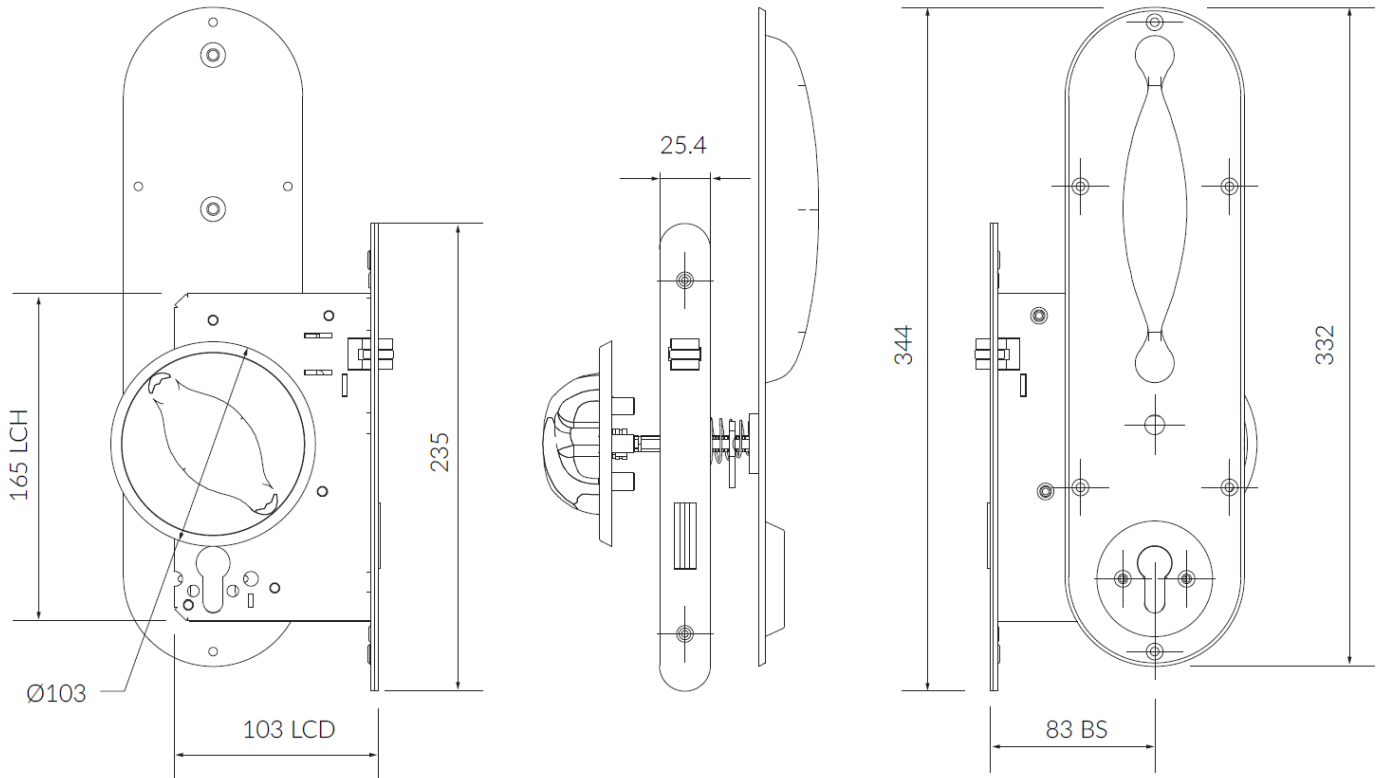




Anti-Ligature Bathroom Indicator Lockset Primary Override Excludes Cylinder

Datasheet

115172



Internal View

External View

LCD = Lockcase Depth
 LCH = Lockcase Height
 BS = Backset

PARTS LIST

ITEM	QTY	PART NUMBER	PRIMERA CODE	ITEM	QTY	PART NUMBER	PRIMERA CODE
1	1	B200101	PR-6101RBD	7	1	B500102	PR-7102-TPSP
2	1	B310102	PR-4-728TP-SSS	7	1	B500302	PR-7134-ID
3	1	B200704	PR-6704-SPIN-UNI	9	1	B500304	Red/Green Indicator sticker
4	1	B411220	PR-5-B411220				
5	1	B310201	PR-4-58E-SSS	10	1	B500301	PR-7131-IS
6	1	B310103	PR-4-729-SSS				

Note: PR-6101RBD is an original Red Labeled Lockcase, If a unified Blue Label is used then the code is PR-130RBD



Anti-Ligature Bathroom Indicator Lockset Primary Override Excludes Cylinder

Datasheet

Material

Handle & Turn/Pull Dish: Die-cast Mazak 5 handle. Electro-plated SSS finish.
Flat Backplate: 3mm Chamfered mild steel. Electro-plated SSS finish.
Roller Bolt Deadlock: Predominantly manufactured from steel.

Fixings 6 lobe pin-torx anti-tamper stainless steel security screws.

Maintenance

Lubrication: RS High Performance Dry Lubricant Primera Code B700241. [Not the Cylinder].
Cleaning: Proprietary baby oil and soft cloth.

Standards

ITEM	PART NUMBER	PRIMERA CODE	DHF T001:2013
3	B310102	PR-4-728TP	PASSED A4
5	B310201	PR-4-58E	PASSED A4
6	B411102	PR-5-B411202	PASSED A4
7	B310103	PR-4-729	PASSED A4

Certifications

CE: Lockcase:	BS/EN 12209:2013	[British Standards Institute]
Fire Testing:	BS/EN 1634-1	[Exova Warrington Fire]

ABOUT HIPAC

We are an Australian healthcare company that guarantees to stand behind all our medical products, both manufactured and imported, because we're here for the life of our products and clients.

PO Box 797, 36 Long St. Goulburn NSW 2580, Australia
P. +61 2 4823 0000 E. info@hipac.com.au

SYDNEY | MELBOURNE | BRISBANE | ADELAIDE | PERTH

hipac.com.au

ABN 27 600 353 688