



Anti-Ligature Coat and Towel Hook

Datasheet

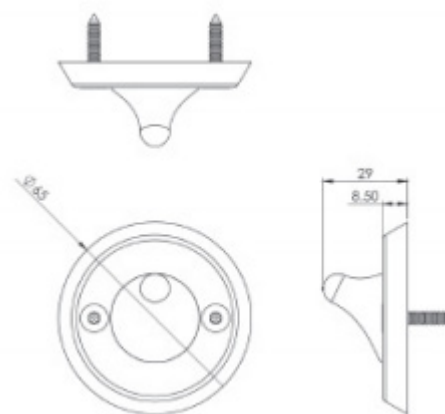
The anti ligature coat and towel holder has a flexible rubber part which is fixed within a stainless steel surround and has a load release threshold. Made from a low shore rating rubber with a high silicon content and fixed by two security screws that pass through the stainless steel surround and the rubber.

Installation Description

- Mark out the fixing holes using the template provided.
- Drill both fixing holes and use suitable wall plugs where necessary.
- Fix in place using the two security screws provided.



Operation	Designed for garment and towels up to 6kg in weight secured using two No.8 security screws.
Maintenance	Periodic checks should be made to ensure the fixings remain tight and that the rubber has not been damaged.
Cleaning	Cleaning of the coat and towel holder should be with a damp cloth. Cleaning agents should be avoided
Guarantee	10 Year Guarantee (For faulty manufacture and not for damage)



ABOUT HIPAC

We are an Australian healthcare company that guarantees to stand behind all our medical products, both manufactured and imported, because we're here for the life of our products and clients.

PO Box 797, 36 Long St. Goulburn NSW 2580, Australia
P. +61 2 4823 0000 E. info@hipac.com.au

SYDNEY | MELBOURNE | BRISBANE | ADELAIDE | PERTH

hipac.com.au

ABN 27 600 353 688