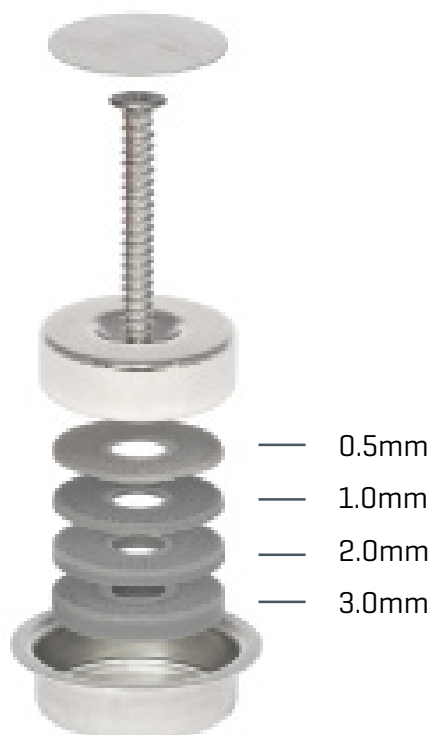




## Concealed Magnetic Catch

### Product Datasheet

Heavy Duty Concealed Magnetic Catch suitable for full size doors  
(e.g wardrobe/cupboard, double internal doors.)



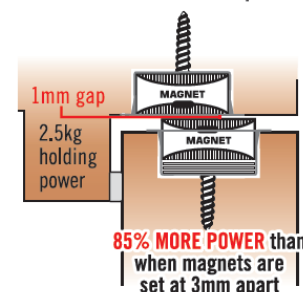
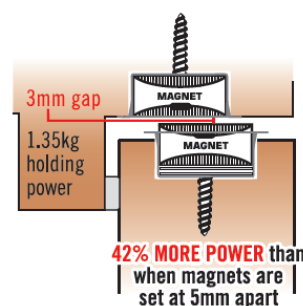
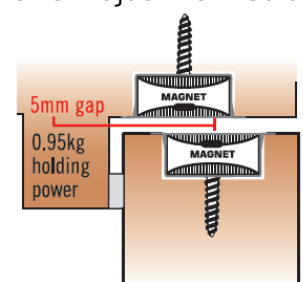
#### Product Codes:

143288 - for timber door/timber frame applications.

143289 - for timber door/metal frame applications c/w SS frame plate.

- Can be used anywhere a roller/ball catch etc. would normally be fitted.
- As magnets don't touch (after installation)
  - the catch will never wear out!
  - Lifetime guarantee [for magnetism].
  - can be painted over.
- No latch noise when opening and shutting door [unlike a roller/ball catch]
- Completely concealed when door closed, no unsightly protruding strike plate lip [unlike a roller/ball catch].
- Can be used to help keep problem doors shut [e.g. with weak door closers, electric strikes, weak roller mortice locks, double sliding doors].
- Quick and easy to install - No chiseling required.  
Ezifit s/steel housing cup automatically sets the magnets perfectly parallel to each other, essential for precise power adjustment.
- Power adjustment packers increase magnetic holding strength by inserting power adjustment packers [inside housing, under magnet] as required. [See picture]. Supplied in four sizes; 0.5mm - 3mm thick, for precise power adjustment.

#### Power Adjustment Guide





- Self Adhesive/Magnetic Cover Plate [Brushed S/Steel]
  - Protects magnets from impact damage during installation.
  - Protects magnets from corrosion.
  - Conceals magnet and screw head for a more attractive finish.
- Poron Xrd Foam impact absorption pad [sold separately]
  - Use [esp. with double doors] to further reduce impact noise and bouncing of door on frame when shutting.
  - Low compression set - After impact, foam pad will return to its original thickness indefinitely.

