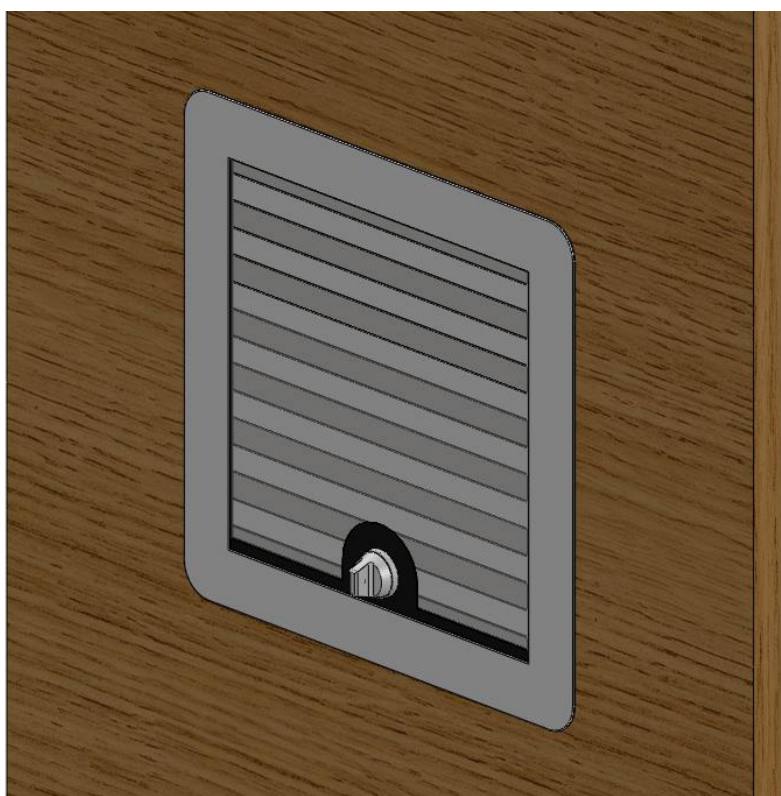




## Stainless Steel Surround Datasheet



A stylish 2mm thick brushed Stainless Steel surround which gives maximum durability and is easy to maintain. No visible fixings on the patient side. The pressed countersunk fixing holes help prevent risk of their fixing pulling through the surround on abuse.

### Stainless Steel Surround Benefits

- ▶ Reduces risk of self-harm
- ▶ Helps eliminate ligature attachments
- ▶ Helps reduce infection control

### Stainless Steel Surround Features

- ▶ No visible fixings on patient side
- ▶ Softened inner and outer edges

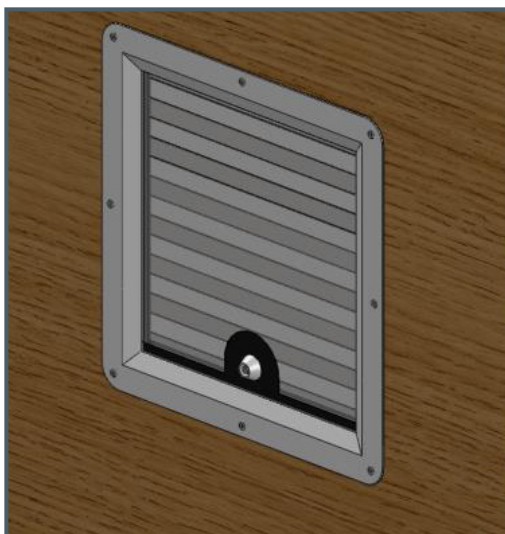
### PRODUCT SPECIFICATIONS

Size:	Rectangular 320 x 870mm Square 470 x 470mm
To Suit:	44mm of 54mm door thickness 400 x 400mm or 250 x 800mm Vision Panel
Available Glass Configurations:	6,6mm 6,10mm 10,10mm 10,19mm Thickness: 2mm
Finish:	Brushed stainless steel. Can be colour coated or any ral number or wood effect.
Fixing:	As per manufacturers recommendations. Fixing template supplied with delivery of orders.



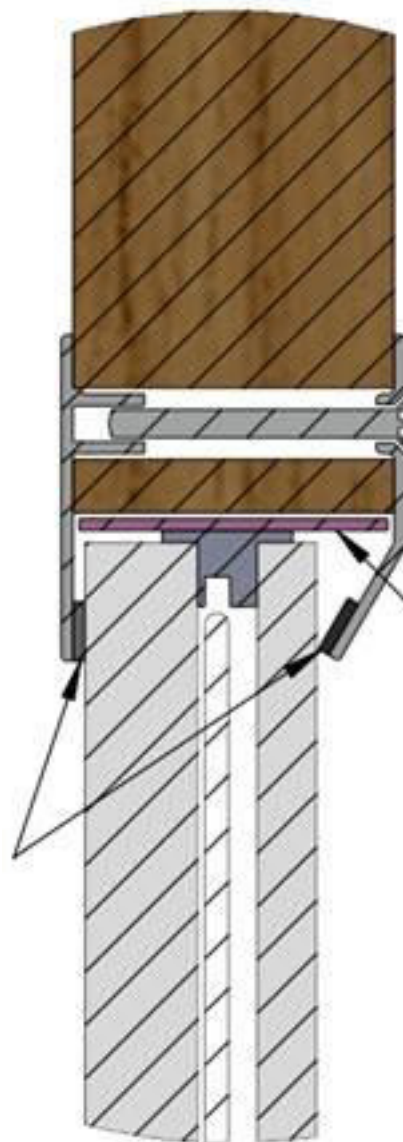
## Order Matrix

To Suit	Order Code	Product Description	Glass Configuration	Overall Width	Overall Height
400 x 400mm Panel in a 44mm Door	SSS-400-6-6-44	Stainless Steel Surround	6mm,6mm	470mm	470mm
	SSS-400-6-10-44		6mm,10mm		
	SSS-400-10-10-44		10mm,10mm		
	SSS-400-10-19-44		10mm,19mm		
400 x 400mm Panel in a 54mm Door	SSS-400-6-6-54		6mm,6mm		
	SSS-400-6-10-54		6mm,10mm		
	SSS-400-10-10-54		10mm,10mm		
	SSS-400-10-19-54		10mm,19mm		
250 x 800mm Panel in a 44mm Door	SSS-250-6-6-44	6mm,6mm	320mm	870mm	
	SSS-250-6-10-44	6mm,10mm			
	SSS-250-10-10-44	10mm,10mm			
	SSS-250-10-19-44	10mm,19mm			
250 x 800mm Panel in a 54mm Door	SSS-250-6-6-54	6mm,6mm			
	SSS-250-6-10-54	6mm,10mm			
	SSS-250-10-10-54	10mm,10mm			
	SSS-250-10-19-54	10mm,19mm			





10mm x 2mm  
intumescent

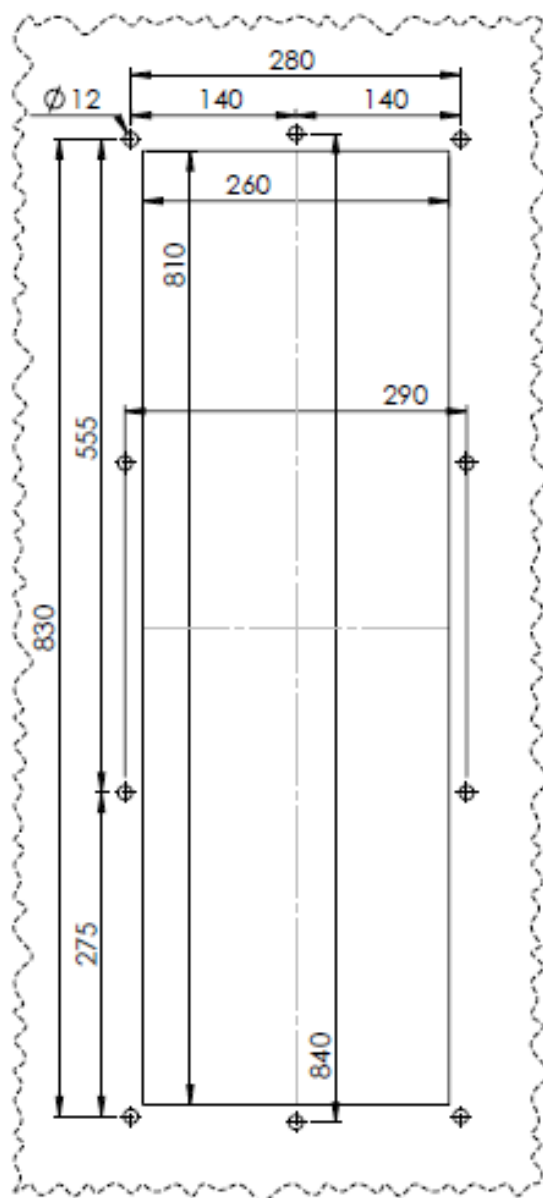
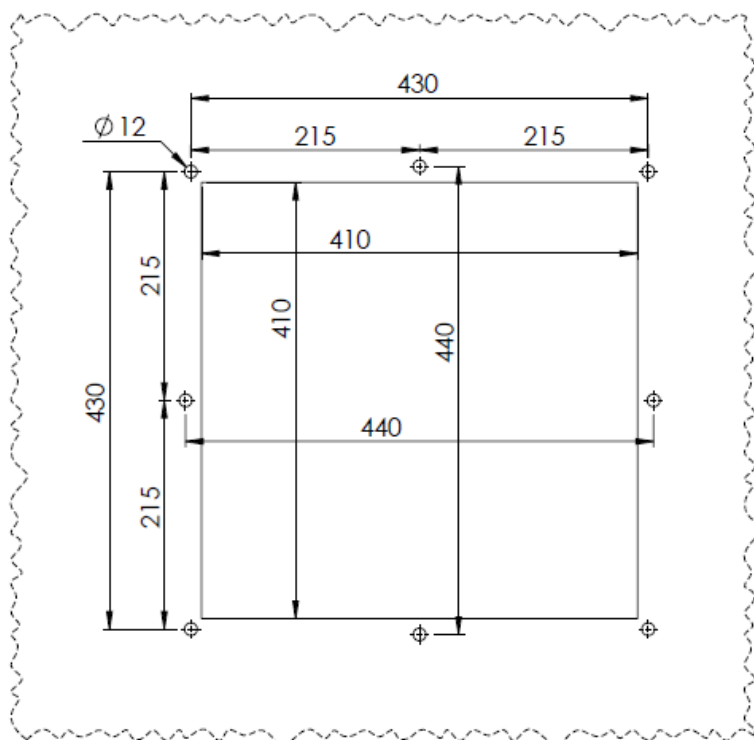


52mm x 2mm  
intumescent

Note: Flat plate goes to the bedroom and the chamfered side goes to the corridor.



## Fitting Template Detail



### ABOUT HIPAC

We are an Australian healthcare company that guarantees to stand behind all our medical products, both manufactured and imported, because we're here for the life of our products and clients.

PO Box 797, 36 Long St. Goulburn NSW 2580, Australia  
P. +61 2 4823 0000 E. [info@hipac.com.au](mailto:info@hipac.com.au)

SYDNEY | MELBOURNE | BRISBANE | ADELAIDE | PERTH

[hipac.com.au](http://hipac.com.au)

ABN 27 600 353 688