

**Dual, Variable-Focus 30/24" LED Surgical Light with Camera and Monitor Arm****VCALFSAUA5****Technical Data**

Fixture Weight: 274 kg  
Moment Load: 2148 N·m  
Minimum Ceiling Height: 2999mm  
Maximum Ceiling Height: 3346mm  
Electrical: 100-240VAC, 148-240VA, 50/60 Hz, 1 phase  
Max Intensity at 1 meter (lux): @4100K = 320,000  
@4500K = 286,500  
Central Illuminance at 1 meter (lux):  
AUA5 @4100K = 160,000 @4500K = 140,500  
AUA7 @4100K = 160,000 @4500K = 146,000  
CRI: AUA5 @4100K = 95 @4500K = 96  
AUA7 @4100K = 95 @4500K = 95  
Color Temperature: @4100K @4500K  
Total Irradiance (watts/m<sup>2</sup>):  
AUA5 @4100K = 532.3 @4500K = 475.9  
AUA7 @4100K = 523.6 @4500K = 483.7  
R9: AUA5 @4100K = 91 @4500K = 95  
AUA7 @4100K = 89 @4500K = 97



Model VCALFSAUA75

**Architectural Specification**

The Aurora Four surgical lighting system consists of a ceiling mounted radial arm system with a Camerahead, Flat Screen monitor mount, a 30" [762mm] diameter lighthead and a 24" [610mm] diameter lighthead. The Camerahead mount provides 270° of rotation. Flat Screen monitor mount arm provides 340° rotation at the ceiling mount with adjustable stops. Monitor mounts provide 540° of rotation, 150° of tilt and will accommodate up to a 20 pound [9 kg] flat screen monitor. Continuous 360° rotation is provided at all fixture rotation points.

Standard lightheads are equipped with a sterilisable centre handle that allows surgeon control of lighthead positioning, focus and intensity. A focus knob and positioning handles are provided on the side of the lighthead for non-sterile control.

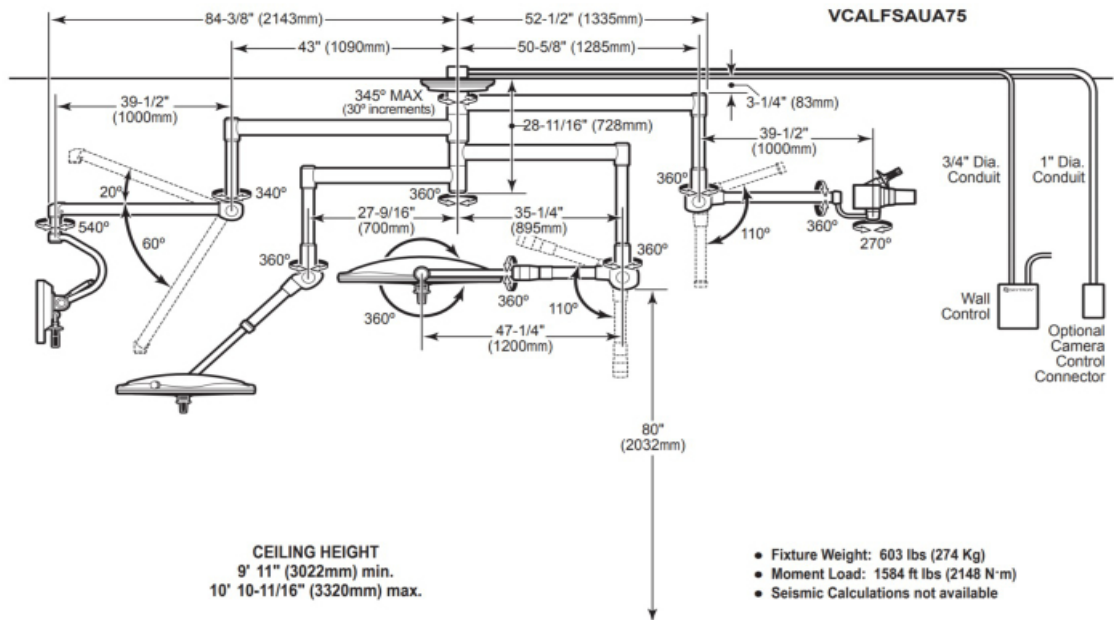
The 30" [762mm] diameter lighthead contains 7 focusable LED pods and the 24" [610mm] lighthead contains 5 focusable LED pods. Each focusable pod contains 7 individual LEDs with VSRD reflector technology. Each lighthead also contains 12 fixed focus centre mounted LEDs. Total system output is 320,000 lux at a colour temperature of 4,100K. LED life expectancy is 40,000 hours.

SKYTRON Aurora Four series, model VCALFSAUA75. Flat Screen monitors provided separately.

# Dual, Variable-Focus 30/24" LED Surgical Light with Camera and Monitor Arm

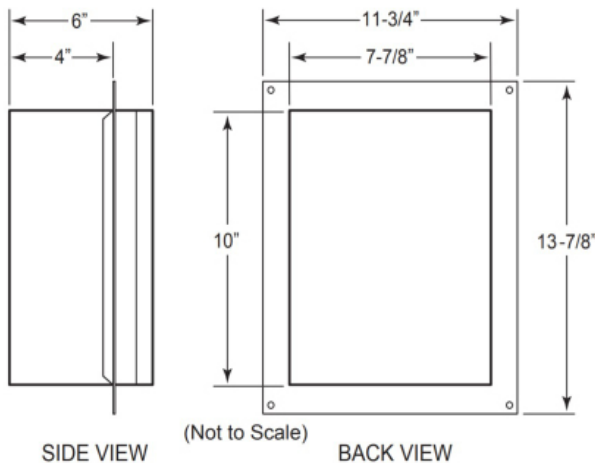
VCALFSAUA5

## Product Elevation View

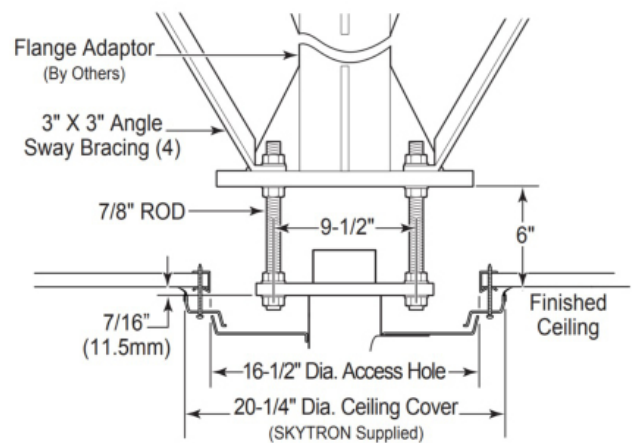


## Mounting

**Wall Control**  
 – Required, Priced Separately –



**Typical Mounting Structure**  
 – Provided by Others –



Refer to Installation Instructions for specific mounting structure guidelines, wiring and wall control installation details.

### ABOUT HIPAC

We are an Australian healthcare company that guarantees to stand behind all our medical products, both manufactured and imported, because we're here for the life of our products and clients.

PO Box 797, 36 Long St. Goulburn NSW 2580, Australia  
 P. +61 2 4823 0000 E. info@hipac.com.au

SYDNEY | MELBOURNE | BRISBANE | ADELAIDE | PERTH

[hipac.com.au](http://hipac.com.au)

ABN 27 600 353 688