



**ENSUITE LEAF DESIGN OPTIONS**

**Mountain Scene**

Narrow - 138897

Medium - 138898

Wide - 138899



**Beach Scene**

Narrow - 138900

Medium - 138901

Wide - 138902



**Meadow Scene**

Narrow - 138903

Medium - 138904

Wide - 138905





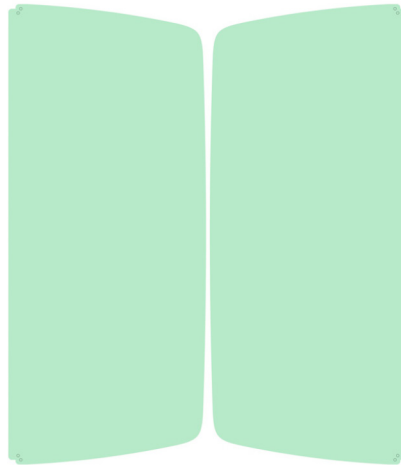
## ENSUITE LEAF DESIGN OPTIONS

### Green

Narrow - 138906

Medium - 138907

Wide - 138908



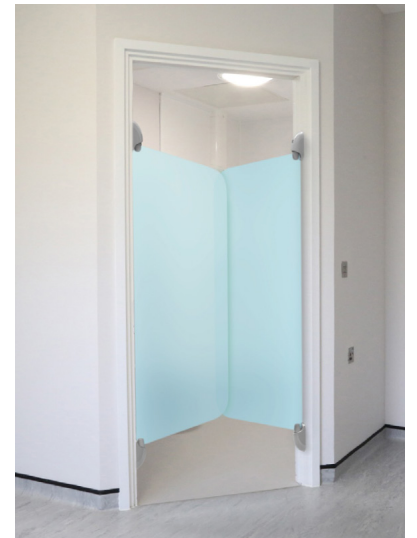
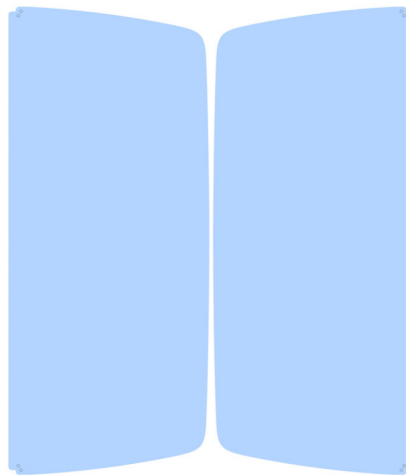
---

### Blue

Narrow - 138909

Medium - 138910

Wide - 138911





## ENSUITE LEAF DESIGN OPTIONS

### En-Suite Pivot Set Options

Type	Content	Order Code
Staff Only Reset* [Lifeline]	Complete pivot set (2x lifeline, 2x Non-lifeline) with fittings	138912
Standard [Non-Lifeline]	Complete pivot set (4x Non-lifeline) with fittings	138913

### Select Leaf Size

Leaf Size	Min FO	Max FO
Narrow	600mm	740mm
Medium	741mm	870mm
Wide	871mm	1000mm

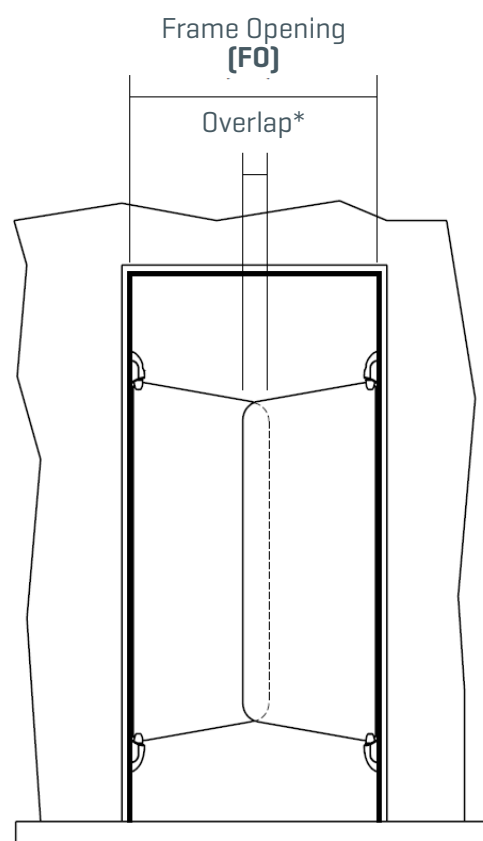
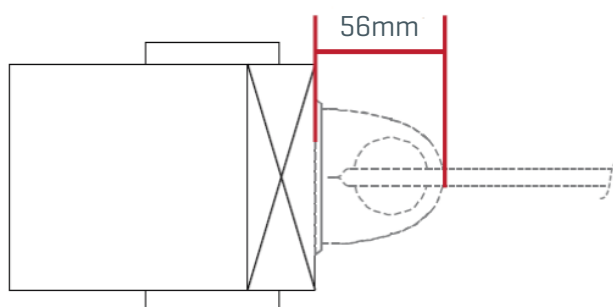
\*Overlap will range from 20mm at 'Max FO' to 150mm at 'Min FO'

We do not recommend an overlap outside of this range

#### CLEAR OPENING WIDTH

The clear opening width (COW) can be calculated by:

$$FO - 112mm = COW$$



#### ABOUT HIPAC

We are an Australian healthcare company that guarantees to stand behind all our medical products, both manufactured and imported, because we're here for the life of our products and clients.

PO Box 797, 36 Long St. Goulburn NSW 2580, Australia

P. +61 2 4823 0000 E. [info@hipac.com.au](mailto:info@hipac.com.au)

SYDNEY | MELBOURNE | BRISBANE | ADELAIDE | PERTH

[hipac.com.au](http://hipac.com.au)

ABN 27 600 353 688