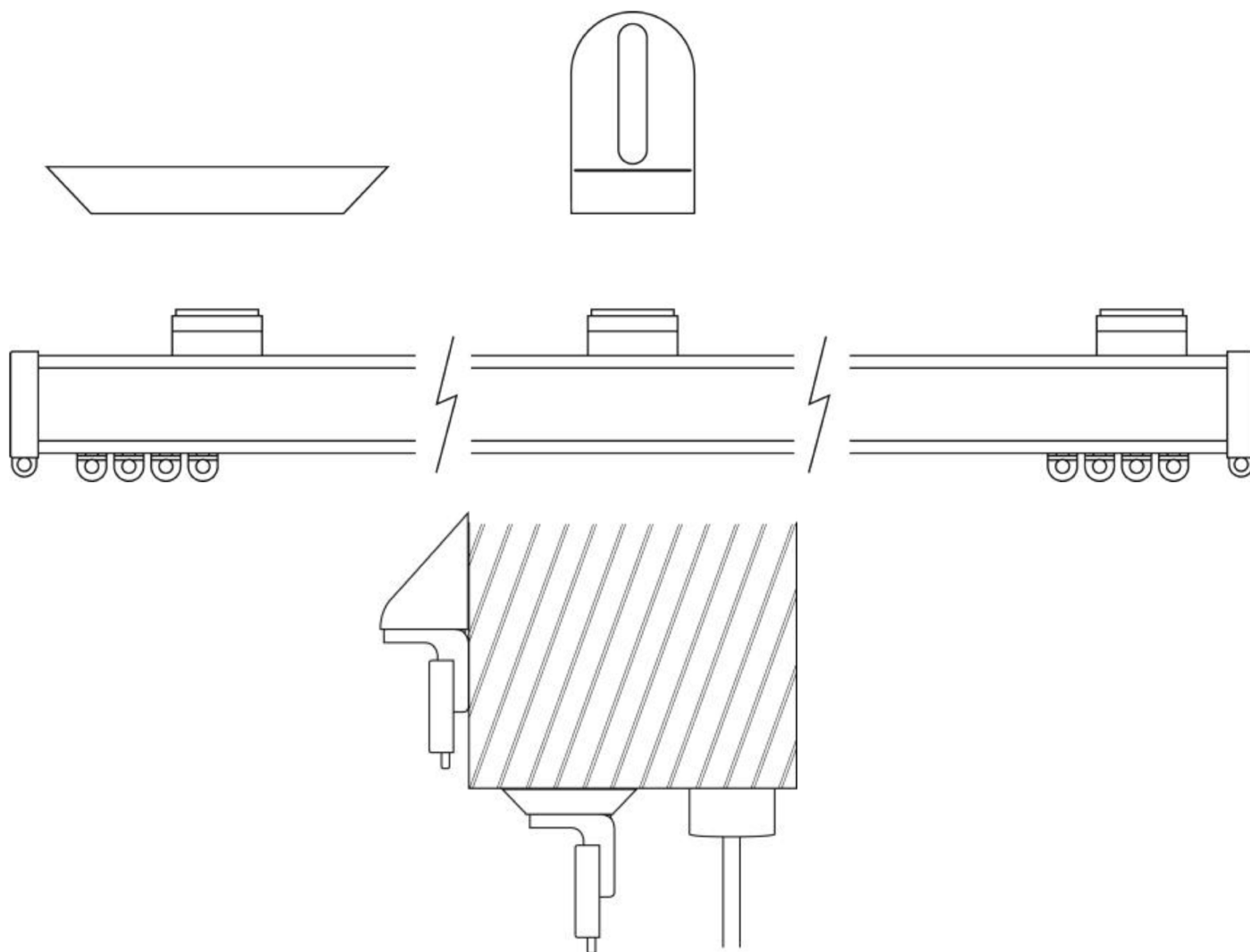




Kestrel Vitesse Curtain Track K9500

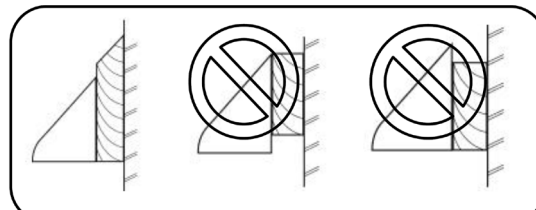
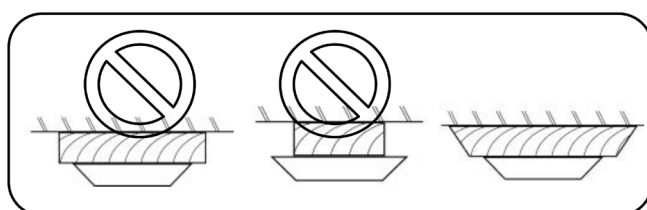
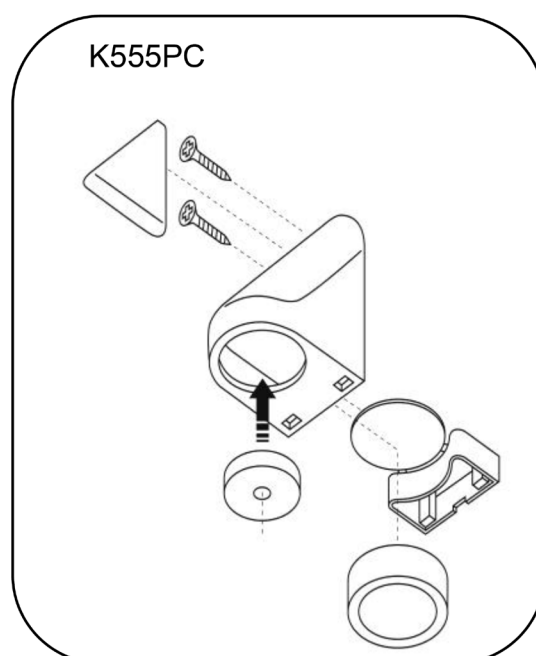
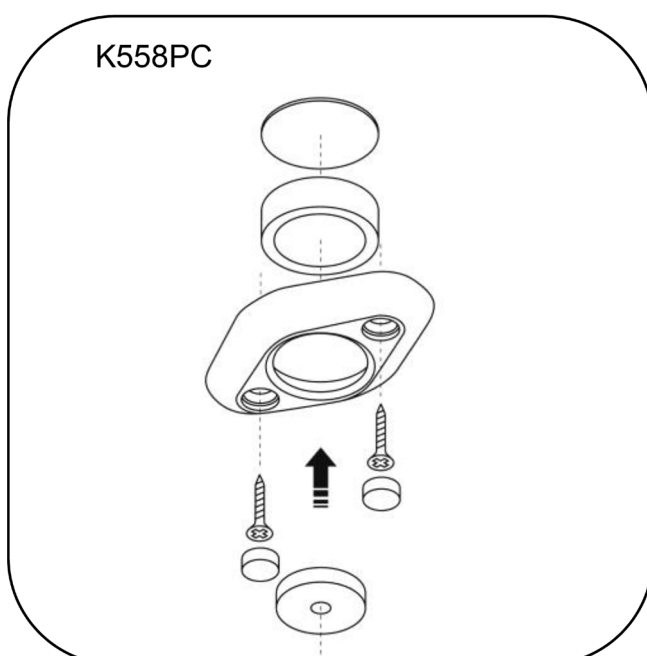
Fitting Instructions



1. The track come pre assembled with even bracket spacing of no wider than 400mm. If tracks are being mounted on existing brackets or where the brackets have to be positioned to avoid obstructions, adjustments can be made as per the following.
2. Each track bracket is made up with 3 parts, bracket main body, track insert which slides into track profile, and cover cap. To move bracket position, remove cover cap with small slotted screwdriver, loosen screws that clamp against track and slide bracket to new desired position. Tighten screws and replace cover cap.



3. Take track and hold up against fixing position, then mark centre of bracket position. If track is large, just mark centre bracket position at this stage.
4. Fix top or face brackets to ceiling or wall using suitable fixing screws/plugs as per shown below. It is important that the bracket is securely fixed to the substrate using TWO fixing screws and care must be taken to ensure that no ligature points are left once installation has been completed. If a degree of float is required in the magnet, the packing disc may be discarded.



5. Try track in position, attach further brackets where required.
6. Once track is fitted and bracket positioning has been confirmed by testing, the push-in screw cover **MUST** be fitted ensuring that it is flush with the bracket body. The push-in screw cover is intended to be a tight fit to prevent unauthorised access to fittings.
7. Hang curtain on track.
8. Check curtain operation and add silicone spray if required.



ALL BRACKETS

Discs should be horizontal and centre of gravity of load should be directly beneath center-line discs. Test completed installation. The downward force needed to part the brackets should never be more than 400N [40kg static load] at any point.

WARNING

The magnetic element of the Kestrel bracket is **POWERFUL**. Handle with care. If allowed to attach to a flat steel surface it may be difficult to remove. **DO NOT PLACE NEAR SENSITIVE ELECTRONIC EQUIPMENT.**

ABOUT HIPAC

We are an Australian healthcare company that guarantees to stand behind all our medical products, both manufactured and imported, because we're here for the life of our products and clients.

PO Box 797, 36 Long St. Goulburn NSW 2580, Australia
P. +61 2 4823 0000 E. info@hipac.com.au

SYDNEY | MELBOURNE | BRISBANE | ADELAIDE | PERTH

hipac.com.au

ABN 27 600 353 688