



Fig 1.

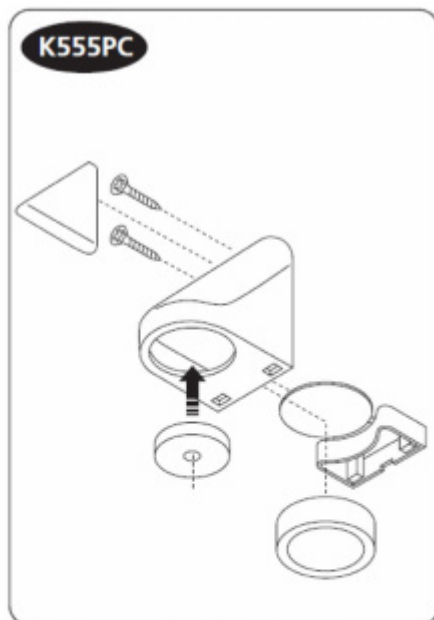


Fig 2.

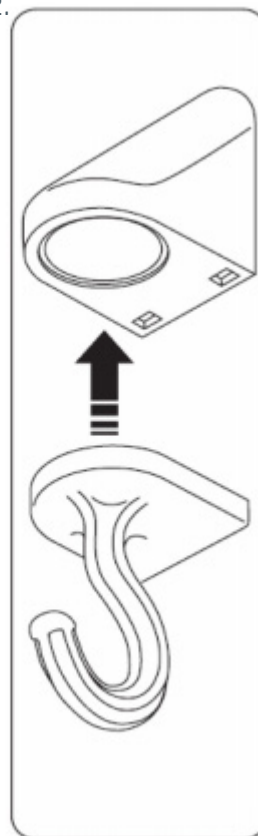


Fig 2.



### Fitting Instructions

1. Fix as shown in fig 1. To fix the face fix brackets, suitable fixing screws/plugs as per shown must be used. It is important that the bracket is securely fixed to the substrate using two fixing screws and care must be taken to ensure that no ligature points are left once installation has been completed. If a degree of float is required in the magnet, the packing disc may be discarded.
2. Once bracket is fixed attach the hook to the bracket as per fig 2.

### All Brackets

Discs should be horizontal and centre of gravity of load should be directly beneath center-line of discs. Test completed installation. The downward force needed to part brackets should never be more than 400N [40kg static load] at any point.

### Warning

The magnetic element of the Kestrel bracket is POWERFUL. Handle with care. If allowed to attach to a flat steel surface it may be difficult to remove. DO NOT PLACE NEAR SENSITIVE ELECTRONIC EQUIPMENT.

### ABOUT HIPAC

We are an Australian healthcare company that guarantees to stand behind all our medical products, both manufactured and imported, because we're here for the life of our products and clients.

PO Box 797, 36 Long St. Goulburn NSW 2580, Australia  
P. +61 2 4823 0000 E. [info@hipac.com.au](mailto:info@hipac.com.au)

SYDNEY | MELBOURNE | BRISBANE | ADELAIDE | PERTH

[hipac.com.au](http://hipac.com.au)

ABN 27 600 353 688