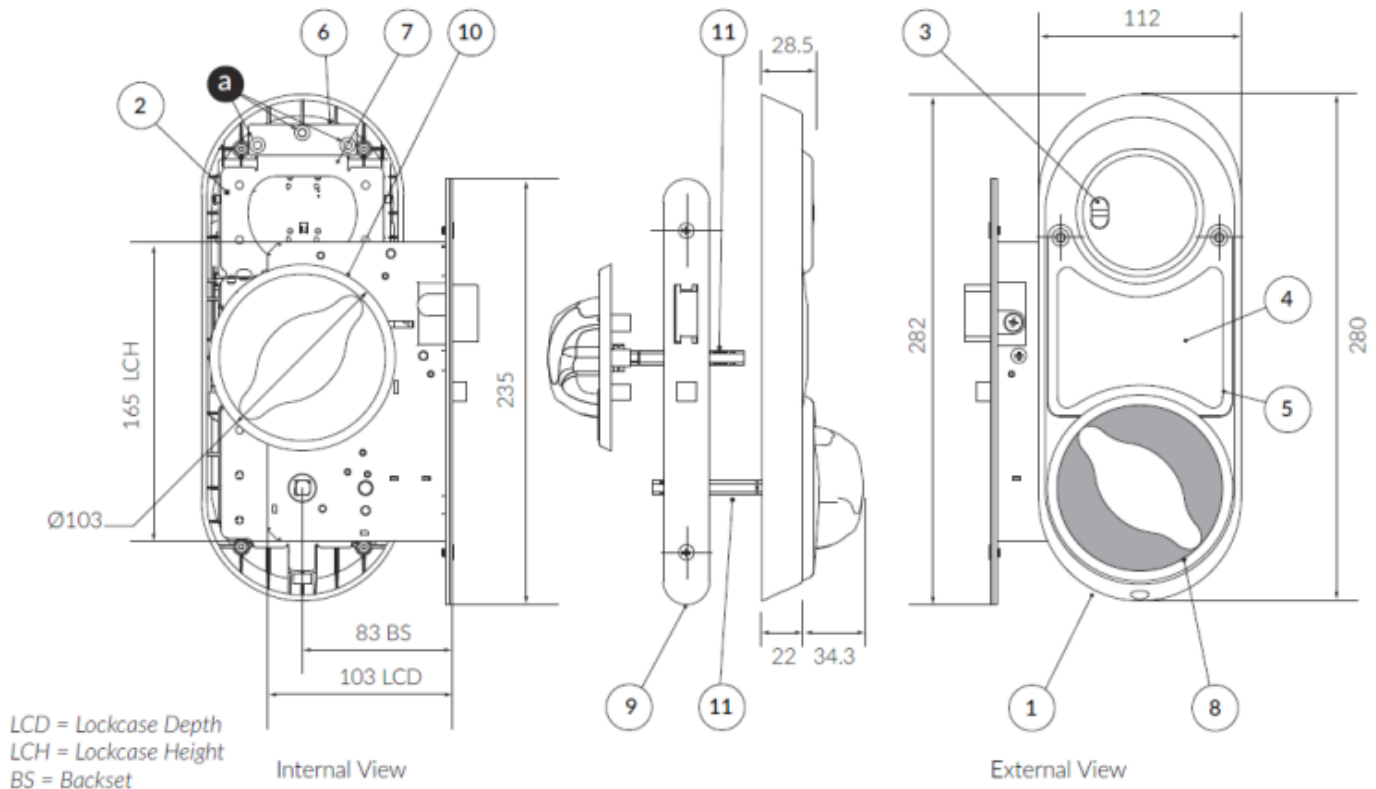




Passport Proximity Lockset Amadeo with 728 Handle

Datasheet

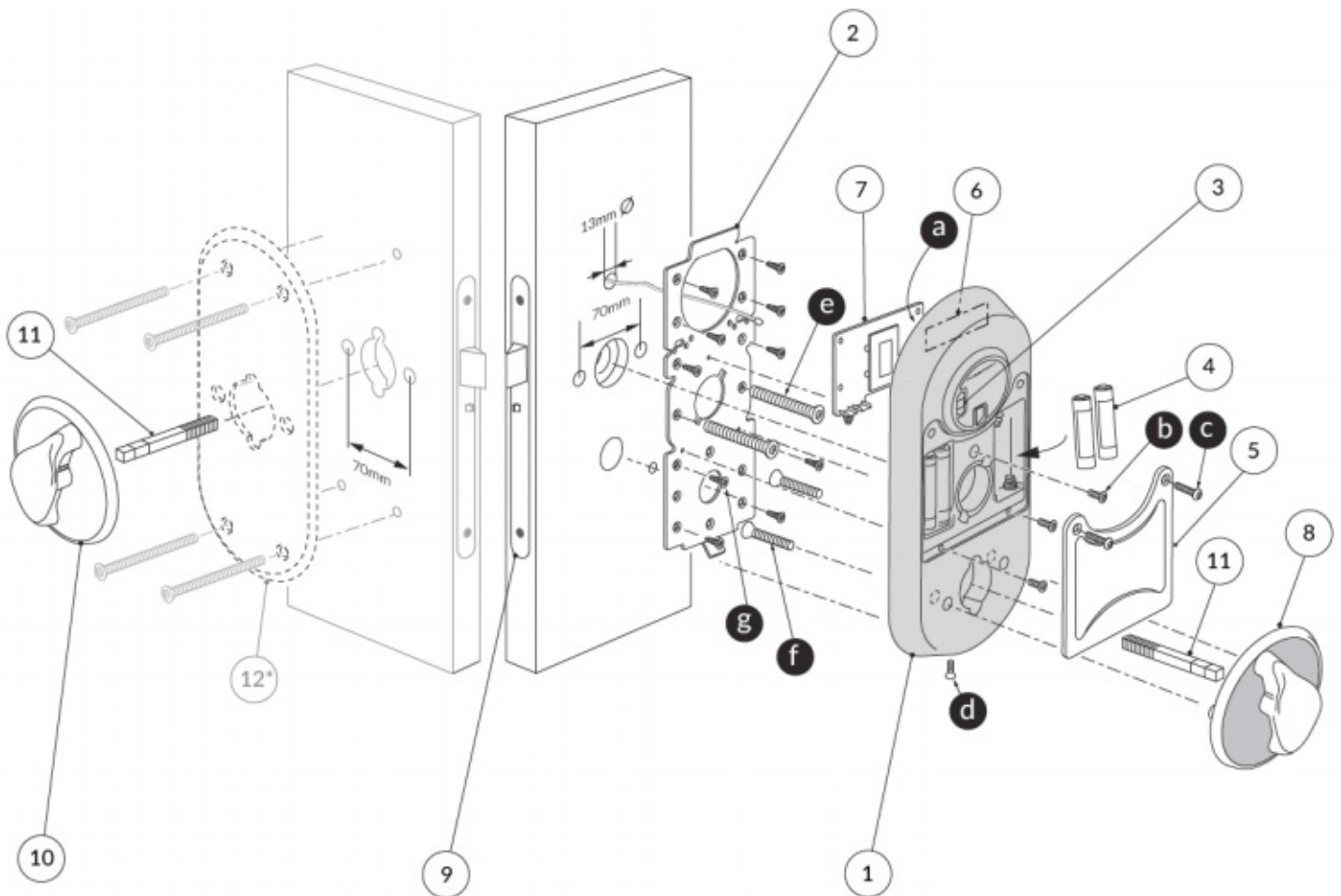
138080



PARTS LIST

ITEM	QTY	PART NUMBER	PRIMERA CODE	ITEM	QTY	PART NUMBER	PRIMERA CODE
1	1	Patress	PR-B500832	7	1	PCB	NSP-001023
2	1	Passport Mounting Plate	PR-7-B500820	8	1	External Turn Pull with ABS Disk	PR-4-728TP-SPS
3	1	Light Guide	PR-7-B500831	9	1	Auto Locking Night Latch (Solenoid)	PR-6108ALNL-SB
4	4	AA Battery	PR-7-B500267	10	1	Internal Turn Pull	PR-4-728TP-SSS
5	1	I Plate	PR-7-B500833	11	1	Universal Spindle B200704	PR-6704-SPIN-UNI
6	1	Passport Mount Fixing Plate	PR-7-B500821				

Additional fixing details see illustration page 2 and page 3, for size and quantities



Internal Side

External Side

12" Internal Repair Plate SSS PR-5-B500835
For retro fit applications only (not included in standard Kit)

Fixings see page 3 for size and quantities.



Passport Proximity Lockset Amadeo with 728 Handle

Datasheet

Material

Patress: ABS [Acrylonitrile butadiene styrene] graphite finish [Other colours available]

External Turn/Pull: Die-cast Mazak 5 Dish & handle. lectro-plated SSS finish.

ABS Disk [Acrylonitrile butadiene styrene]

Internal Turn/Pull: Die-cast Mazac 5 Dish & handle. Electro-plated SSS finish. Steel Disk.

Fixings

6 lobe pin-torx anti-tamper stainless steel security screws and pozi c/s screws as follows:

- ▶ 3 M4x6mm 6 lobe pin-torx c/s mach. screw
- ▶ 3 M4x10mm 6 lobe pin-torx c/s mach screw
- ▶ 2 M4x10mm 6 lobe pin-torx c/s button hd. screw
- ▶ 1 M4x12mm 6 lobe pin-torx button hd. mach. screw
- ▶ 2 M5x65mm 6 lobe pin-torx c/s mach. screw Universal TP Fix zp
- ▶ 2 M5x12mm 6 lobe pin-torx c/s mach. screw
- ▶ 14 6x5/8 pozi c/s steel zp

Maintenance

Lubrication: RS High Performance Dry Lubricant Primera Code B700241. [Not the Cylinder].

Cleaning: Proprietary baby oil and soft cloth.

Standards

ITEM	PART NUMBER	PRIMERA CODE	DHF T001:2013
1	PATRESS	PR-7-B500832	PASSED A4
8	EXTERNAL TURN/ PULL	L PR-4-728TP-SPS	PASSED A4
12	INTERNAL TURN PULL	PR-4-728TP-SSS	PASSED A4

Certifications

CE: Lockcase:	BS/EN 12209:2013	[British Standards Institute]
Fire Testing:	BS/EN 1634-1	[Exova Warrington Fire]

ABOUT HIPAC

We are an Australian healthcare company that guarantees to stand behind all our medical products, both manufactured and imported, because we're here for the life of our products and clients.

PO Box 797, 36 Long St. Goulburn NSW 2580, Australia
P. +61 2 4823 0000 E. info@hipac.com.au

SYDNEY | MELBOURNE | BRISBANE | ADELAIDE | PERTH

hipac.com.au

ABN 27 600 353 688