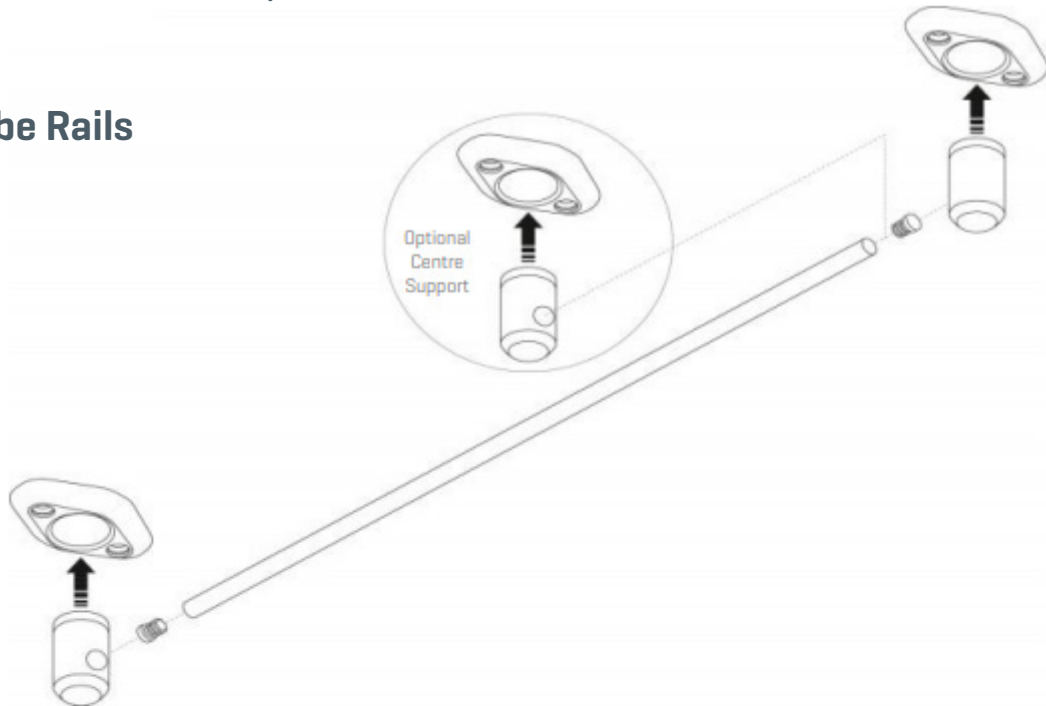


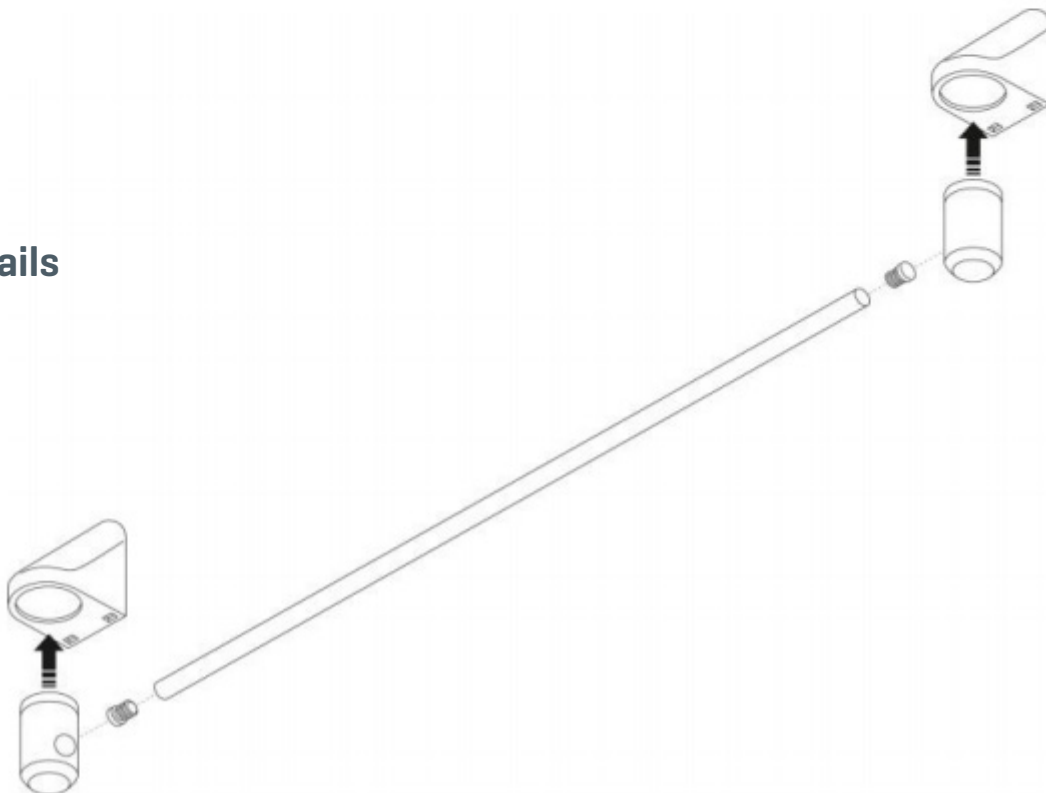


## Rail Sets - Wardrobe / Towel Rails

### Wardrobe Rails



### Towel Rails



N.B. Polycarbonate rails do not have end plugs in rail

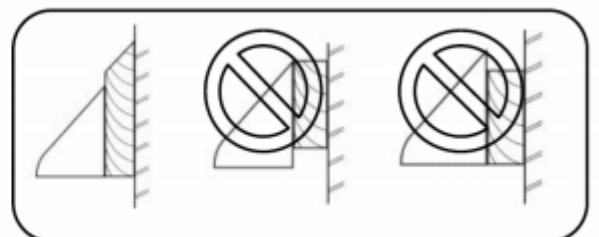
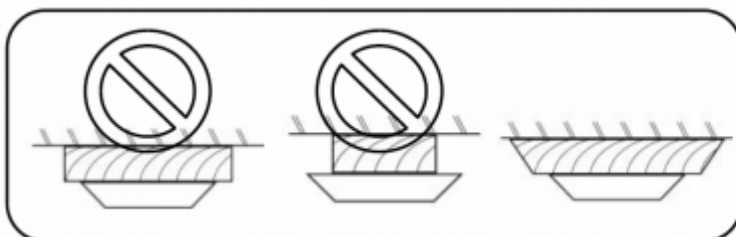
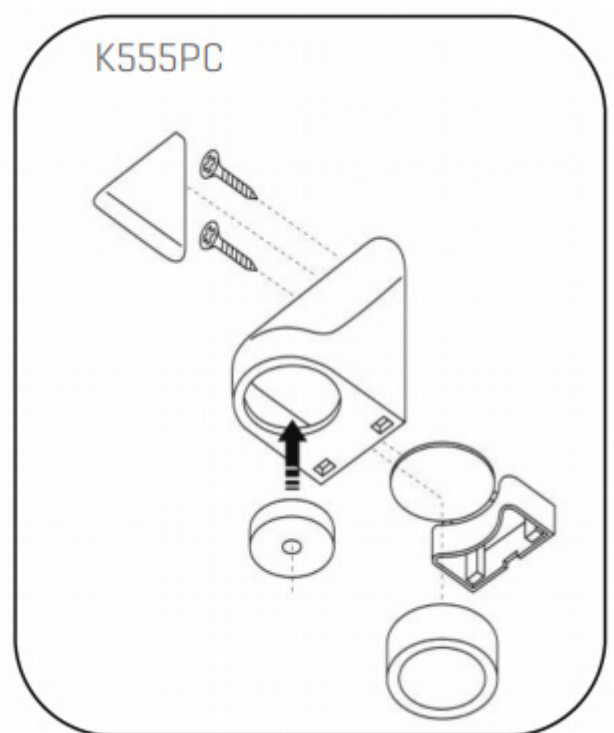
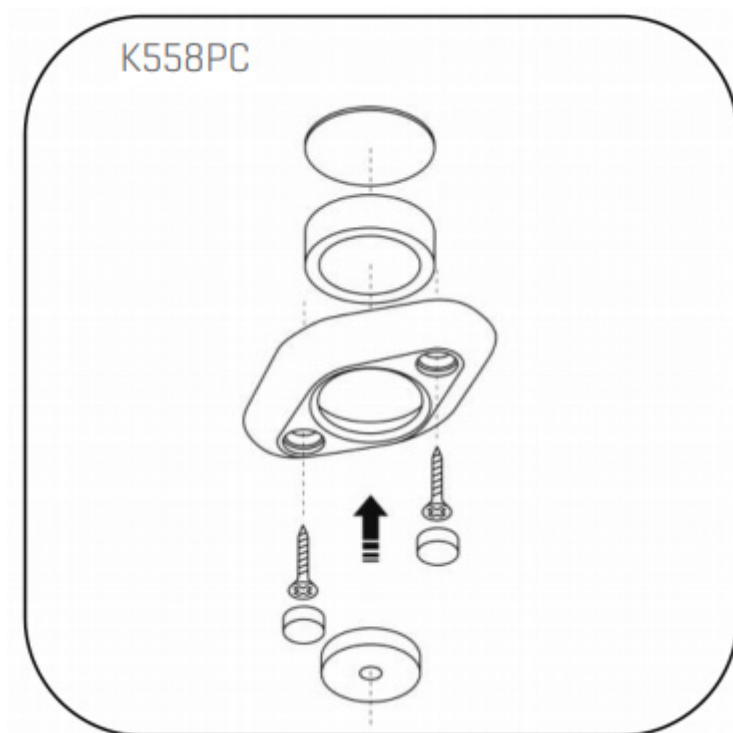


## Kestrel Towel /Wardrobe Rail Fitting Instructions

### Installation Guide

#### Fitting Instructions

1. Remove all items from packaging.
2. Using the rail provided, fix brackets in correct position, whether it be face fix or top fix.
3. If rail has to be cut, please ensure this is done prior to fitting brackets and fix end plugs if they have been supplied.
4. The brackets, whether they be top or face fixed to cupboard or wall, require suitable fixing screws/plugs as per shown below. Is it important that the bracket is securely fixed to the substrate using TWO fixing screws and care must be taken to ensure that no ligature points are left once installation has been completed. If a degree of float is required in the magnet, the packing disc may be discarded. If centre support is provided please use.



5. Try rail in position.
6. Once rail is fitted and bracket positioning has been confirmed by testing, the push-in screw cover **MUST** be fitted ensuring that it is flush with the bracket body. The push-in screw cover is intended to be a tight fit to prevent unauthorised access to fittings.



## Kestrel Towel /Wardrobe Rail Fitting Instructions

### Installation Guide

#### All Brackets

Discs should be horizontal and centre of gravity of load should be directly beneath center-line of discs. Test completed installation. The downward force needed to part the brackets should never be more than 400N [40kg static load] at any point.

#### Warning

The magnetic element of the Kestrel bracket is POWERFUL. Handle with care. If allowed to attach to a flat steel surface it may be difficult to remove.

DO NOT PLACE NEAR SENSITIVE ELECTRONIC EQUIPMENT.

#### ABOUT HIPAC

We are an Australian healthcare company that guarantees to stand behind all our medical products, both manufactured and imported, because we're here for the life of our products and clients.

PO Box 797, 36 Long St. Goulburn NSW 2580, Australia  
P. +61 2 4823 0000 E. [info@hipac.com.au](mailto:info@hipac.com.au)

SYDNEY | MELBOURNE | BRISBANE | ADELAIDE | PERTH

[hipac.com.au](http://hipac.com.au)

ABN 27 600 353 688