

Construction:

Soap dish: 20 gauge type 304 Stainless Steel, one piece seamless formed shell.

Soap Lip: 22 gauge type 304 Stainless Steel spot weld to shell.

Rear Mount Assembly: [2] 1/4" Tee nuts welded to 8 gauge 304 Stainless Steel plate that is spot welded to the back of the shell.

All exposed surfaces are #4 finish.

NOTE: Wall studs, washers and nuts are not included

Installation:

Access behind the wall is required.

Rough wall opening: 6" [152.4mm] wide x 4" [101.6mm] high x 2 3/4" [69.85mm] depth.

Cut wall studs long enough for the wall depth, thread engagement, washers and nuts.

Drill [2] 5/16" [7.94mm] holes for wall studs.

Thread Studs into tee nuts

Insert unit with studs.

On back of wall secure with washers and nuts.

NOTE: Wall studs, washers and nuts are not included. Wall stud length TBD based on wall depth.

Guide Specification:

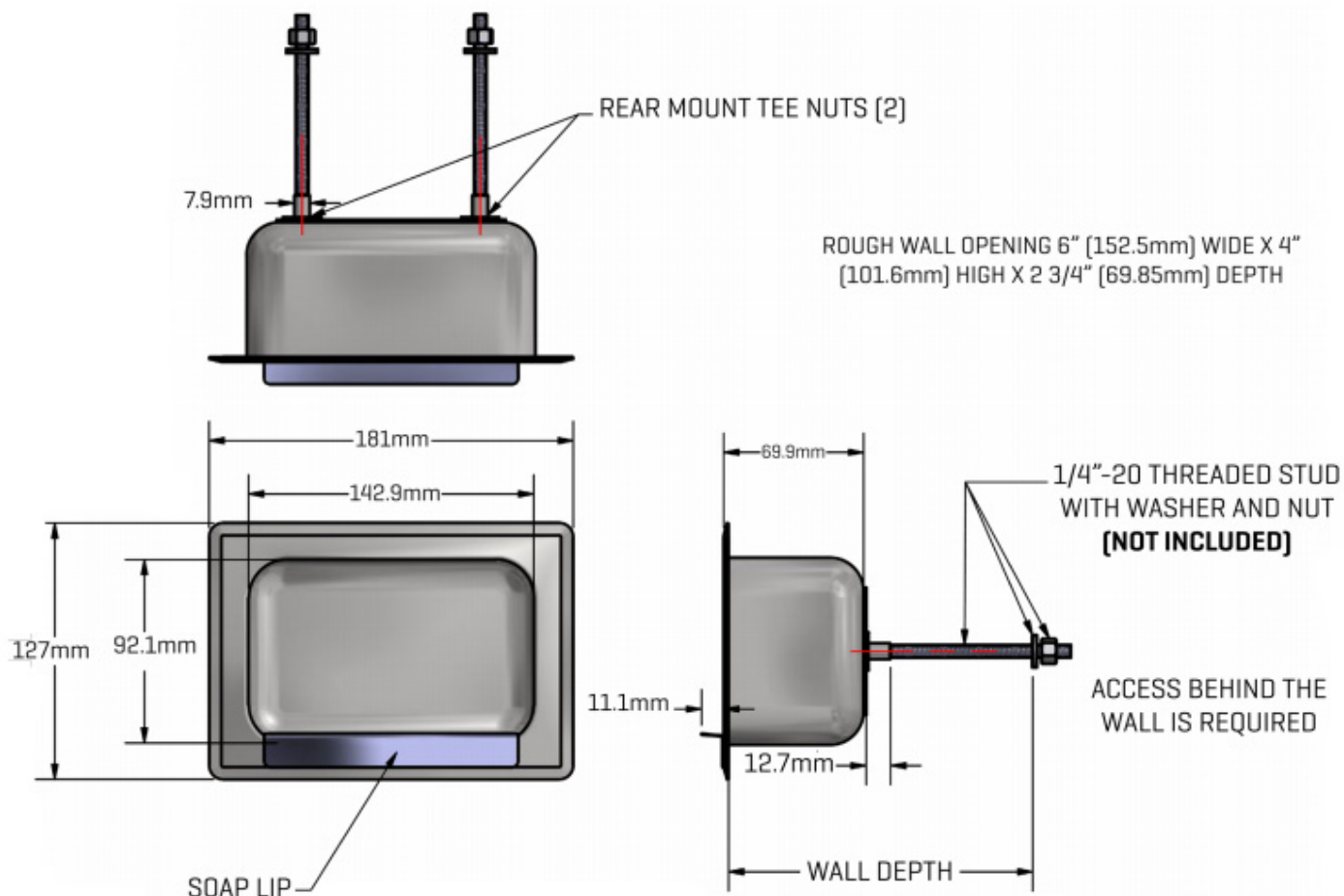
Rear mount recess Heavy Duty Soap Dish.

Satin #4 finish.



Recessed Soap Dish - Rear Mount

Datasheet



ABOUT HIPAC

We are an Australian healthcare company that guarantees to stand behind all our medical products, both manufactured and imported, because we're here for the life of our products and clients.

PO Box 797, 36 Long St. Goulburn NSW 2580, Australia
P. +61 2 4823 0000 E. info@hipac.com.au

SYDNEY | MELBOURNE | BRISBANE | ADELAIDE | PERTH

hipac.com.au

ABN 27 600 353 688