



## Single Swing Full Length Anti-Ligature Geared Securahinge

### Datasheet

### Product Description

Single swing continuous geared anti-ligature Securahinge features anti-ligature tip designed for single acting doors.

The Securahinge can be used on new and existing doors and is designed to prolong the lifespan of the door set and reduce maintenance costs.



### Testing

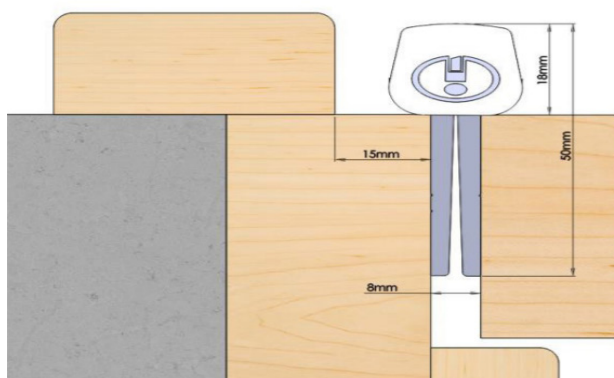
- Fire tested to BS476: Part 20 and 22 for 30 and 60 minutes.
- Performance Tested for 1.5 million cycles; exceeds life cycle requirements of CE EN 1935-2002.
- Grade 1 Abuse Tested to highest level
- Tested to DHF TS 001: 2013 B4 (0.5mm wire test)

Product Codes	Standard Duty up to 125kg	Heavy Duty up to 245kg	Extreme Duty up to 245kg, 43mm leaf
2100mm	111916	117090	116479
2400mm	113638	117091	117092

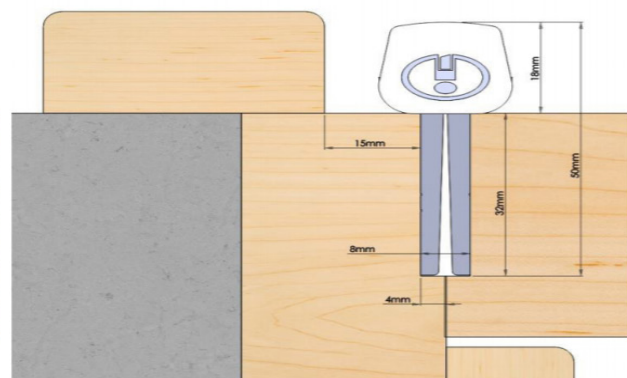
### Maintenance and Cleaning

The Securahinge operates by a number of interlocking gears that provide high strength and smooth motion. They require minimal maintenance, by following the procedures below on a quarterly basis the product will perform effectively.

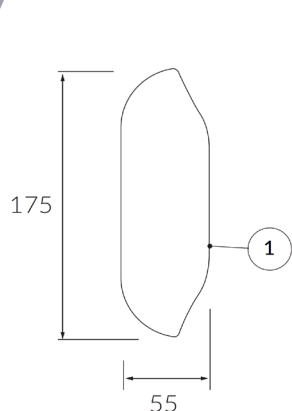
- Check the gears are free from dust and debris.
- Check the bearings are free from cracks.
- Check all fixings are present and tightened sufficiently.
- If dirty, wipe down with warm soapy water.
- Check for any sharp edges from impact damage and file smooth if necessary.



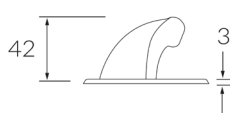
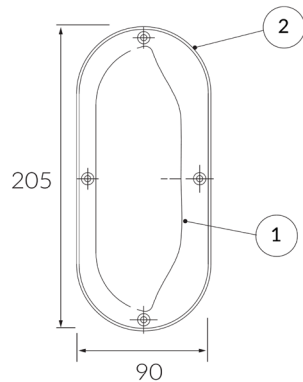
Non Rebated Layout



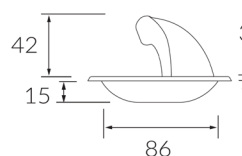
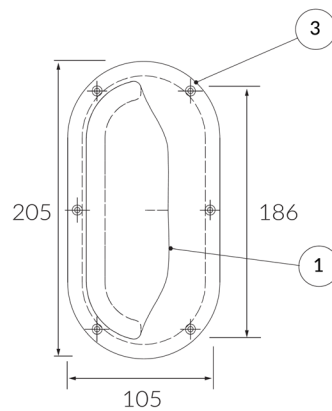
Rebated Layout



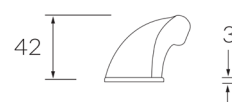
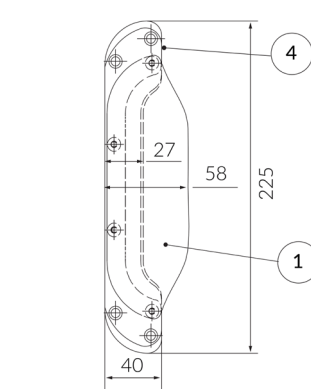
**116239** - 731 Grab Pull Handle Without Backplate



**116240** - 731 Grab Pull Handle on 90 x 205mm Backplate



**116241** - 731 Grab Pull Handle on Recessed Dish



**141313** - 731 Grab Pull Handle on Narrow Style Plate

**116242** - 731 Grab Pull Handles on Back to Back Plates c/w fixings [pair]

**116243** - 731 Grab Pull Handle on Radius Plate Back to Back with Push Plate

- Material:** **Handle:** Die-cast Mazak 5 handle. Electro-plated SSS Finish.  
**Flat Backplate:** 3mm Chamfered Mild Steel. Electro-plated SSS Finish.  
**Recessed Dish:** Die-Cast Mazac 5 handle. Electro-plated SSS Finish
- Fixings:** 6 lobe pin-torx anti-tamper stainless steel security screws.
- Cleaning:** Proprietary baby oil and soft cloth.

#### ABOUT HIPAC

We are an Australian healthcare company that guarantees to stand behind all our medical products, both manufactured and imported, because we're here for the life of our products and clients.

PO Box 797, 36 Long St. Goulburn NSW 2580, Australia  
P. +61 2 4823 0000 E. info@hipac.com.au

SYDNEY | MELBOURNE | BRISBANE | ADELAIDE | PERTH

[hipac.com.au](http://hipac.com.au)

ABN 27 600 353 688