

Construction:

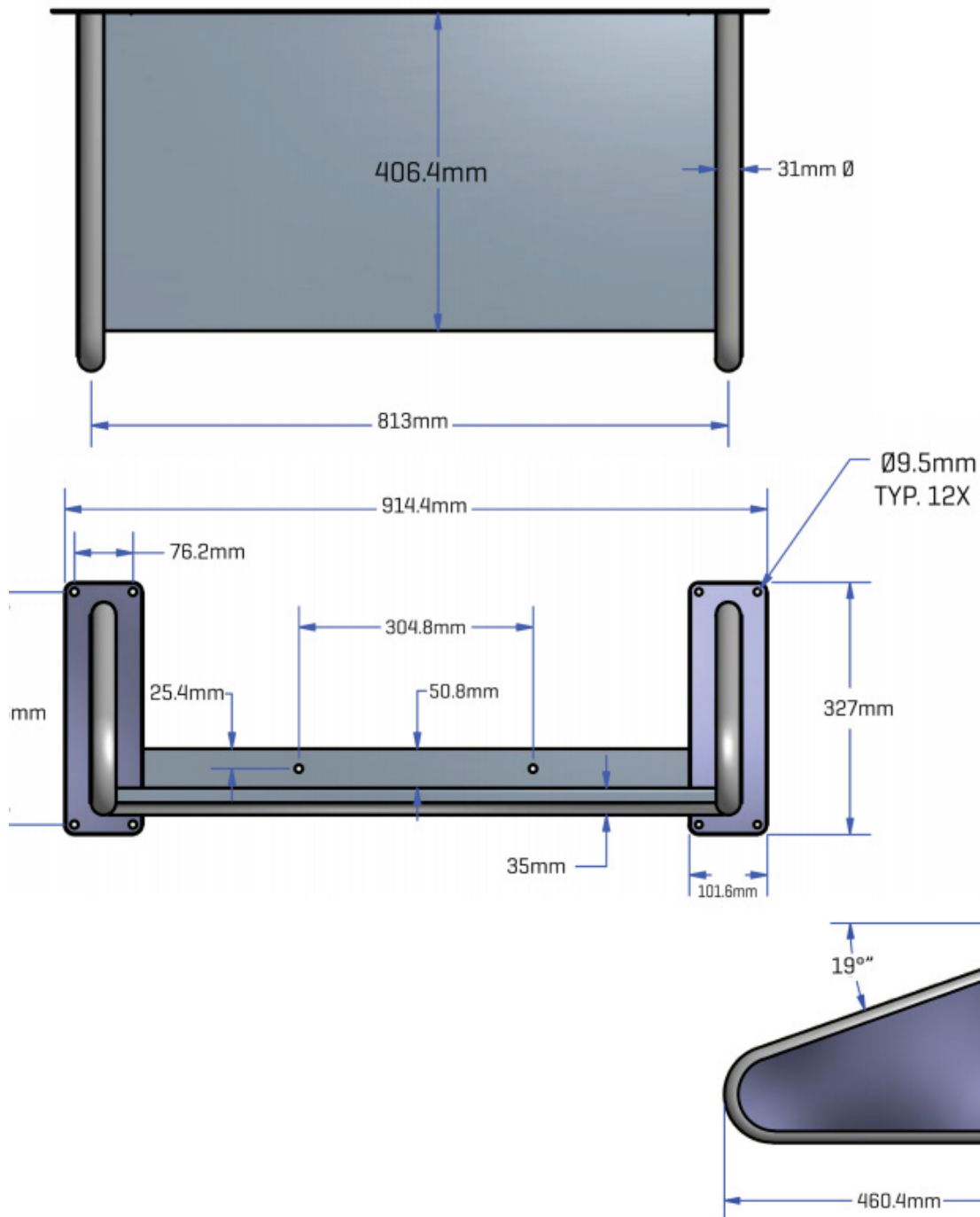
- 1 1/4"Ø x 0.49W Stainless Steel Tube
- 11 gauge Stainless Steel seat top welded to frame to complete a single form structure.
- 11 gauge stainless steel wall plates
- [12] 3/8" [9.5mm] Ø Mounting holes.
- Satin #4 finish

Installation:

- Use seat as template for locating all [12] mounting holes.
- Mount seat 18" above finished floor.
- CONFORMITY AND COMPLIANCE TO LOCAL AND NATIONAL CODES IS THE RESPONSIBILITY OF THE INSTALLER. SHELF IS ONLY AS STRONG AS THE ANCHORING DEVICES AND THE WALL ON WHICH IT IS MOUNTED TO. ADEQUATE IN-WALL BACKING MAY BE REQUIRED.
- SPECIFICALLY ENGINEERED TAMPER RESISTANT SECURITY SEALANT MUST BE USED ON ALL WALL GAPS

Guide Specification:

- 16" x 32" exposed wall mount seat.
- Anti-Ligature
- 500 lbs [226.8kg] Load Test
- Type 304 Stainless Steel
- Seat weight is 36 lbs [16.3kg]



ABOUT HIPAC

We are an Australian healthcare company that guarantees to stand behind all our medical products, both manufactured and imported, because we're here for the life of our products and clients.

PO Box 797, 36 Long St. Goulburn NSW 2580, Australia
P. +61 2 4823 0000 E. info@hipac.com.au

SYDNEY | MELBOURNE | BRISBANE | ADELAIDE | PERTH

hipac.com.au

ABN 27 600 353 688