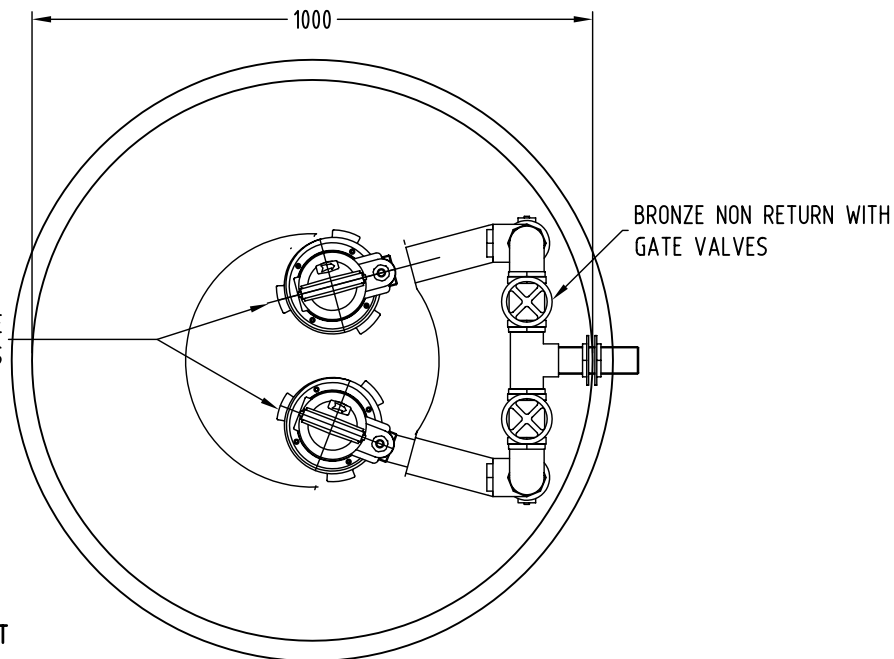




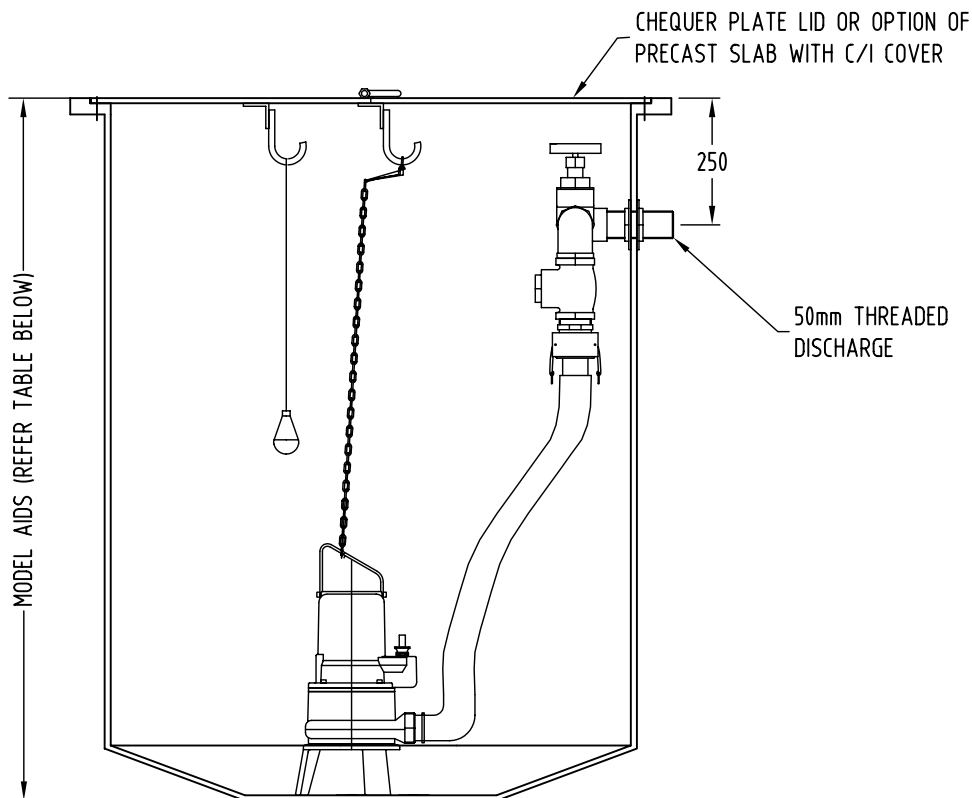
Australian Industrial
PUMP SYSTEMS

GRC PACKAGE SUMP WITH LIGHT DUTY LID

1000mm INTERNAL DIAMETER



NOTE:
ELECTRICAL CONTROL
PANEL AS WALL
MOUNTED OR ON POST
NEXT TO TANK



MODEL #	NOM. DEPTH	NOM. MAX. CAPACITY	APPROX. WEIGHT
TANK WITH CHEQUER PLATE LID			
AIPS 1.3	1300mm	990l	170KG
AIPS 1.6	1600mm	1225l	210KG
AIPS 1.9	1900mm	1460l	230KG
AIPS 2.2	2200mm	1695l	250KG
AIPS 2.5	2500mm	1930l	270KG

INSTALLATION NOTES

INSTALL TANK TO INDUSTRY ACCEPTED STANDARDS - AS A MINIMUM

1. MECHANICAL COMPACTED SAND BASE
2. BED TANK INTO LEANMIX CONCRETE BASE AS REQ.
3. BACKFILL WITH QUARRY SAND OR LEANMIX CONCRETE

THESE NOTES ARE A GUIDE ONLY NO RESPONSIBILITY IS TAKEN FOR INSTALLATION

AIPS GRC 1000 L/D