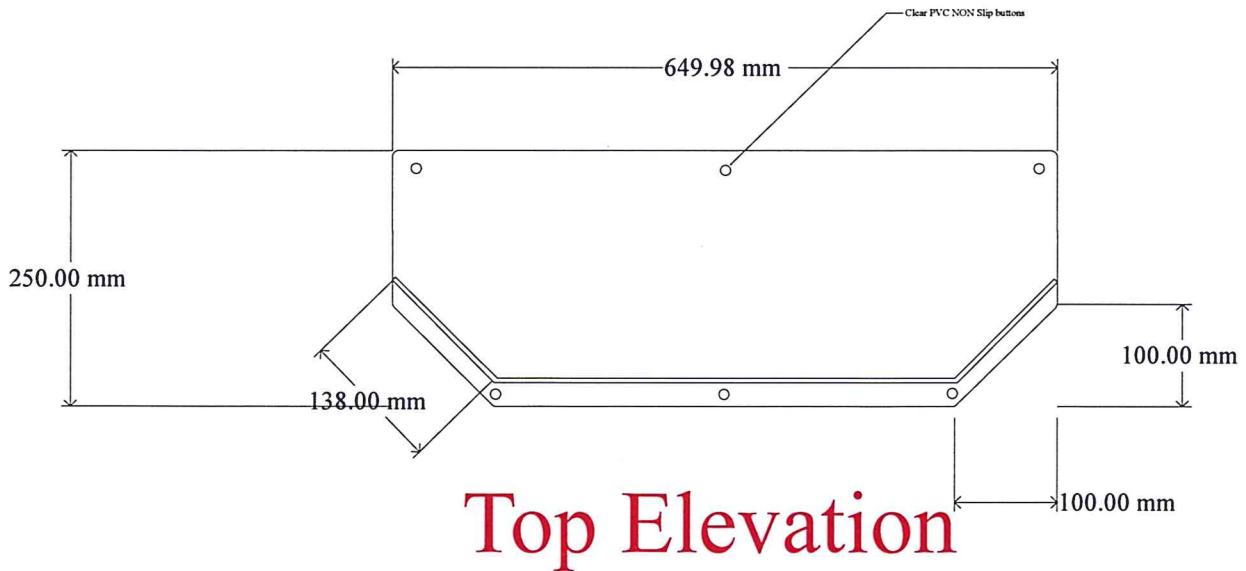
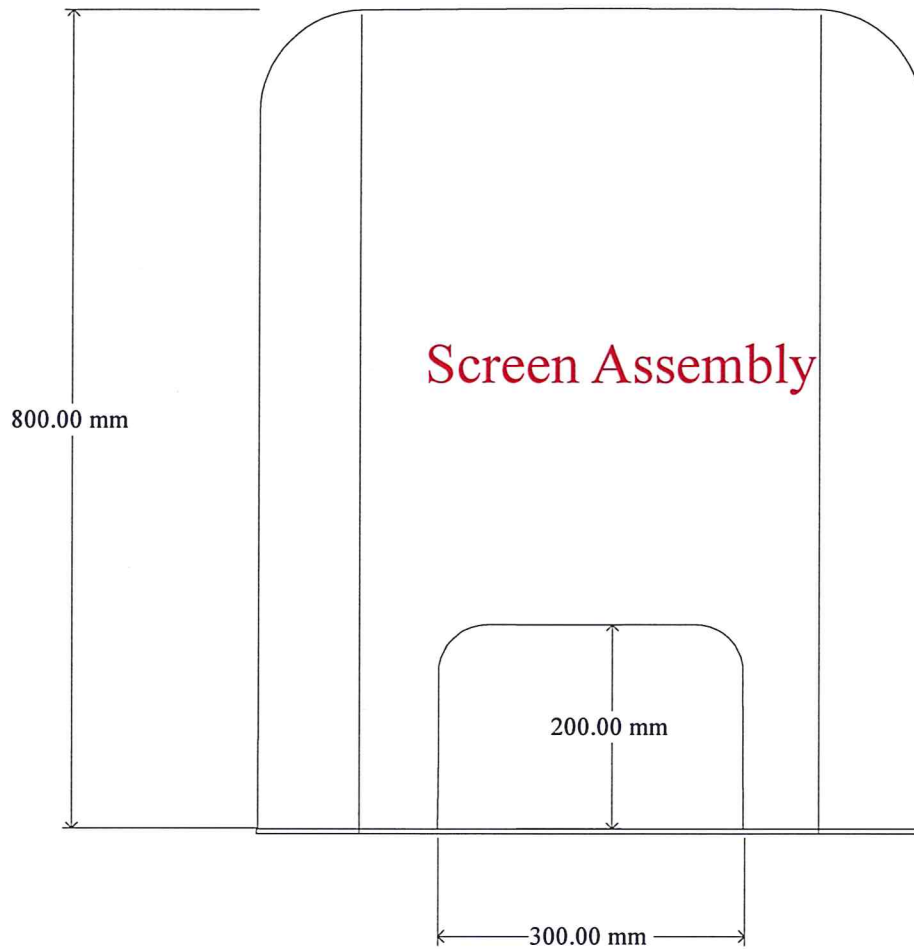


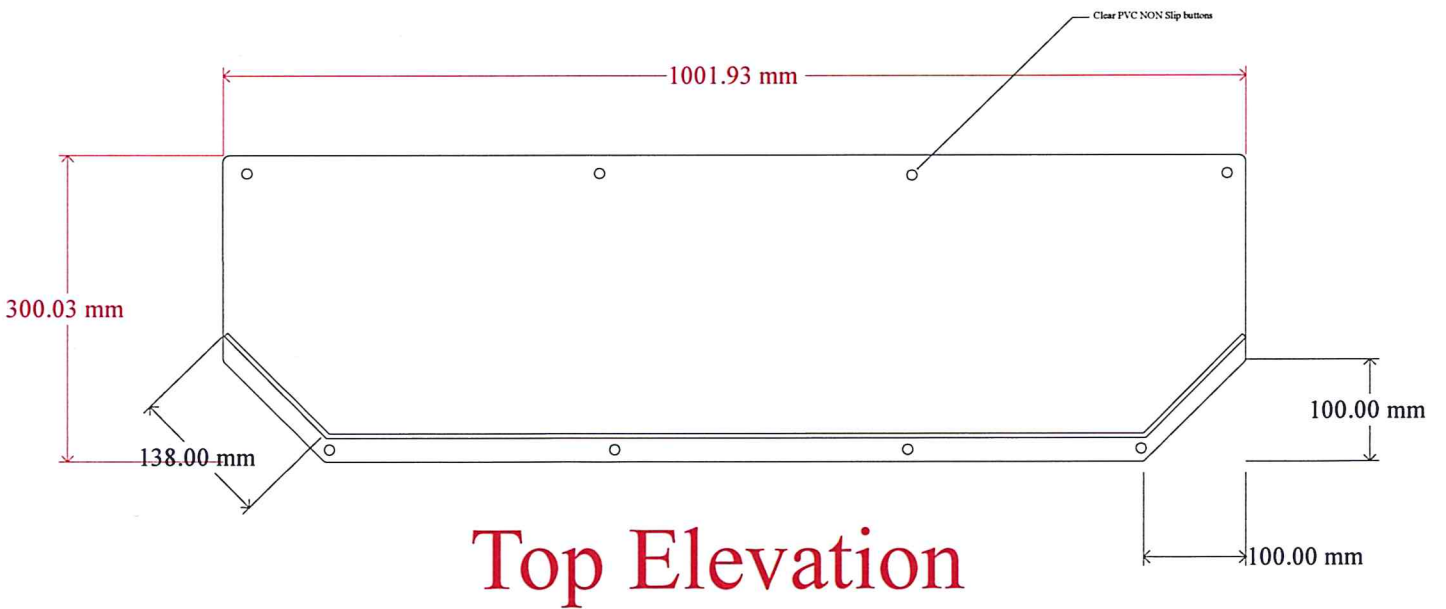
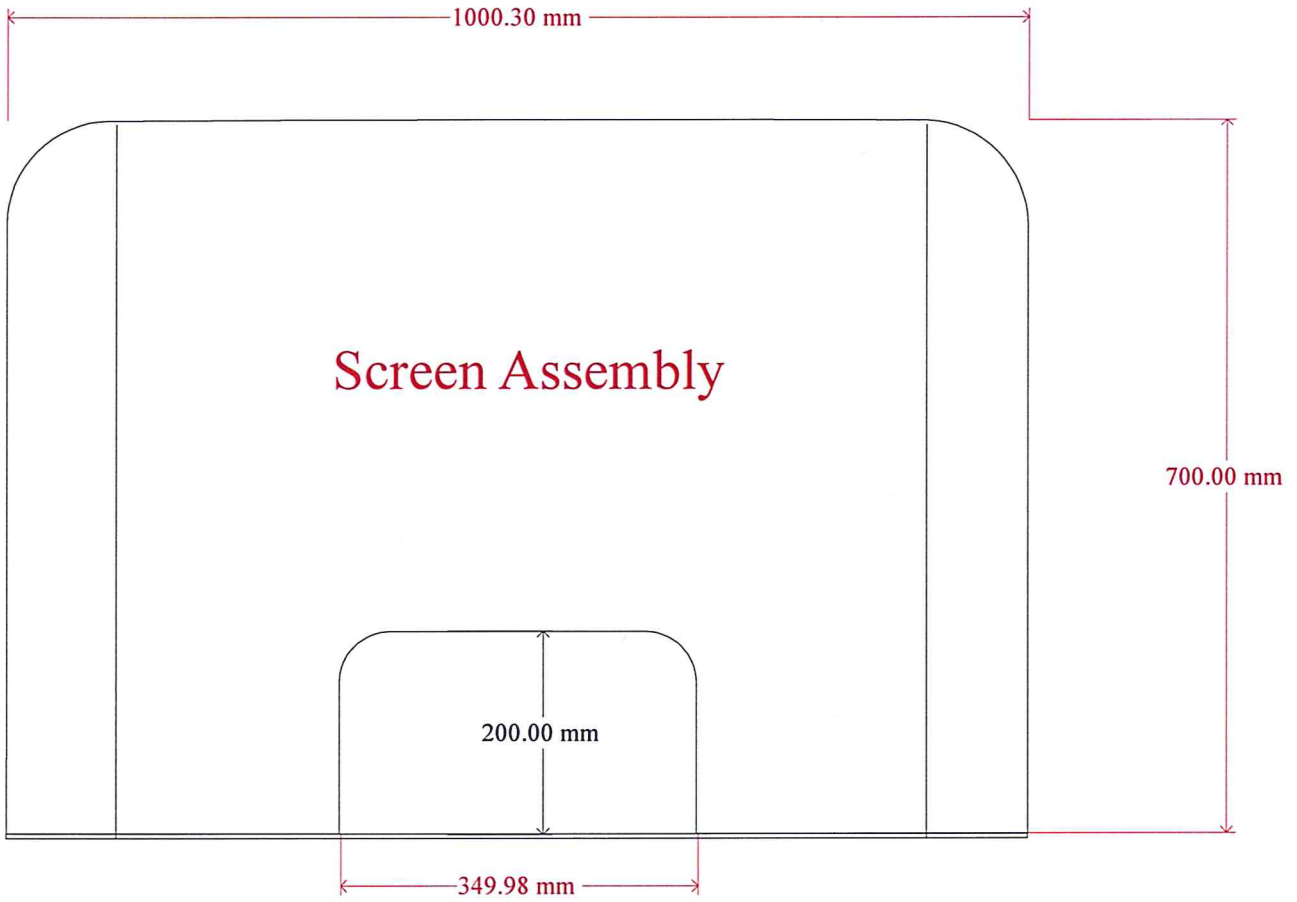
SIZE 1.

File: Documents / Counter Shield
Material: 4.5mm clear acrylic



SIZE 2.

File: Documents / Counter Shield
Material: 4.5mm clear acrylic



SIZE 3.

DESIGN YOUR OWN SNEEZE GUARD

Place your dimensions into the Following boxes.....

BASE SIZE:

1. Depth MM

2 Width MM

HOLE SIZE:

3. Height MM

4. Width MM

HEIGHT OF GUARD:

5. Overall Height MM

MATERIAL THICKNESS...Tick Box.....

3mm 4.5mm 6mm 8mm CLEAR

MATERIAL TYPE:...tick Box....

- PERSPEX
 LEXAN Polycarbonate
 Plexiglass

SUBMIT YOUR DRAWING.....

