



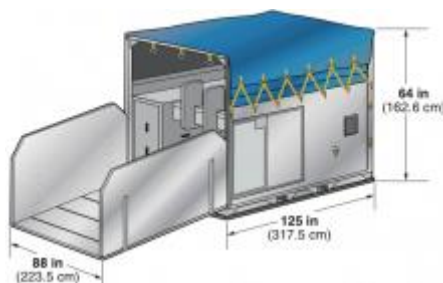
UNIT LOAD DEVICE

TYPES OF ULDS



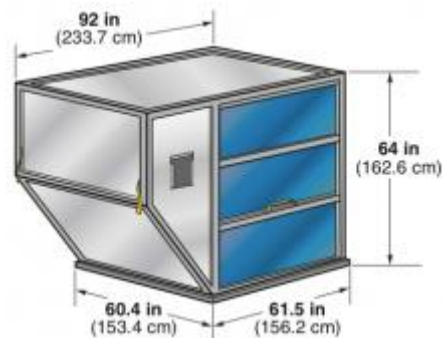
Demi

- **IATA ULD code:** AYY contoured container on half pallet base.



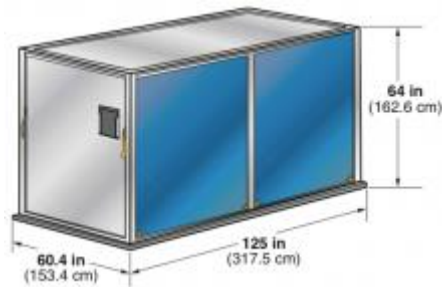
HMA stall

- **IATA ULD code:** HMA horse box on P6P pallet base



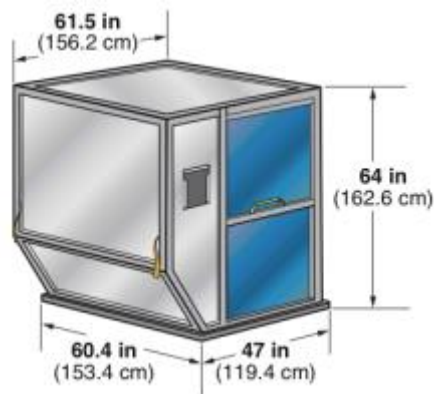
LD-1

- **IATA ULD code:** AKC contoured container
- **Prefixes:** AVC, AVD, AVK, AVJ, and forkable AVY



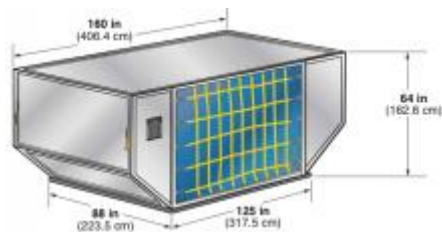
LD-11

- **IATA ULD code:** ALP rectangular container



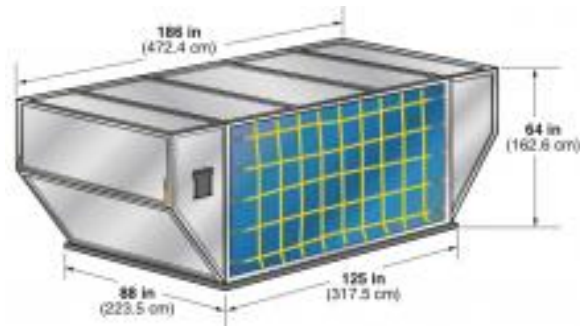
LD-2

- **IATA ULD code** DPE contoured container
- **Prefixes:** APA, DPA, and forkable DPN



LD-26

- **IATA ULD code:** AAF contoured container on P1P base



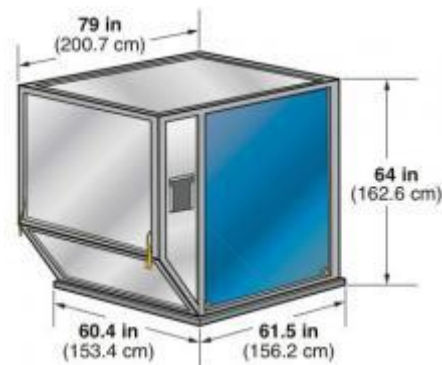
LD-29

- **IATA ULD code:** AAU contoured container on P1P base



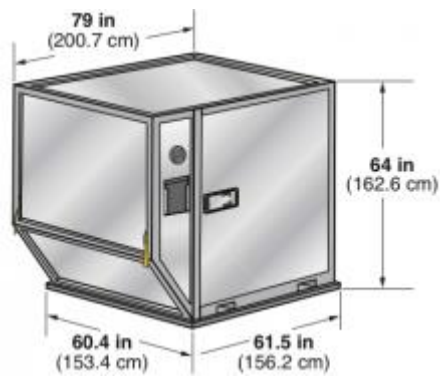
LD-29 Reefer

- **IATA ULD code:** RAU contoured cool container on P1P base.



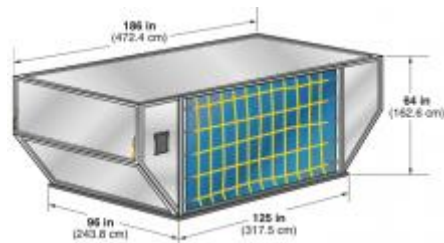
LD-3

- **IATA ULD code:** AKE contoured container
- **Prefixes:** AKE, AVA, AVB, AVC, AVK, DVA, DVE, DVP, XKS, XKG, and forkable AKN, AVN, DKN, DVN, and XKN



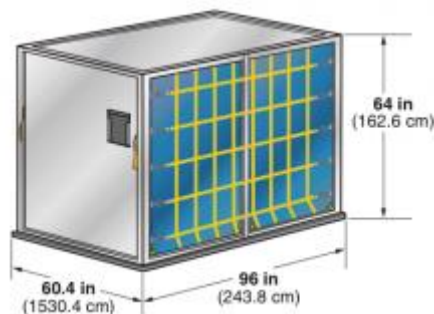
LD-3 Reefer

- **IATA ULD code:** RKN contoured cool container
- **Prefixes:** RVN



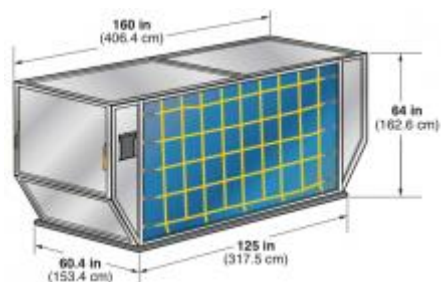
LD-39

- **IATA ULD code:** AMU contoured container on P6P base



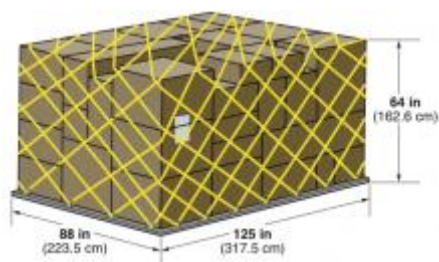
LD-4

- **IATA ULD code:** ALP rectangular container
- **Prefixes:** ALD, AWD, AWZ, DLP, and forkable ALB, ALC, AWB, and AWC



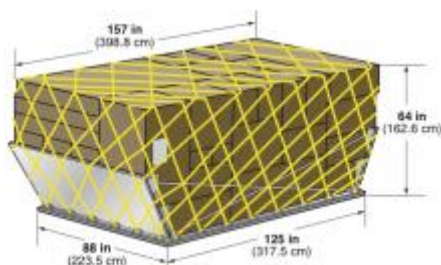
LD-6

- **IATA ULD code:** ALF contoured container
- **Prefixes:** AWA, AWF, and forkable AWC



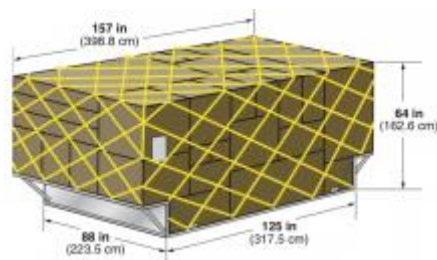
LD-7

- **IATA ULD code:** P1P flat pallet with net
- **Prefixes:** PAA, PAG, PAJ, PAP, PAX, P1A, P1C, P1D, and P1G



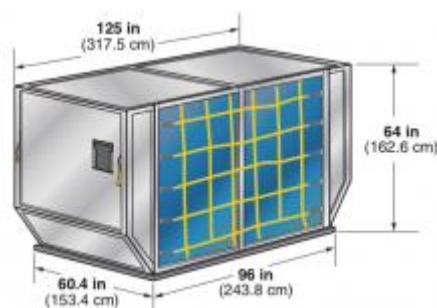
LD-7 with Angled Wings

- **IATA ULD code:** XAW P1P pallet with fixed-angle wings and net



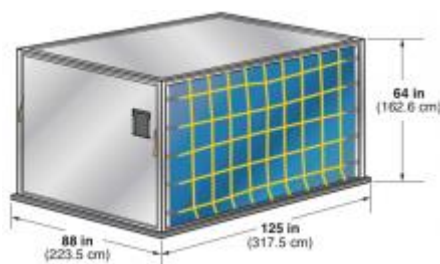
LD-7 with Folding Wings

- **IATA ULD code:** PAD P1P pallet with folding wings and net
- **Prefixes:** PAX and P1X



LD-8

- **IATA ULD code:** DQF
- **Prefixes:** LE, ALN, DLE, DLF, DQP, and MQP



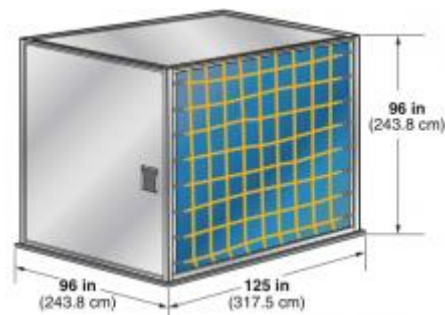
LD-9

- **IATA ULD code:** AAP enclosed pallet on P1P base



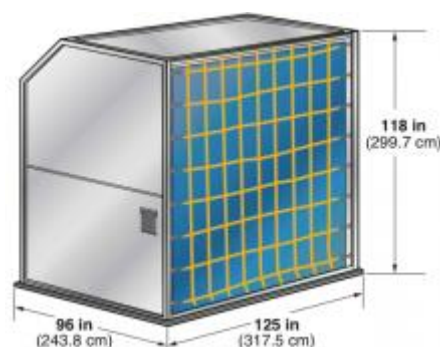
LD-9 Reefer

- **IATA ULD code:** RAP cool container on P1P base



M-1

- **IATA ULD code:** AMA rectangular container on P6P base
- **Prefixes:** AMF, AMG, AMK, AMP, AQA, AQD, and AQ6



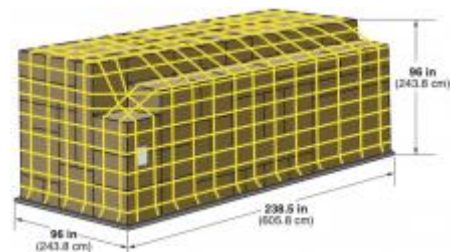
M-1H

- **IATA ULD code:** AMD contoured



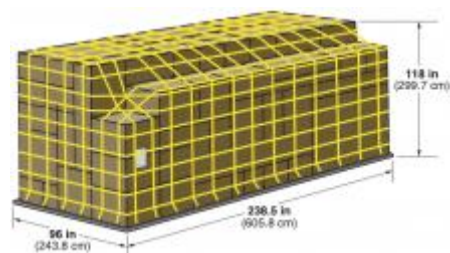
M-2

- **IATA ULD code:** AGA 20-ft box container
- **Prefixes:** ASE



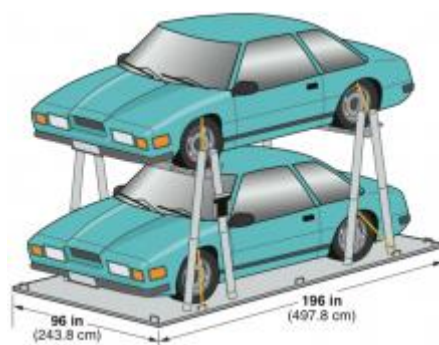
M-6

- **IATA ULD code:** PGA 20-ft flat pallet with net
- **Prefixes:** PGA, PGE, PGF, PSA, PSG, P7E, P7F, and P7G



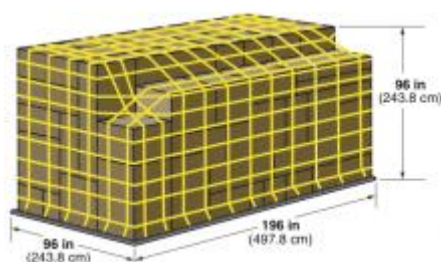
M-6 (118"H)

- **IATA ULD code:** PGA 10-ft high, 20-ft flat pallet with net
- **Prefixes:** PGA, PGE, PGF, PSA, PSG, P7A, P7E, P7F, and P7G



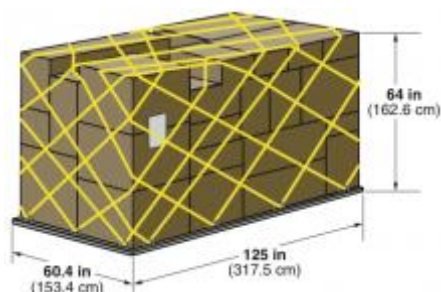
M-6 Twin Car Rack

- **IATA ULD code:** PRA 16-ft flat pallet with twin car racks as VRA
- **Prefixes:** PMA, P4A, P4M, and PZA



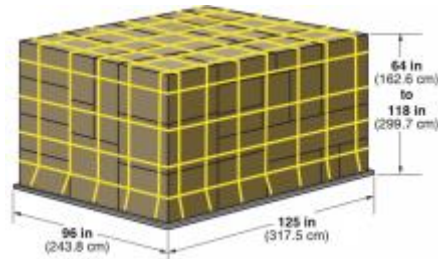
MDP

- **IATA ULD code:** PRA 16-ft pallet with net
- **Prefixes:** PMA, P4A, P4M, and PZA



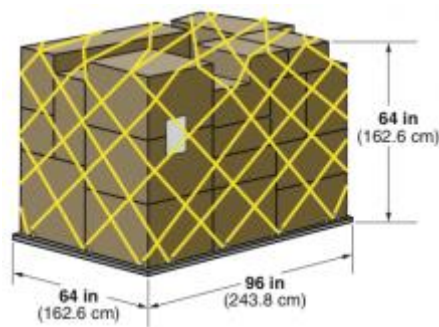
PLA Half Pallet

- **IATA ULD code:** PLA half pallet with net
- **Prefixes:** PLB, FLA, P9A, P9B, P9P, P9R, and P9S



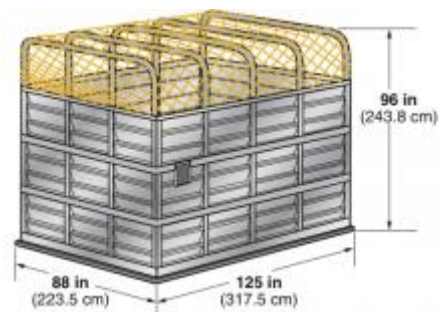
PMC/P6P Pallet

- **IATA ULD code:** P6P 10-ft flat pallet with net



PNA Half Pallet

- **IATA ULD code:** PNA 767 half pallet with net
- **Prefixes:** PQP, FQF, and PPC



Type A Pen

- **IATA ULD code:** KMA sheep and goat pens on P1P base with net