



Polymedic PTY LTD

Tel: 1800 426 856

Fax: 07 5597 1147

Email: sales@polymedic.com.au

Web: www.polymedic.com.au

Contact:	
Phone No:	
Email:	

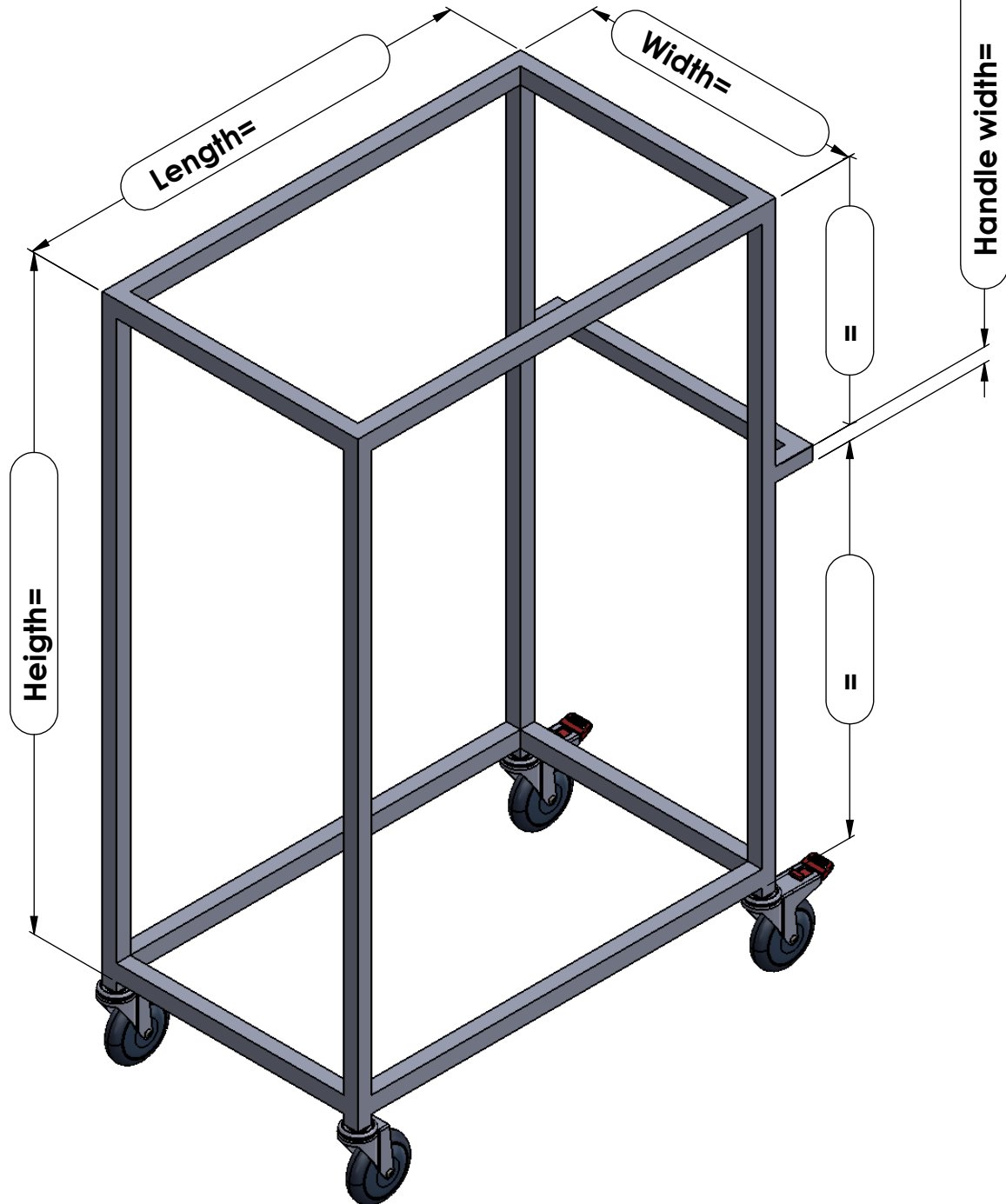
Required Information

Thermal:	
Protective:	
Handle / Qty:	
Zip Qty:	
Material Colour:	
Clear Window / Qty:	
Logo / Qty:	

Required Measurements

- Height (excluding castors)
- Overall Length
- Overall Width
- Top of Handle to Trolley top
- Handle width
- Bottom of handle to Trolley base

CUSTOMISED TROLLEY COVER QUOTE FORM



Please fill out allocated measurements on the drawing