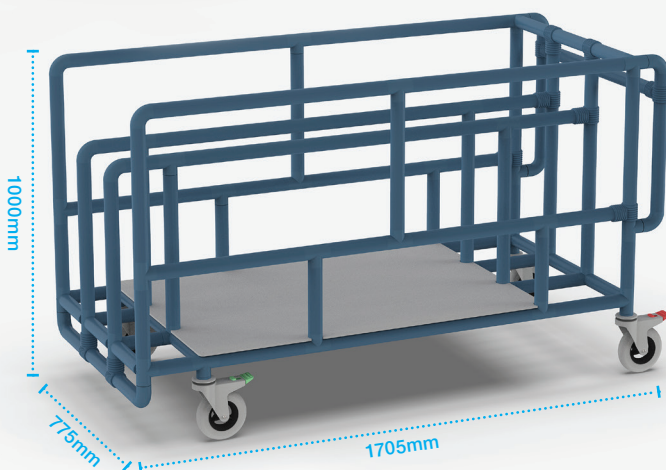


SAFE AND EASY MATTRESS MOVING



MATTRESS MOVER TROLLEY: IT905-BLS

Mattress are constantly being moved for cleaning and storage purposes. Developed in consultation with a major hospital, the Polymedic Mattress Mover Trolley has been designed to store and move mattresses on a durable, light weight frame trolley, allowing the mattresses to air out and be transported around safely and with ease.

PRODUCT FEATURES:

- Durable, light weight frame for easy use;
- Minimal lifting required for both placing and rotating of mattresses;
- A storage solution that keeps the mattress off the floor, and mobile;
- Four easy to manoeuvre 150mm castor wheels with braking system;
- Safe storage reduces damage to the mattress, increasing product longevity;
- Sizes can be organised and displayed for quick and easy identification;
- Product meets environmental cleaning and infection control standards;
- Aeration, temperature control and increased vapour transmission, promotes mattress foam recovery;
- Standard size: 1705(W) x 775(D) x 1000(H)mm, housing three mattresses;
- OH&S risks reduced;
- Manufactured in Australia.

The Polymedic design team can create products to suit your specific requirements. For more information, please call us on (07) 5539 3633 or email sales@polymedic.com.au.

Freecall: 1800 426 856 [www: polymedic.com.au](http://www.polymedic.com.au)