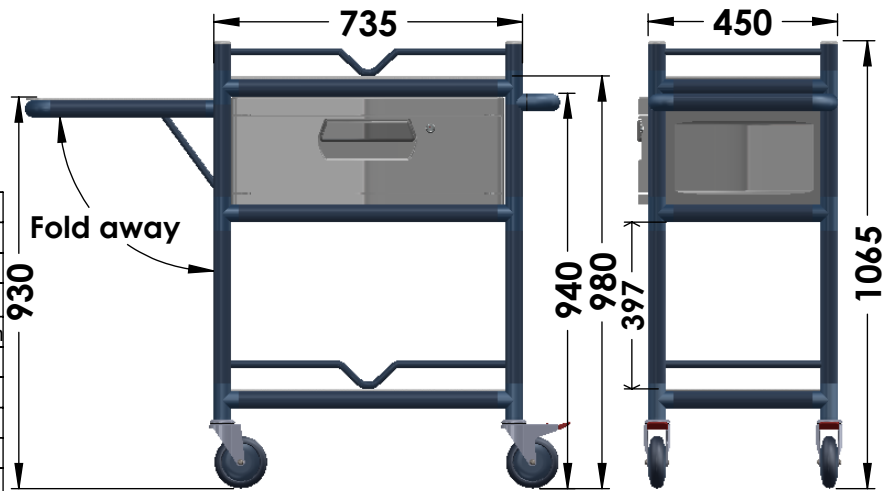
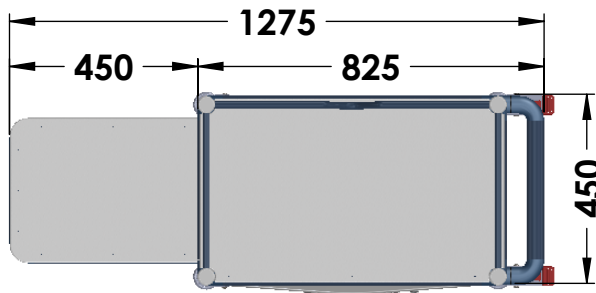
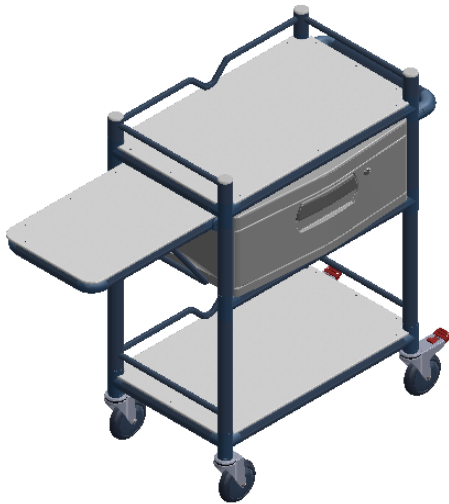


Product Data Sheet
Model No: T107FT



Specifications

Height	980mm
Length	825mm (Inc Handle)
Width	450mm
Table	Fold away
Lockable Drawer	1x175mmx530x400mm
Standard Castors	2 x Swivel 125mm
Braking Castors	2 x Swivel 125mm
Push Effort	1.5kg
Pull Effort	1kg
Weight	17kg
Warranty	3 Years

Code Bluestone: IT107FT-BLS

Code Beige: IT107FT

This trolley can be customised as follows:

- Waste Bin attached
- Height between shelves
- Number of shelves
- Guard rails, vertical or horizontal
- Handle configuration
- Castor sizes and configuration
- Design your own trolley

Polymedic are Australia's Premier trolleys manufacture with all products manufactured right here in Australia. All our products come with a 3 Year warranty on frame and castors.

Made from our own special formulated Composite plastic makes them lighter than metal Trolleys, they are easier to push, yet strong and reliable and while keeping with Occupational health and safety standards. All of Polymedic trolleys are designed and built with the end user in mind.

All Polymedic Trolleys can be Custom modified to suit your requirements. Polymedic use and recommend quality castors on all our products.



www.polymedic.com.au

sales@polymedic.com.au

Tel: 1800 426 856

Fax +61 (07) 393 633