

**Product Code:**

- Beige: IT402
- Bluestone: IT402-BLS



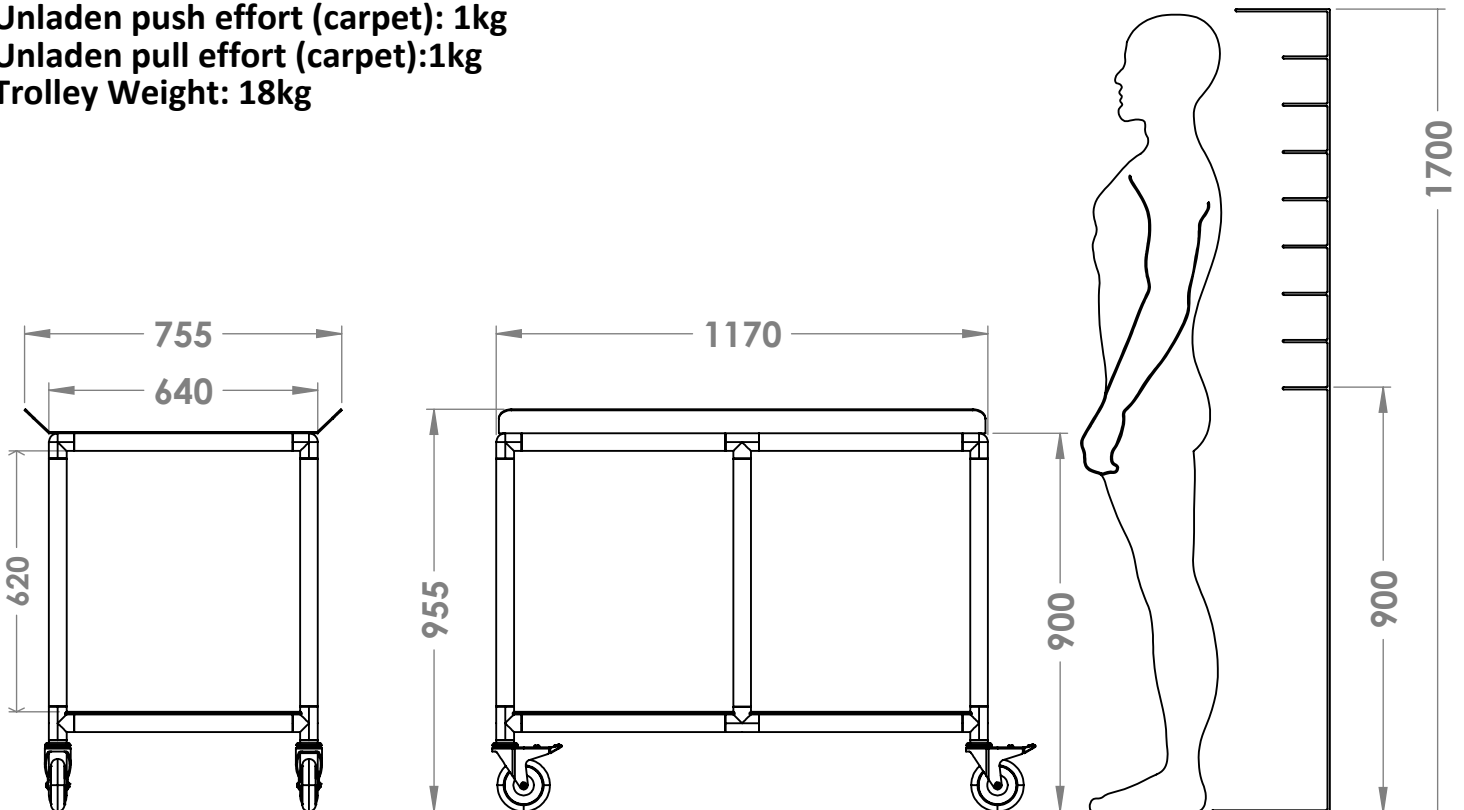
**Specifications:**

- 1 x Clothes folding table top
- 1 x 6mm Solid base shelf
- 2 x 125mm Braking Castors
- 2 x 125mm Non Braking Castors

Polymedic are Australia's Premier trolleys manufacture with all products manufactured right here in Australia. All our products comes with a 3 Year warranty on frame and castors. Made from our own special formulated Composite plastic makes them lighter than metal Trolleys, they are easier to push, yet strong and reliable and while keeping with Occupational health and safety standards all of Polymedic trolleys are designed and built with the end user in mind.

All Polymedic Trolleys can be Custom modified to suit your requirements. Polymedic Use and recommend quality Fallshaw castors on all our products

**Unladen push effort (carpet): 1kg**  
**Unladen pull effort (carpet): 1kg**  
**Trolley Weight: 18kg**



**This trolley can be customised as follows**

- Length width and height
- Height between shelves
- Number of shelves
- Guard rails, vertical or horizontal
- Handle configuration
- Castor sizes and configuration
- Design your own trolley